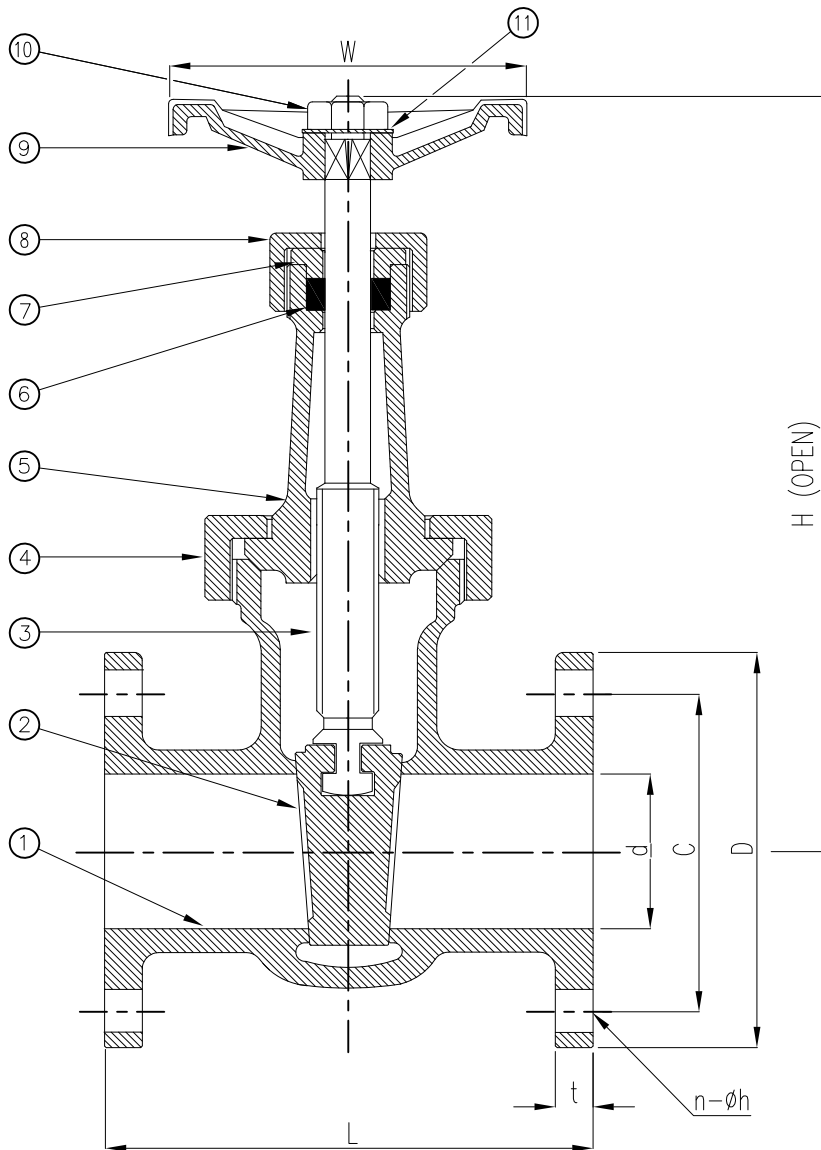


Wm. E. Williams No. 111F Class 150 Flanged Union Bonnet Gate Valve ASTM B62



BILL OF MATERIALS			
NO.	PART NAME	MATERIALS	Q'TY
1	BODY	ASTM B62	1
2	WEDGE	ASTM B62	1
3	STEM	ASTM B124	1
4	UNION NUT	ASTM B62	1
5	BONNET	ASTM B62	1
6	PACKING	TFE (SEE NOTE 1)	1
7	PACKING GLAND	ASTM B124	1
8	PACKING NUT	ASTM B62	1
9	HANDWHEEL	ASTM A126 Gr B	1
10	HANDWHEEL NUT	ASTM B16	1
11	WASHER	ASTM B16	1

NOTE:

1. ALSO AVAILABLE IN GRAPHITE. PLEASE SPECIFY WHEN ORDERING.

SIZE	d	L	D	C	t	H	n-øh	W
1/2	0.50	3.16	3.50	2.37	0.312	6.18	4-0.62	2.25
3/4	0.75	3.94	3.88	2.75	0.343	7.32	4-0.62	2.63
1	1.00	4.25	4.25	3.12	0.375	7.68	4-0.62	3.06
1-1/4	1.25	4.50	4.63	3.50	0.406	9.50	4-0.62	3.25
1-1/2	1.50	4.68	5.00	3.87	0.437	10.43	4-0.62	4.00
2	2.00	5.50	6.00	4.75	0.500	12.68	4-0.75	4.00
2-1/2	2.50	6.50	7.00	5.50	0.562	15.25	4-0.75	4.75
3	3.00	7.50	7.50	6.00	0.625	18.25	4-0.75	6.50
4	4.00	9.00	9.00	7.50	0.687	21.50	8-0.75	8.00



TITLE: BRONZE UNION BONNET GATE VALVE
CLASS 150 - FLANGED - ASTM B62

NO.	DATE	DESCRIPTION	PRP'D	REV'D	APP'D	APPLICABLE STANDARDS	INSPECTION & TEST: MSS-SP80	MATERIAL: ASTM B62	UNITS: Inch, mm
△	6/30/16	RELEASED PER P/L & DIM. UPDATES	F.J.	R.P.	R.P.	MSS-SP-6 MSS-SP-25	SHELL HYDRO 350PSI	CLASS: 150 DATE: 01/01/12	SCALE: N.T.S.
△	1/5/15	RELEASED PER UPDATED P/L	F.J.	R.P.	R.P.	MSS-SP-9 MSS-SP-82	SEAT AIR -	SIZE: 1/2" - 4"	FIG. No.: 111F
△	1/1/12	RELEASED	F.J.	R.P.	R.P.	DESIGNED ANSI B16.24	BACK SEAT HYDRO 225PSI	DRAWN BY: F.J.	
CHK'D & APR'D BY: R.P.		REV: 3		DWG No.: 20GA120002-20					