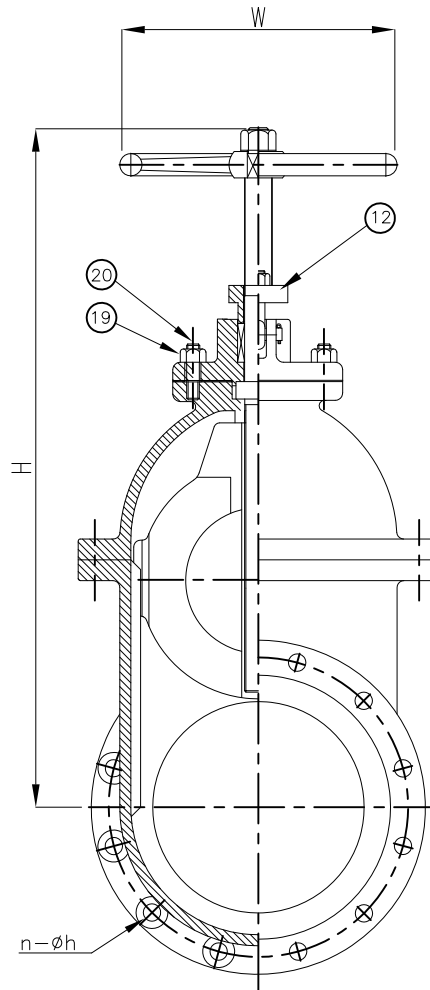
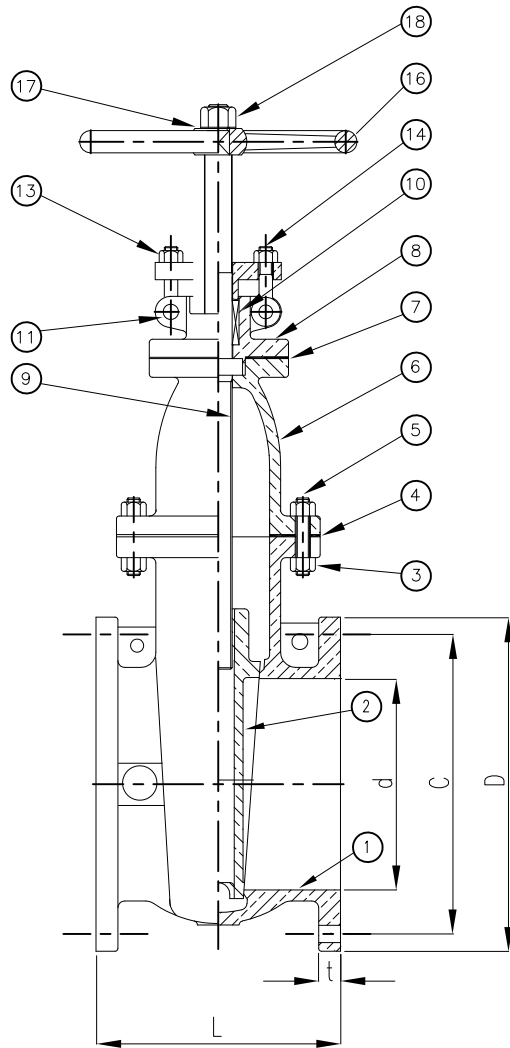


Wm. E. Williams No. 141F Class 150 Flanged Bolted Bonnet NRS Gate Valve ASTM B62



BILL OF MATERIALS

NO.	PART NAME	MATERIALS	Q'TY
1	BODY	ASTM B62	1
2	WEDGE	ASTM B62 (SEE NOTE 2 & 3)	1
3	BONNET NUT	ASTM B16	1 SET
4	GASKET	ASTM B62 (SEE NOTE 2)	1
5	BONNET BOLT	ASTM B16	1 SET
6	BONNET	ASTM B62	1
7	STUFFING BOX GASKET	TFE	1
8	STUFFING BOX	ASTM B62	1
9	STEM	ASTM B124	1
10	PACKING	TFE (SEE NOTE 2)	1 SET
11	HINGE PIN	ASTM B16	2
12	PACKING GLAND	ASTM B62	1
13	GLAND NUT	ASTM B16	2
14	GLAND BOLT	ASTM B16	2
16	HAND WHEEL	ASTM A216 GR WCB	1
17	WASHER	BRASS	1
18	HANDWHEEL NUT	ASTM B16	1
19	STUFFING BOX NUT	ASTM B16	1 SET
20	STUFFING BOX STUD	ASTM B16	1 SET

NOTE:

- STANDARD INTEGRAL SEAT.
- ALTERNATE MATERIALS AVAILABLE UPON REQUEST.
- SOLID WEDGE.

SIZE	L	d	D	C	t	H	n-øh	W
2.00	7.00	2.00	6.00	4.75	0.50	10.18	4-0.75	7.50
2.50	7.50	2.50	7.00	5.50	0.56	11.18	4-0.75	7.50
3.00	8.00	3.00	7.50	6.00	0.63	13.06	4-0.75	7.875
4.00	9.00	4.00	9.00	7.50	0.69	15.62	8-0.75	8.812
5.00	10.00	6.00	10.00	8.50	0.75	16.50	8-0.87	9.84
6.00	10.50	6.00	11.00	9.50	0.81	20.50	8-0.87	12.41
8.00	11.50	8.00	13.50	11.75	0.94	22.31	8-0.87	14.00
10.00	13.00	10.00	16.00	14.25	1.00	29.28	12-1.00	14.00
12.00	14.00	12.00	19.00	17.00	1.06	33.25	12-1.00	17.75



TITLE: BRONZE BOLTED BONNET NRS GATE VALVE
CLASS 150 - FLANGED - ASTM B62

NO.	DATE	DESCRIPTION	PRP'D	REV'D	APP'D	APPLICABLE STANDARDS	INSPECTION & TEST: MSS-SP80	MATERIAL: ASTM B62	UNITS: Inch, mm
Δ	5/4/16	RELEASED	F.J.	R.P.	R.P.	MSS-SP-6 MSS-SP-25	SHELL HYDRO 350PSI	CLASS: 150 DATE: 01/01/12	SCALE: N.T.S.
Δ	1/1/12	RELEASED	F.J.	R.P.	R.P.	MSS-SP-9 MSS-SP-82	SEAT AIR -	SIZE: 2" - 12"	FIG. No.: 141F
						DESIGNED ANSI B16.24	BACK SEAT HYDRO 225PSI	DRAWN BY: F.J.	
								CHK'D & APR'D BY: R.P.	REV: 2 DWG No.: 20GA120004-20