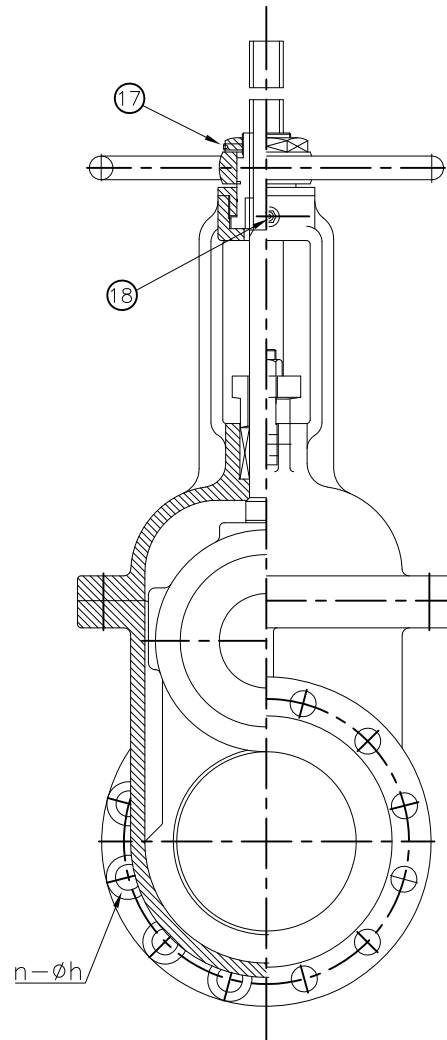
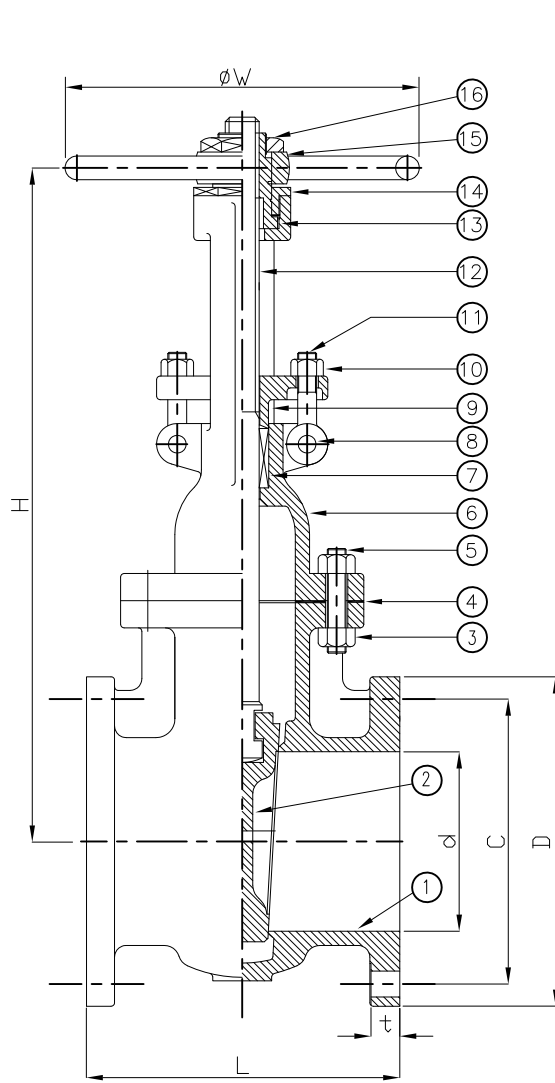


Wm. E. Williams No. 142F Class 150 Flanged OS&Y Bolted Bonnet Gate Valve ASTM B62



BILL OF MATERIALS

NO.	PART NAME	MATERIALS	Q'TY
1	BODY	ASTM B62	1
2	WEDGE	ASTM B62 (SEE NOTE 2 & 3)	1
3	BONNET STUD NUT	ASTM B16	1 SET
4	GASKET	NON-ASBESTOS (SEE NOTE 2)	1
5	BONNET STUD	ASTM B16	1 SET
6	BONNET	ASTM B62	1
7	PACKING	TFE (SEE NOTE 2)	1
8	GLAND EYE BOLT PIN	ASTM B16	2
9	GLAND FLANGE	ASTM B62	1
10	GLAND EYE BOLT NUT	ASTM B16	2
11	GLAND EYE BOLT	ASTM B16	2
12	STEM	ASTM B124	1
13	STEM NUT	ASTM B62	1
14	YOKE CAP NUT	ASTM B62	1
15	HAND WHEEL	ASTM A197	1
16	HANDWHEEL NUT	C/S 1020	1
17	SET SCREW	ALLOY STEEL	1
18	GREASNIPPLE	STEEL	1

NOTE:

- STANDARD INTEGRAL SEAT.
- ALTERNATE MATERIALS AVAILABLE UPON REQUEST.
- SOLID WEDGE.

SIZE	L	d	D	C	t	H	n-Øh	W
2.00	7.00	2.00	6.00	4.75	0.50	11.50	4-0.75	7.500
2.50	7.50	2.50	7.00	5.50	0.56	14.75	4-0.75	7.500
3.00	8.00	3.00	7.50	6.00	0.63	16.06	4-0.75	7.875
4.00	9.00	4.00	9.00	7.50	0.69	20.12	8-0.75	8.812
5.00	10.00	6.00	10.00	8.50	0.75	24.12	8-0.87	9.844
6.00	10.50	6.00	11.00	9.50	0.81	28.44	8-0.87	12.41
8.00	11.50	8.00	13.50	11.75	0.94	35.63	8-0.87	14.00
10.00	13.00	10.00	16.00	14.25	1.00	44.81	12-1.00	14.00
12.00	14.00	12.00	19.00	17.00	1.06	52.62	12-1.00	17.75


WILLIAMS
 VALVE CORPORATION
39-52 REVIEW AVENUE
 LONG ISLAND CITY, NY 11101
TEL: 718-392-1660
 FAX: 718-729-5106

TITLE: BRONZE BOLTED BONNET GATE VALVE
CLASS 150 - FLANGED - ASTM B62

NO.	DATE	DESCRIPTION	PRP'D	REV'D	APP'D	APPLICABLE STANDARDS	INSPECTION & TEST: MSS-SP80	MATERIAL: ASTM B62	UNITS: Inch, mm
△	6/30/16	RELEASED	F.J.	R.P.	R.P.	MSS-SP-6 MSS-SP-25	SHELL HYDRO 350PSI	CLASS: 150 DATE: 01/01/12	SCALE: N.T.S.
△	1/1/12	RELEASED	F.J.	R.P.	R.P.	MSS-SP-9 MSS-SP-82	SEAT AIR -	SIZE: 2" - 12"	FIG. No.: 142F
						DESIGNED ANSI B16.24	BACK SEAT HYDRO 225PSI	DRAWN BY: F.J.	
								CHK'D & APR'D BY: R.P.	REV: 2 DWG No.: 20GA120003-20