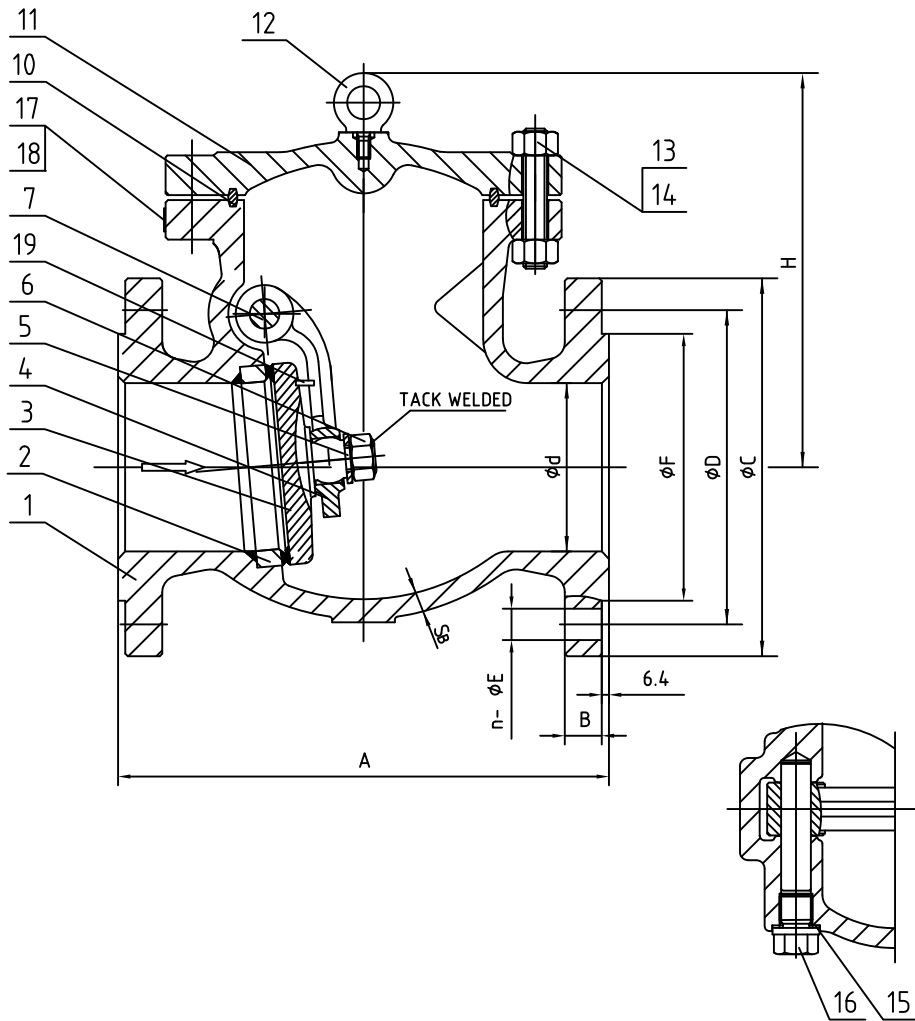


# Wm. E. Williams No. 1501F62N Class 1500 RF Swing Check Valve ASTM A216 WCB (API Trim 12) NACE



ITEM	NAME	MATERIAL	SPECIFICATION	NOTE
1	BODY	CAST STEEL	ASTM A216-WCB	NACE
2	BODY RING	CARBON STEEL	ASTM A105+HF	
3	DISC	CARBON STEEL	ASTM A105+316	
4	HINGE	CAST STEEL	ASTM A216-WCB	
5	GASKET	STAINLESS STEEL	ASTM A276-316	
6	NUT	STAINLESS STEEL	ASTM A276-316	
7	PIN	STAINLESS STEEL	ASTM A276-316	
10	GASKET, RING JIONT	STEEL	SS316	
11	BONNET	CAST STEEL	ASTM A216-WCB	
12	EYEBOLT	CARBON STEEL	ASTM A29-1035	
13	NUT	STEEL	ASTM A194-2HM	
14	BOLT	STEEL	ASTM A193-B7M	
15	GASKET	STAINLESS STEEL	ASTM A276-304	
16	PLUG	STAINLESS STEEL	ASTM A276-410	
17	NAMEPLATE	STAINLESS STEEL	304SS	
18	RIVET	STAINLESS STEEL	304SS	
19	PIN	CARBON STEEL	ASTM A29-1020	

SIZE	d	A	B	C	D	n	E	F	H	S <sub>b</sub>
3"	70	470	48	267	203.2	8	32	127	324	23.9
6"	136	705	83	394	317.5	12	39	216	467	38.1
8"	178	832	92.9	483	393.7	12	45	270	530	47.8
10"	222	991	108	585	482.6	12	51	324	567	57.2

OTHER SIZES AVAILABLE.

WILLIAM E. WILLIAMS VALVE CORPORATION  
 38-52 REVIEW AVENUE LONG ISLAND CITY, NY 11101  
 TEL: 718-392-1660 FAX: 718-729-5106  
 WWW.WILLIAMSVALVE.COM

TITLE: CAST STEEL SWING CHECK VALVE  
 CLASS 1500 - API TRIM 12 - BC. RF

						MARKING SYSTEM	MSS-SP-25	INSPECTION & TEST: API 598			MATERIAL: ASTM A216 GR.WCB	UNITS: Inch, mm	
						DIM.OF FLANGE	ANSI B16.5	SHELL	HYDRO	5590PSI	CLASS: 1500	DATE: 03/31/15	SCALE: N.T.S.
						FACE TO FACE	ANSI B16.10	SEAT	AIR	N/A	SIZE: 3" - 10"	FIG. No.:	1501F-62N
						WALL THICKNESS	ANSI B16.34	HPC SEAT	HYDRO	4100PSI	DRAWN BY: F.J.		
NO.	DATE	DESCRIPTION	PRP'D	REV'D	APP'D	DESIGNED	API 594, ANSI B16.34	NACE MR0175	CHK'D & APR'D BY: R.P.	REV: 1	DWG No.:	60SC120205-28	