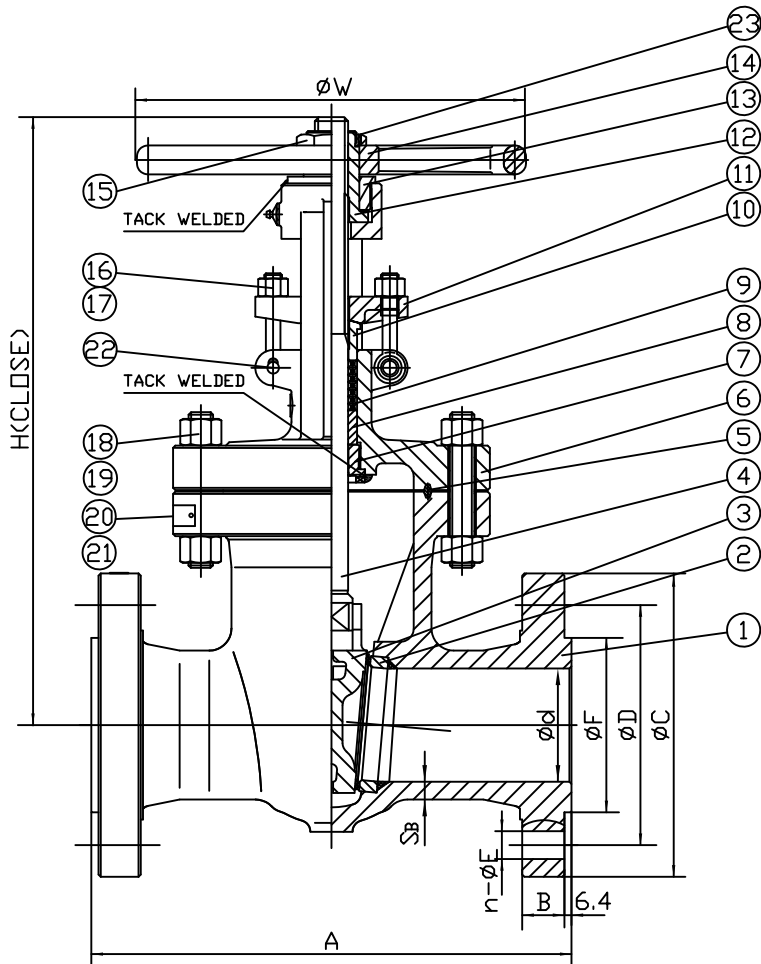


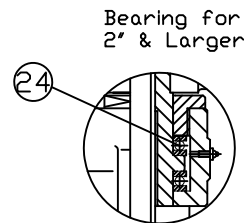
Wm. E. Williams No. 150F2N Class 1500 RF OS&Y Gate Valve ASTM A216 WCB (API Trim 8) NACE



ITEM	NAME	MATERIAL	SPECIFICATION	NOTE
1	BODY	CAST STEEL	ASTM A216-WCB	
2	BODY RING	CARBON STEEL	ASTM A105+HF	
3	GATE	CAST STEEL	ASTM A216-WCB+13%Cr	
4	STEM	STAINLESS STEEL	ASTM A182-F6a	
5	GASKET,RING JOINT	STEEL	08F	
6	BONNET	CAST STEEL	ASTM A216-WCB	
7	BACKSEAT	STAINLESS STEEL	ASTM A276-410	
8	PACKING CUSHION	STAINLESS STEEL	ASTM A276-410	
9	PACKING RING	INCONEL WIRE WITH GRAPHITE		
10	GLAND	STAINLESS STEEL	ASTM A276-410	
11	GLAND FLANGE	CAST STEEL	ASTM A216-WCB	NACE
12	STEM NUT	NODULAR CAST IRON	ASTM A439 D-2	
13	GLAND NUT	CARBON STEEL	ASTM A29-1035	
14	HANDWHEEL	NODULAR CAST IRON		
15	HANDWHEEL NUT	CARBON STEEL	ASTM A29-1035	
16	EYE BOLT	STEEL	ASTM A193-B7M	
17	EYE BOLT NUT	STEEL	ASTM A194-2HM	
18	BONNET BOLT	STEEL	ASTM A193-B7M	
19	BONNET NUT	STEEL	ASTM A194-2HM	
20	NAMEPLATE	STAINLESS STEEL	304SS	
21	RIVET	STAINLESS STEEL	304SS	
22	PIN	CARBON STEEL	ASTM A29-1035	
23	SCREW	CARBON STEEL		
24	BEARING	STEEL		

NOTE:

1. FLEXIBLE WEDGE



SIZE	d	A	B	C	D	n	E	F	H	W	S _B
2"	47	368	38.5	216	165.1	8	26	92	405	250	19.1
3"	70	470	48	267	203.2	8	32	127	510	350	24
4"	92	546	54	311	241.3	8	35	157	557	400	28.7
6"	136	705	83	394	317.5	12	39	216	824	560	38.1

Remark: Larger sizes available upon request



TITLE: CAST STEEL GATE VALVE
CLASS 1500 - API TRIM 8 - R,F B,B OS&Y

					MARKING SYSTEM	MSS-SP-25	INSPECTION & TEST: API 598			MATERIAL: ASTM A216 GR.WCB		UNITS: Inch, mm
					DIM.OF FLANGE	ANSI B16.5	SHELL	HYDRO	5598PSI	CLASS: 1500	DATE: 03/05/15	SCALE: N.T.S.
					FACE TO FACE	ANSI B16.10	SEAT	AIR	80PSI	SIZE: 2" - 6"		FIG.No.: 150F-2N
					WALL THICKNESS	API 600	BACK SEAT	HYDRO	4100PSI	DRAWN BY: F.J.		
					NO. DATE	DESCRIPTION	PRP'D	REV'D	APP'D	DESIGNED	API 600, ANSI B16.34	NACE MR 0175
										CHK'D & APR'D BY: R.P.	REV: 1	DWG No.: 60GA120058-28