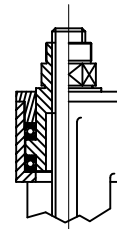
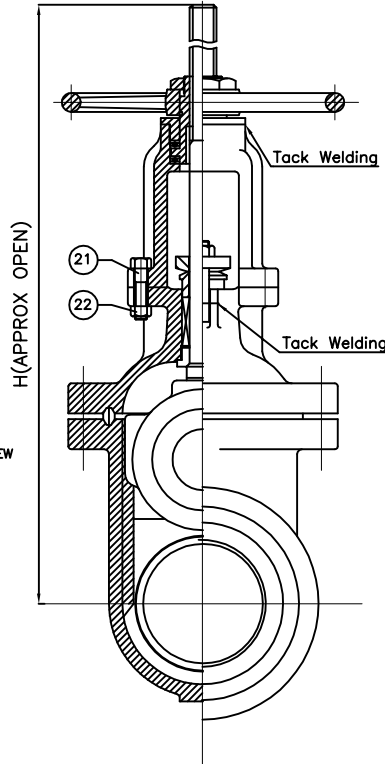
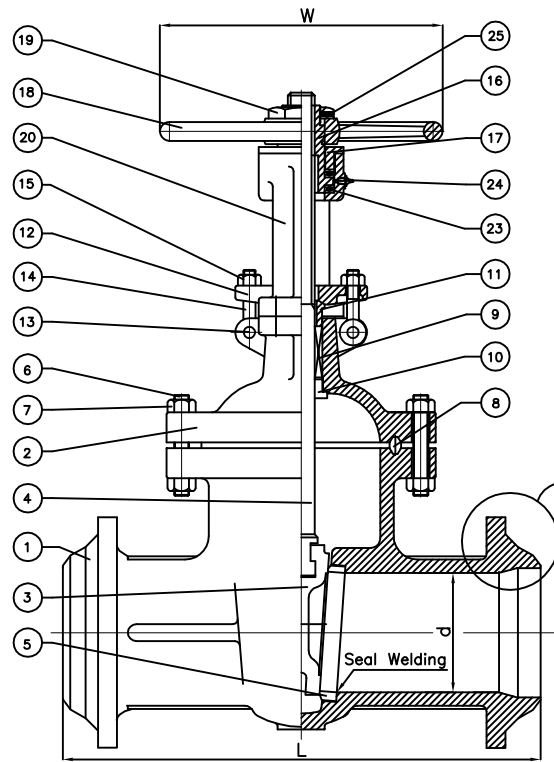
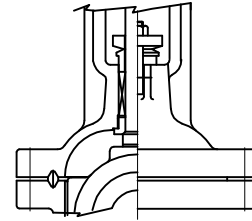


# Wm. E. Williams No. 150W2N Class 1500 BW OS&Y Gate Valve ASTM A 216 WCB (API Trim 8) NACE



THRUST BALL BEARING FOR 6" AND ABOVE



ONE PIECE BONNET 2"-8"

## BILL OF MATERIALS

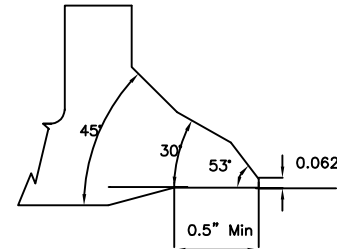
NO.	PART NAME	MATERIALS	Q'TY
1	BODY	A216 Gr WCB	1
2	BONNET	A216 Gr WCB	1
3	WEDGE	A216 Gr WCB W/13Cr Welding	1
4	STEM	A479 Gr 410 (13Cr)	1
5	SEAT RING	A105N + HF	2
6	BONNET BOLT	A193 Gr B7M	1SET
7	BONNET NUT	A194 Gr 2HM	1SET
8	GASKET	METAL	1
9	PACKING	GRAPHITE WITH CORROSION INHIBITOR AND DIE FORMED RINGS	1SET
10	BACK SEAT	A479 Gr 410	1
11	GLAND RING	A479 Gr 410	1
12	GLAND FLANGE	WCB	1
13	GLAND BOLT PIN	A105N	2
14	GLAND BOLT	A193 Gr B7M	2
15	GLAND NUT	A194 Gr 2HM	2
16	YOKE SLEEVE	A439 Gr D2C	1
17	SLEEVE NUT	WCB	1
18	HAND WHEEL	A197	1
19	HANDLE NUT	WCB	1
20	YOKE	A216 Gr WCB	1
21	YOKE BOLT	A193 Gr B7M	4
22	YOKE BOLT NUT	A194 Gr 2HM	4
23	BEARING	STEEL	2
24	NIPPLE	STEEL	1
25	SET SCREW	STEEL	1

NOTE:

- SPECIFY PIPE SCHEDULE No. REQUIRED.
- FLEXIBLE WEDGE

SIZE	d	L	H	W
2.00	1.88	14.50	21.50	11.50
3.00	2.75	18.50	27.12	14.00
4.00	3.62	21.50	31.50	20.00
6.00	5.38	27.75	45.00	24.00
8.00	7.00	32.75	53.50	27.00
10.00	8.75	39.00	65.00	35.50
12.00	10.38	44.50	74.00	43.00
14.00	11.38	49.50	83.50	51.00
16.00	13.00	54.50	88.00	63.00

\*Larger sizes available upon request.



A-VIEW

WILLIAM E. WILLIAMS VALVE CORPORATION  
 28-52 REVIEW AVENUE, LONG ISLAND CITY, NY 11101  
 TEL: 718-392-1660 FAX: 718-729-5166

TITLE: CAST STEEL GATE VALVE  
 CLASS 1500 - API TRIM 8 - B,B OS&Y, BUTTWELD END

MARKING SYSTEM	MSS-SP-25	INSPECTION & TEST:	API 598	MATERIAL:	ASTM A216 GR.WCB	UNITS:	Inch, mm				
BUTTWELDING END	ANSI B16.25	SHELL	HYDRO	5598PSI	CLASS:	1500	DATE:	01/01/12	SCALE:	N.T.S.	
FACE TO FACE	ANSI B16.10	SEAT	AIR	80PSI	SIZE:	2" - 16"	FIG. No.:	150W-2N			
WALL THICKNESS	API 600	BACK SEAT	HYDRO	4100PSI	DRAWN BY:	F.J.	CHK'D & APR'D BY:	R.P.	REV:	1	
NO.	DATE	DESCRIPTION	PRP'D	REV'D	APP'D	DESIGNED	API 600, ANSI B16.34	NACE MR	0175	DWG No.:	60GA120062