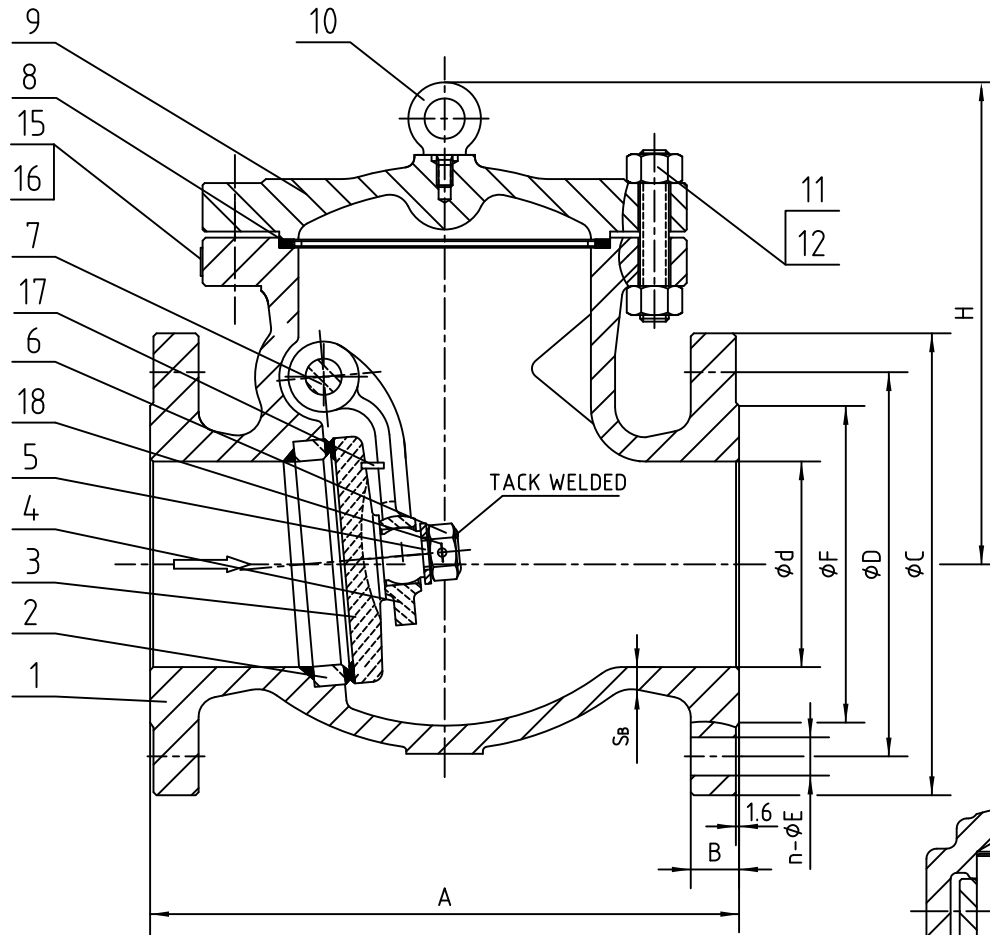


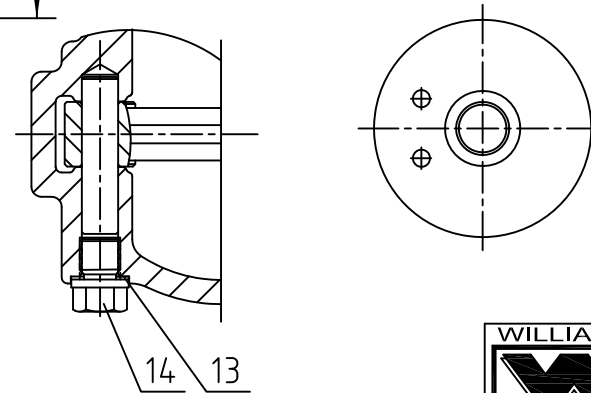
Wm. E. Williams No. 151F4AB Class 150 RF Swing Check Valve A216 WCB (Aluminum Bronze Trim)



| BILL OF MATERIAL | | |
|------------------|-----------|-----------------------|
| ITEM | NAME | MATERIAL |
| 1 | BODY | ASTM A216-WCB |
| 2 | BODY RING | ASTM A105+ALUM BRONZE |
| 3 | DISC | ASTM A105+ALUM BRONZE |
| 4 | HINGE | ASTM A216-WCB |
| 5 | GASKET | ASTM A276-410 |
| 6 | NUT | ASTM A276-410 |
| 7 | PIN | ALUMINUM BRONZE |
| 8 | GASKET | SS304+GRAPHITE |
| 9 | BONNET | ASTM A216-WCB |
| 10 | EYEBOLT | ASTM A29-1035 |
| 11 | NUT | ASTM A194-2H |
| 12 | BOLT | ASTM A193-B7 |
| 13 | GASKET | ASTM A276-304 |
| 14 | PLUG | ASTM A276-410 |
| 15 | NAMEPLATE | 304SS |
| 16 | RIVET | 304SS |
| 17 | PIN | ASTM A29-1020 |
| 18 | PIN | 316SS |

| SIZE | d | A | B | C | D | n | E | F | H | S _b |
|--------|-----|-----|------|-----|-------|----|----|-------|-----|----------------|
| 2" | 51 | 203 | 16 | 152 | 120.7 | 4 | 19 | 92.1 | 137 | 9 |
| 2-1/2" | 64 | 216 | 17.5 | 178 | 139.7 | 4 | 19 | 104.8 | 157 | 9.5 |
| 3" | 76 | 241 | 19 | 190 | 152.4 | 4 | 19 | 127 | 170 | 10.3 |
| 4" | 102 | 292 | 24 | 229 | 190.5 | 8 | 19 | 157.2 | 229 | 11.1 |
| 5" | 127 | 330 | 24 | 254 | 215.9 | 8 | 22 | 185.7 | 269 | 11.9 |
| 6" | 152 | 356 | 26 | 279 | 241.3 | 8 | 22 | 215.9 | 273 | 11.9 |
| 8" | 203 | 495 | 29 | 343 | 298.5 | 8 | 22 | 269.9 | 341 | 12.7 |
| 10" | 254 | 622 | 31 | 406 | 362 | 12 | 25 | 323.8 | 403 | 14.3 |
| 12" | 305 | 698 | 32 | 483 | 431.8 | 12 | 25 | 381 | 471 | 15.8 |
| 14" | 337 | 787 | 35 | 533 | 476.3 | 12 | 29 | 412.8 | 510 | 16.6 |
| 16" | 387 | 864 | 37 | 597 | 539.8 | 16 | 29 | 469.9 | 580 | 17.5 |

Stop pin position in Disc



WILLIAM E. WILLIAMS VALVE CORPORATION
 38-52 REVIEW AVENUE LONG ISLAND CITY, NY 11101
 TEL: 718-392-1660 FAX: 718-729-5106
 WWW.WILLIAMSVALVE.COM

TITLE: CAST STEEL SWING CHECK VALVE
 CLASS 150 - ALUMINUM BRONZE TRIM - BOLTED COVER

| NO. | DATE | DESCRIPTION | PRP'D | REV'D | APP'D | DESIGNED | MARKING SYSTEM | MSS-SP-25 | INSPECTION & TEST: API 598 | MATERIAL: ASTM A216 GR.WCB | UNITS: Inch, mm | |
|-----|---------|-------------|-------|-------|-------|----------|----------------|----------------------|----------------------------|----------------------------|-----------------|------------------------|
| Δ | 7/18/16 | RELEASED | F.J. | R.P. | R.P. | | DIM.OF FLANGE | ANSI B16.5 | SHELL HYDRO 450PSI | CLASS: 150 | DATE: 06/12/15 | SCALE: N.T.S. |
| Δ | 6/12/15 | RELEASED | F.J. | R.P. | R.P. | | FACE TO FACE | ANSI B16.10 | SEAT AIR N/A | SIZE: 2" - 16" | | FIG. No.: 151F-4AB |
| | | | | | | | WALL THICKNESS | ANSI B16.34 | HPC SEAT HYDRO 315PSI | DRAWN BY: F.J. | | |
| | | | | | | | | API 594, ANSI B16.34 | | CHK'D & APR'D BY: R.P. | REV: 2 | DWG No.: 60SC120142-28 |