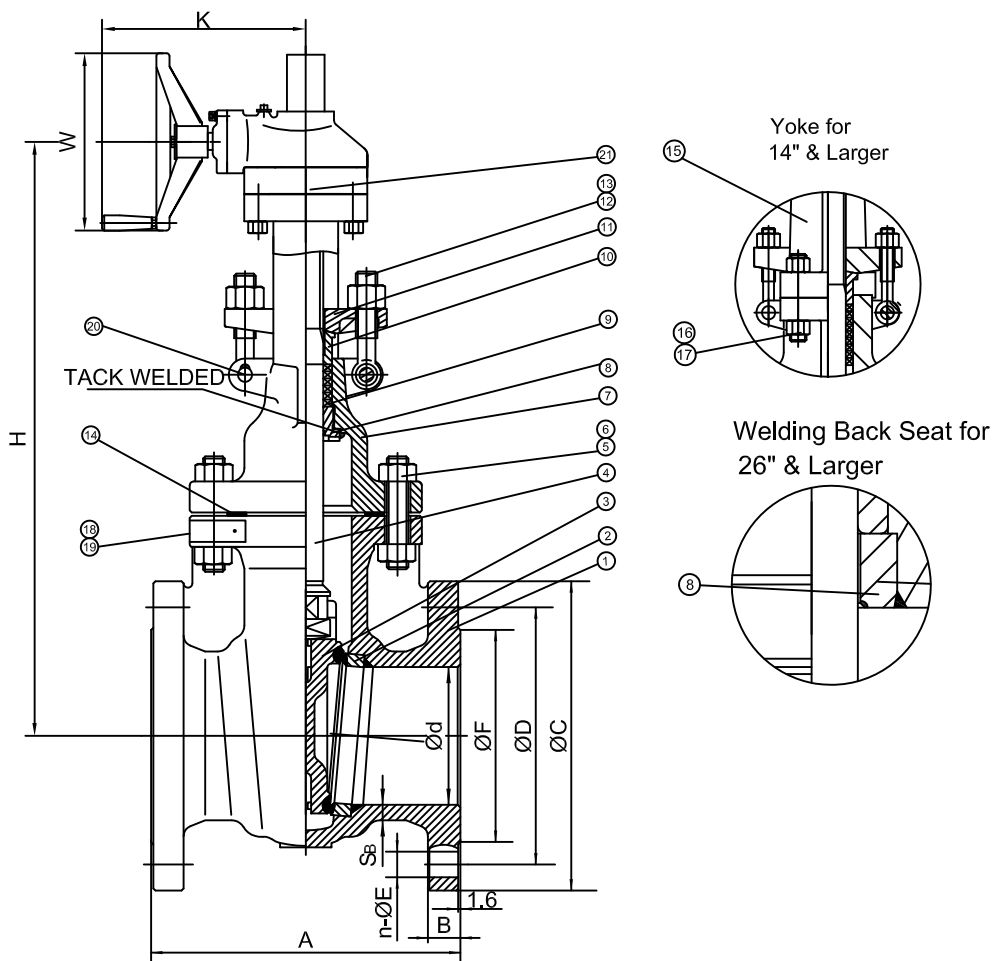


Wm. E. Williams No. 15F2N GO Class 150 RF OS&Y Gate Valve ASTM A216 WCB (API Trim 8) NACE



ITEM	NAME	MATERIAL	SPECIFICATION	NOTE
1	BODY	CAST STEEL	ASTM A216-WCB	NACE
2	BODY RING	CARBON STEEL	ASTM A105+HF	
3	GATE	CAST STEEL	ASTM A216-WCB+13%Cr	
4	STEM	STAINLESS STEEL	ASTM A182-F6a	
5	BONNET BOLT	STEEL	ASTM A193-B7M	
6	BONNET NUT	STEEL	ASTM A194-2HM	
7	BONNET	CAST STEEL	ASTM A216-WCB	
8	BACKSEAT	STAINLESS STEEL	ASTM A276-410	
9	PACKING RING	GRAPHITE		
10	GLAND	STAINLESS STEEL	ASTM A276-410	
11	GLAND FLANGE	CAST STEEL	ASTM A216-WCB	
12	EYE BOLT	STEEL	ASTM A193-B7M	
13	EYE BOLT NUT	STEEL	ASTM A194-2HM	
14	GASKET		08F+GRAPHITE	
15	YOKE	CAST STEEL	ASTM A216-WCB	
16	YOKE BOLT	STEEL	ASTM A193-B7M	
17	YOKE NUT	STEEL	ASTM A194-2HM	
18	NAMEPLATE	STAINLESS STEEL	304SS	
19	RIVET	STAINLESS STEEL	304SS	
20	PIN	CARBON STEEL	ASTM A29-1035	
21	GEAR			

NOTE:

1. FLEXIBLE WEDGE

SIZE	d	A	B	C	D	n	E	F	H	W	K	S _b
6"	152	267	26	279	241.5	8	22	216	609	310	310	17
8"	203	292	29	343	298.5	8	22	270	747	310	310	17.5
10"	254	330	31	406	362	12	25	324	879	310	310	18.5
12"	305	366	32	483	432	12	25	381	1038	460	345	19.1
14"	337	381	35	533	476	12	29	413	1160	460	345	17
16"	387	406	37	597	540	16	29	470	1299	460	345	17.5
18"	438	432	40	635	578	16	32	533	1439	610	420	18.5
20"	489	457	43	699	635	20	32	584	1593	610	420	19.1
24"	591	508	48	813	749.5	20	35	692	1850	610	420	20.6
26"	641	559	68	870	806.5	24	35	749	2045	710	500	21.7
28"	692	610	71	927	863.6	28	35	800	2248	710	500	23
30"	743	610	74.7	984	914.4	28	35	857	2316	710	500	23.4
32"	781	660	81	1060.5	977.9	28	41	914	2510	710	500	24
36"	876	711	90.5	1168	1086	32	41	1022	2512	800	605	25.9
40"	978	762	90.4	1289.1	1200	36	41	1124	3013	800	605	27.7
42"	1022	787	97	1346	1257.5	36	41	1194	3297	800	605	28.5
48"	1168	864	108	1511	1422.4	44	41	1359	3632	800	605	30

Remark: Larger sizes available upon request

NO.	DATE	DESCRIPTION	PRP'D	REV'D	APP'D	MARKING SYSTEM	MSS-SP-25	INSPECTION & TEST: API 598	MATERIAL: ASTM A216 GR.WCB	UNITS: Inch, mm
						DIM.OF FLANGE	ANSI B16.5	SHELL HYDRO 450PSI	CLASS: 150	SCALE: N.T.S.
						FACE TO FACE	ANSI B16.10	SEAT AIR 80PSI	DATE: 01/01/12	FIG. No.:
						WALL THICKNESS	API 600	BACK SEAT HYDRO 315PSI	SIZE: 2" - 48"	15F-2N GO
						DESIGNED	API 600, ANSI B16.34	NACE MR 0175	DRAWN BY: F.J.	
									CHK'D & APR'D BY: R.P.	REV: 1
										DWG No.: 60GA120041-28

WILLIAM E. WILLIAMS VALVE CORPORATION
 38-52 REVIEW AVENUE LONG ISLAND CITY, NY 11101
 TEL: 718-392-1660 FAX: 718-729-5106

TITLE: CAST STEEL GATE VALVE CLASS 150- API TRIM 8 - GEAR OPERATED