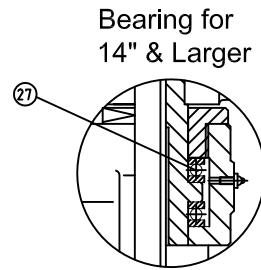
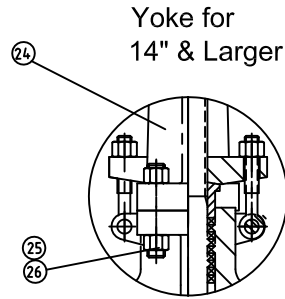
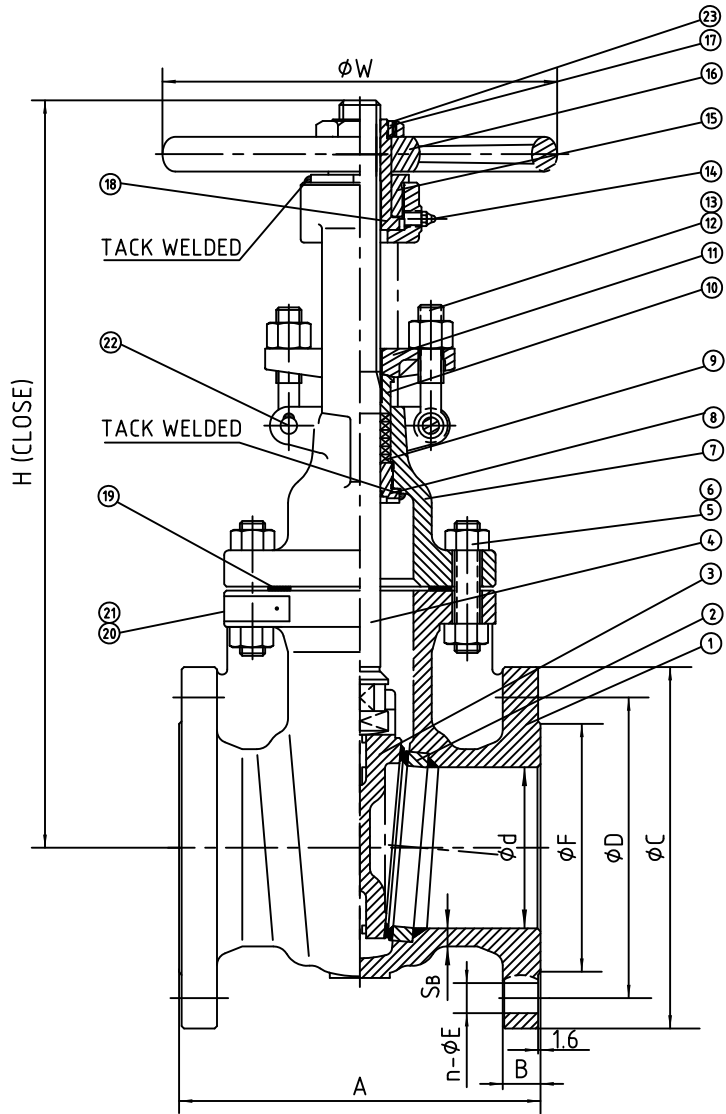


Wm. E. Williams No. 15F4AB Class 150 RF OS&Y Gate Valve ASTM A216 WCB (ALUMINUM BRONZE TRIM)



BILL OF MATERIALS

ITEM	PART	MATERIAL
1	BODY	ASTM A216-WCB
2	BODY RING	ASTM A105+ALUM BRONZE
3	GATE	ASTM A216-WCB+ALUM BRONZE
4	STEM	ALUMINUM BRONZE
5	BONNET BOLT	ASTM A193-B7
6	BONNET NUT	ASTM A194-2H
7	BONNET	ASTM A216-WCB
8	BACKSEAT	ASTM A276-410
9	PACKING RING	GRAPHITE
10	GLAND	ASTM A276-410
11	GLAND FLANGE	ASTM A216-WCB
12	EYE BOLT	ASTM A193-B7
13	EYE BOLT NUT	ASTM A194-2H
14	OILFILLER	ASTM A570 Gr.A
15	GLAND NUT	ASTM A29-1035
16	HANDWHEEL	NODULAR CAST IRON
17	HANDWHEEL NUT	ASTM A29-1035
18	STEM NUT	ASTM A439 D-2
19	GASKET	304+GRAPHITE
20	NAMEPLATE	304SS
21	RIVET	304SS
22	PIN	ASTM A29-1035
23	SCREW	CARBON STEEL
24	YOKE	ASTM A216-WCB
25	YOKE BOLT	ASTM A193-B7
26	YOKE NUT	ASTM A194-2H
27	BEARING	STEEL

SIZE	d	A	B	C	D	n	E	F	H	W	S _b
2"	51	178	16	152	120.7	4	19	92.1	322	200	8.6
2-1/2"	64	190	17.5	178	139.7	4	19	104.8	354	200	9.5
3"	76	203	19	190	152.4	4	19	127	391	250	10.5
4"	102	229	24	229	190.5	8	19	157.2	465	250	11.5
5"	127	254	24	254	215.9	8	22	185.7	538	300	12
6"	152	267	26	279	241.3	8	22	215.9	590	300	12
8"	203	292	29	343	298.5	8	22	269.9	729	350	12.7
10"	254	330	31	406	362	12	25	323.8	885	400	14.5
12"	305	356	32	483	431.8	12	25	381	1013	450	16
14"	337	381	35	533	476.3	12	29	412.8	1151	500	17
16"	387	406	37	597	539.8	16	29	469.9	1305	560	17.5

WILLIAM E. WILLIAMS VALVE CORPORATION
 38-52 REVIEW AVENUE LONG ISLAND CITY, NY 11101
 TEL: 718-392-1660 FAX: 718-729-5106

TITLE: CAST STEEL GATE VALVE
 CLASS 150 - ALUMINUM BRONZE TRIM- RF, BB, OS&Y

MATERIAL: ASTM A216 GR.WCB	UNITS: Inch, mm
CLASS: 150	DATE: 06/12/15
SCALE: 2" - 16"	SCALE: N.T.S.
DRAWN BY: F.J.	FIG. No.: 15F-4AB
CHK'D & APR'D BY: R.P.	REV: 1 DWG No.: 60GA120139-28

MARKING SYSTEM	MSS-SP-25	INSPECTION & TEST:	API 598
DIM.OF FLANGE	ANSI B16.5	SHELL	HYDRO 450PSI
FACE TO FACE	ANSI B16.10	SEAT	AIR 80PSI
WALL THICKNESS	API 600	BACK SEAT	HYDRO 315PSI
DESIGNED	API 600, ANSI B16.34		

NO.	DATE	DESCRIPTION	PRP'D	REV'D	APP'D
Δ	6/12/15	RELEASED	F.J.	R.P.	R.P.