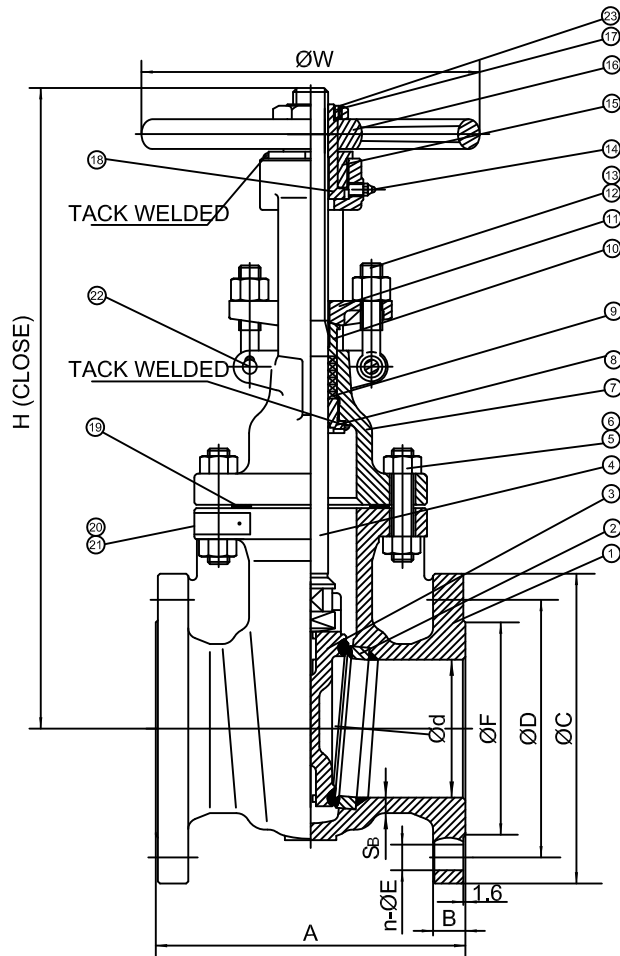
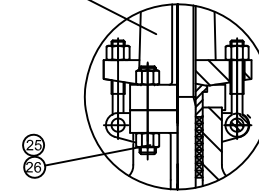


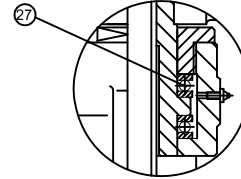
Wm. E. Williams No. 15F62N Class 150 RF OS&Y Gate Valve ASTM A216 WCB (API Trim 12) NACE



Yoke for 14" & Larger



Bearing for 14" & Larger



ITEM	NAME	MATERIAL	SPECIFICATION	NOTE
1	BODY	CAST STEEL	ASTM A216-WCB	NACE
2	BODY RING	CARBON STEEL	ASTM A105+HF	
3	GATE	CAST STEEL	ASTM A216-WCB+316	
4	STEM	STAINLESS STEEL	ASTM A182-F316	
5	BONNET BOLT	STEEL	ASTM A193-B7M	
6	BONNET NUT	STEEL	ASTM A194-2HM	
7	BONNET	CAST STEEL	ASTM A216-WCB	
8	BACKSEAT	STAINLESS STEEL	ASTM A276-316	
9	PACKING RING	GRAPHITE		
10	GLAND	STAINLESS STEEL	ASTM A276-316	
11	GLAND FLANGE	CAST STEEL	ASTM A216-WCB	
12	EYE BOLT	STEEL	ASTM A193-B7M	
13	EYE BOLT NUT	STEEL	ASTM A194-2HM	
14	OILFILLER	STEEL	ASTM A570 Gr.A	
15	GLAND NUT	CARBON STEEL	ASTM A29-1035	
16	HANDWHEEL	NODULAR CAST IRON		
17	HANDWHEEL NUT	CARBON STEEL	ASTM A29-1035	
18	STEM NUT	NODULAR CAST IRON	ASTM A439 D-2	
19	GASKET		316+GRAPHITE	
20	NAMEPLATE	STAINLESS STEEL	304SS	
21	RIVET	STAINLESS STEEL	304SS	
22	PIN	CARBON STEEL	ASTM A29-1035	
23	SCREW	CARBON STEEL		
24	YOKE	CAST STEEL	ASTM A216-WCB	
25	YOKE BOLT	STEEL	ASTM A193-B7M	
26	YOKE NUT	STEEL	ASTM A194-2HM	
27	BEARING	STEEL		

NOTE:

1. FLEXIBLE WEDGE

SIZE	d	A	B	C	D	n	E	F	H	W	S _B
2"	51	178	16	152	120.5	4	19	92	322	200	8.6
2.5"	64	191	17.5	178	139.5	4	19	105	354	200	9.7
3"	76	203	19	190	152.5	4	19	127	391	250	10.5
4"	102	229	24	229	190.5	8	19	157	465	250	11.5
5"	127	254	24	254	216	8	22	186	532	300	11.9
6"	152	267	26	279	241.5	8	22	216	590	300	12
8"	203	292	29	343	298.5	8	22	270	729	350	12.7
10"	254	330	31	406	362	12	25	324	869	400	14.5
12"	305	356	32	483	432	12	25	381	1013	450	16
14"	337	381	35	533	476	12	29	413	1151	500	17
16"	387	406	37	597	540	16	29	470	1305	560	17.5
18"	438	432	40	635	578	16	32	533	1433	640	18.5
20"	489	457	43	699	635	20	32	584	1598	640	19.1
24"	591	508	48	813	749.5	20	35	692	1858	720	20.6

Remark: Larger sizes available upon request

WILLIAM E. WILLIAMS VALVE CORPORATION
 38-52 REVIEW AVENUE LONG ISLAND CITY, NY 11101
 TEL: 718-392-1660 FAX: 718-729-5165

TITLE: CAST STEEL GATE VALVE CLASS 150 - API TRIM 12 - RF, BB, OS&Y		MATERIAL: ASTM A216 GR.WCB	UNITS: Inch, mm
CLASS: 150	DATE: 01/01/12	SCALE: N.T.S.	FIG. No.: 15F-62N
SIZE: 2" - 24"	DRAWN BY: F.J.	CHK'D & APP'R'D BY: R.P.	REV: 1
MARKING SYSTEM	MSS-SP-25	INSPECTION & TEST: API 598	
DIM.OF FLANGE	ANSI B16.5	SHELL	HYDRO 450PSI
FACE TO FACE	ANSI B16.10	SEAT	AIR 80PSI
WALL THICKNESS	API 600	BACK SEAT	HYDRO 315PSI
DESIGNED	API 600, ANSI B16.34	NACE MR 0175	

NO.	DATE	DESCRIPTION	PRP'D	REV'D	APP'D
Δ	1/1/12	RELEASED	F.J.	R.P.	R.P.

MARKING SYSTEM	MSS-SP-25	INSPECTION & TEST: API 598	MATERIAL: ASTM A216 GR.WCB	UNITS: Inch, mm
DIM.OF FLANGE	ANSI B16.5	SHELL	HYDRO 450PSI	CLASS: 150
FACE TO FACE	ANSI B16.10	SEAT	AIR 80PSI	DATE: 01/01/12
WALL THICKNESS	API 600	BACK SEAT	HYDRO 315PSI	SCALE: N.T.S.
DESIGNED	API 600, ANSI B16.34	NACE MR 0175		FIG. No.: 15F-62N
			CHK'D & APP'R'D BY: R.P.	REV: 1
				DWG No.: 60GA120013-28