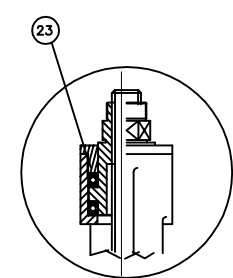
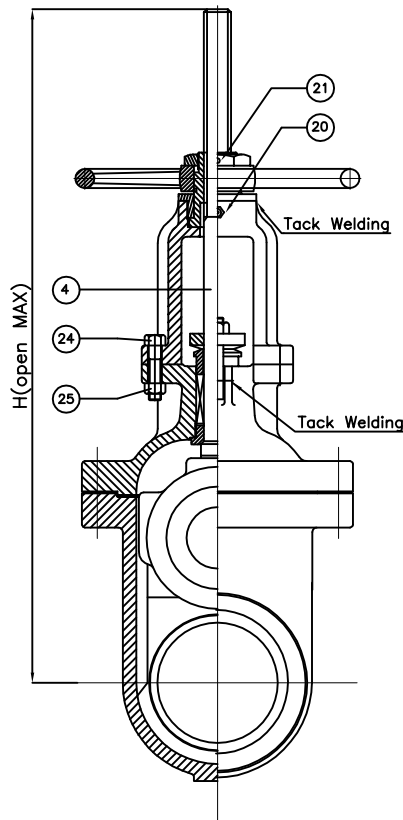
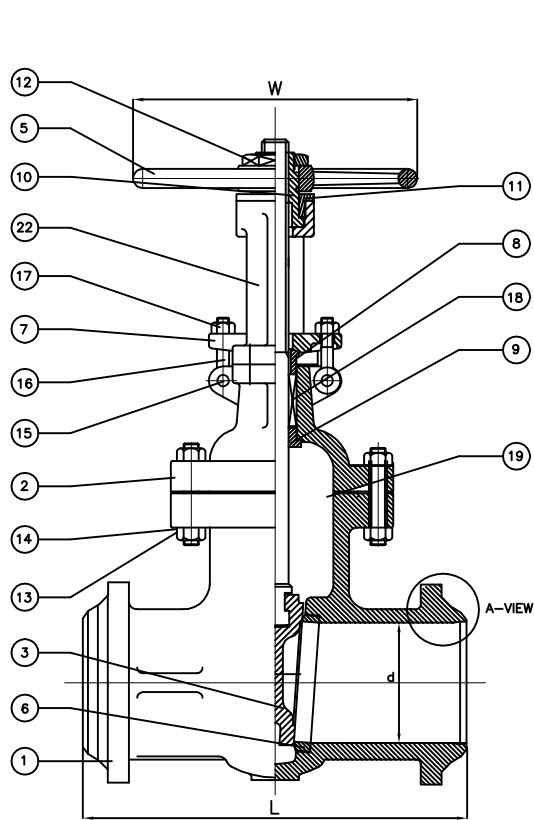
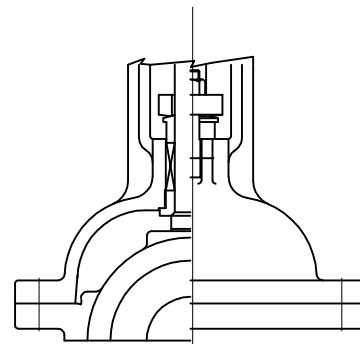


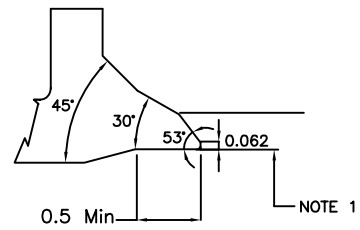
Wm. E. Williams No. 15W2N Class 150 BW OS&Y Gate Valve ASTM A 216 WCB (API Trim 8) NACE



THRUST BALL BEARINGS
14" AND ABOVE



ONE PIECE BONNET
USED FOR 2"-8"



A-VIEW

NOTE 1

BILL OF MATERIALS

NO.	PART NAME	MATERIALS	Q'TY
1	BODY	A216Gr WCB	1
2	BONNET	A216Gr WCB	1
3	WEDGE	A216Gr WCB W/13Cr Welding	1
4	STEM	A479Gr 410 (13Cr)	1
5	HAND WHEEL	A197	1
6	SEAT RING	A105N + HF	2
7	GLAND FLANGE	WCB	1
8	GLAND RING	A479Gr 410	1
9	BACK SEAT	A479Gr 410	1
10	YOKE SLEEVE	A439Gr D2C	1
11	SLEEVE NUT	WCB	1
12	HANDLE NUT	WCB	1
13	BONNET BOLT	A193Gr B7M	1SET
14	BONNET NUT	A194Gr 2HM	1SET
15	GLAND BOLT PIN	A105N	2
16	GLAND BOLT	A193Gr B7M	2
17	GLAND NUT	A194Gr 2HM	2
18	PACKING	GRAPHITE WITH CORROSION INHIBITOR AND DIE FORMED RINGS	1SET
19	GASKET	METAL	1
20	NIPPLE	STEEL	1
21	SET SCREW	STEEL	1
22	YOKE	A216 Gr WCB	1
23	BEARING	STEEL	2
24	YOKE BOLT	A193Gr B7M	4
25	YOKE BOLT NUT	A194Gr 2HM	4

NOTE:

1. SPECIFY PIPE SCHEDULE No. REQUIRED.
2. FLEXIBLE WEDGE

SIZE	d	L	H	W
2.00	2.00	8.50	15.75	7.00
2.50	2.50	9.50	16.75	7.00
3.00	3.00	11.12	21.12	9.82
4.00	4.00	12.00	22.37	10.50
5.00	5.00	15.00	26.37	10.50
6.00	6.00	15.88	31.22	12.00
8.00	8.00	16.50	38.85	15.00
10.00	10.00	18.00	46.88	15.75
12.00	12.00	19.75	54.29	17.71
14.00	14.00	22.50	66.88	22.00
16.00	15.25	24.00	71.25	22.00
18.00	17.25	26.00	80.70	23.62
20.00	19.25	28.00	83.85	25.60
24.00	23.25	32.00	103.5	25.60
30.00	29.25	38.00	130.0	43.00
36.00	35.25	44.00	162.0	51.00

Remark: Other sizes available upon request.

					MARKING SYSTEM	MSS-SP-25	INSPECTION & TEST: API 598	MATERIAL: ASTM A216 GR.WCB	UNITS: Inch, mm	
					BUTTWELDING END	ANSI B16.25	SHELL HYDRO 450PSI	CLASS: 150	DATE: 01/01/12	SCALE: N.T.S.
					FACE TO FACE	ANSI B16.10	SEAT AIR 80PSI	SIZE: 2" - 36"		FIG. No.: 15W-2N
					WALL THICKNESS	API 600	BACK SEAT HYDRO 315PSI	DRAWN BY: F.J.		
Δ	1/1/12	ISSUED FOR PROPOSAL			DESIGNED	API 600, ANSI B16.34	NACE MR 0175	CHK'D & APR'D BY: R.P.	REV: 1	DWG No.: 60GA120017

WILLIAM E. WILLIAMS VALVE CORPORATION
 38-52 REVIEW AVENUE LONG ISLAND CITY, NY 11101
 TEL: 718-392-1660 FAX: 718-729-5106

TITLE: CAST STEEL GATE VALVE
 CLASS 150 - API TRIM 8 - B,B OS&Y, BUTTWELD END