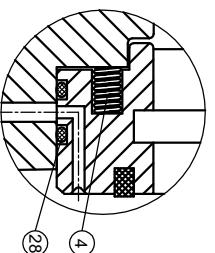
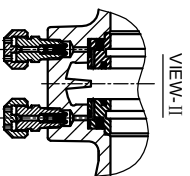


ITEM	NAME	SPECIFICATION	NOTE
1	BODY	ASTM A216-WCC	
2	SEAT	ASTM A105N+EN+R+PTFE	
3	SLAB GATE	A515 GR.70+ENP	
4	SPRING	INCONEL X750	
5	BONNET	ASTM A105N	
6	BOLT	ASTM A193-B7M	
7	NUT	ASTM A194-2HM	
8	STEM	ASTM A182-F316	
9	YOKE TUBE ASS'LY	ASTM 1020	
10	NEEDLE BEARING	ASTM 52100	
11	HANDWHEEL	ASTM A536 60-40-18	
12	CONNECTING NUT	ASTM 1020	
13	STEM PROTECT & INDICATION	PLASTIC	
14	BOLT	ASTM A193-B7M	
15	NUT	ASTM A194-2HM	
16	GASKET	316+GRAPHITE	
17	STEM NUT	ZC-QAL-9	
18	BEARING BOX	ASTM 1020	
19	PACKING FITTING	ASTM A276-316	
20	VENT VALVE	ASTM A276-316	
21	INJECTION FITTING	ASTM A276-316	
22	PLUG	ASTM A276-316	
23	NUT	ASTM A194-2HM	
24	GLAND FLANGE	ASTM A216-WCC	
25	GLAND FOLLOWER	ASTM A276-316	
26	LANTERN RING	ASTM A276-316	
27	PACKING	INCONEL600+GRAPHITE	
28	O RING	VITON A	

ITEM	FIG NO	SIZE	UNIT	ØD	ØD1	ØD2	ØD	b	n-ØE	L	H (shut)	H (open)	H1	ØW	Sa	Weight(lbs/kg)
01	18F61RTWCC	2"	mm	49	92.1	120.7	150	19	4-Ø19	178	429	497.5	150	200	8.6	77/35
02	18F61RTWCC	3"	mm	74	127	152.4	190	24.5	4-Ø19	203	531	624	197	300	11	143/65
03	18F61RTWCC	4"	mm	100	157.2	190.5	230	24.3	8-Ø19	229	610.5	734	248	300	11.2	243/110
04	18F61RTWCC	6"	mm	150	215.9	241.3	280	25.9	8-Ø22	267	802.5	985.5	344	350	11.9	397/180
05	18F61RTWCC	8"	mm	201	269.9	298.5	345	29	8-Ø22	292	948	1185	416	350	12.7	549/249
06	18F61RTWCC	10"	mm	252	323.8	362	405	30.6	12-Ø25	330	1077	1362	500	400	14.2	816/370
07	18F61RTWCC	12"	mm	303	381	431.8	485	32.2	12-Ø25	356	1253	1586.5	577	500	16.0	1085/492



**WILLIAMS**  
VALVE CORPORATION

38-52 REVIEW AVENUE  
LONG BEACH, CA 90801  
TEL: 714-932-1660  
FAX: 714-728-5106

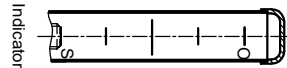
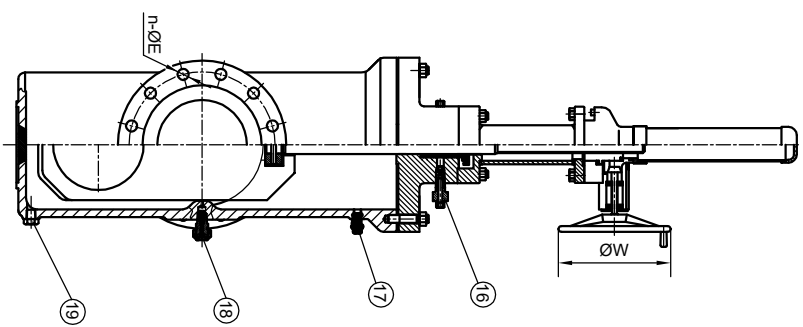
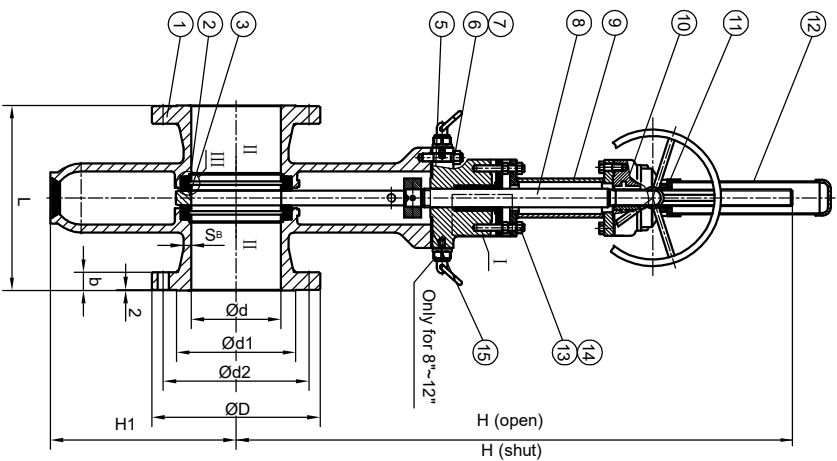
TITLE: CAST STEEL API 6D GATE VALVE  
CLASS 150 - API 6D - HANDWHEEL OPERATED

MATERIAL: ASTM A216 WCC  
CLASS: 150  
DATE: 04/25/19  
UNITS: Inch, mm  
SCALE: N.T.S.  
FIG. NO.: 18F61RTWCC

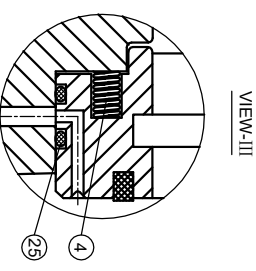
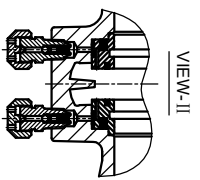
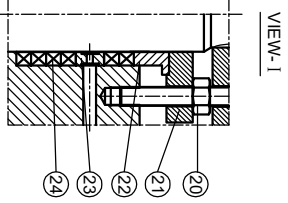
NO	DATE	DESCRIPTION	PPRD	REV'D	APPD
Δ	04/25/19	RELEASED	F.J.	E.C.	E.C.

MARKING SYSTEM	MSS-SP-25	INSPECTION & TEST API 6D
DM OF FLANGE	ANSI B16.5	SHELL HYDRO 450PSI
FACE TO FACE	API 6D	AIR 80PSI
WALL THICKNESS	API 6D	BACK SEAT HYDRO 320PSI
	API 6D, ANSI B16.34	NACE MR 0175

# Wm. E. Williams No. 18F61RTWCCGO Class 150 RF API 6D Slab Gate Valve ASTM A216 WCC NACE



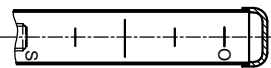
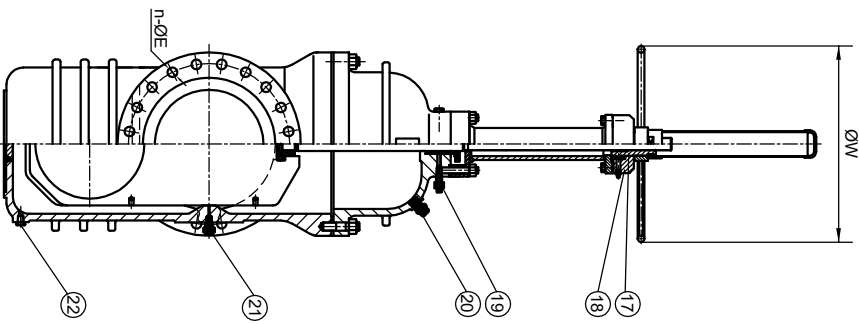
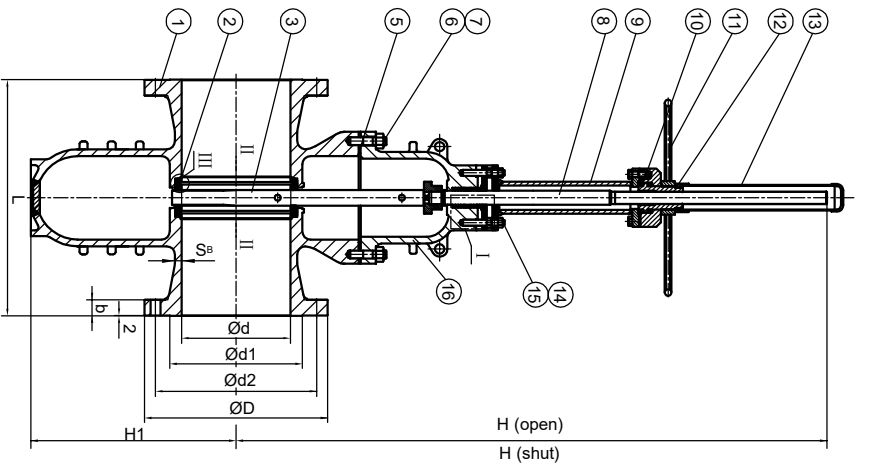
ITEM	NAME	SPECIFICATION	NOTE
1	BODY	ASTM A216-WCC	
2	SEAT	ASTM A1095N-ENP+RPTFE	
3	SLAB GATE	A515 GR.70 +ENP	
4	SPRING	INCONEL X750	
5	BONNET	ASTM A105N	
6	BOLT	ASTM A193-B7M	
7	NUT	ASTM A194-2HM	
8	STEM	ASTM A182-F316	
9	YOKE TUBE ASS'LY	AISI 1020	
10	GEAR	ASTM A216-WCB	
11	CONNECTING NUT	AISI 1020	
12	STEM PROTECT & INDICATION	PLASTIC	
13	BOLT	ASTM A193-B7M	
14	NUT	ASTM A194-2HM	
15	GASKET	316+GRAPHITE	
16	PACKING FITTING	ASTM A276-316	
17	VENT VALVE	ASTM A276-316	
18	INJECTION FITTING	ASTM A276-316	
19	PLUG	ASTM A276-316	
20	NUT	ASTM A194-2HM	
21	GLAND FLANGE	ASTM A216-WCC	
22	GLAND FOLLOWER	ASTM A276-316	
23	LANTERN RING	ASTM A276-316	
24	PACKING	INCONEL600+GRAPHITE	
25	O RING	VITON A	



ITEM	FIG NO	SIZE	UNIT	Ød	Ød1	Ød2	ØD	b	n-ØE	L	H (shut)	H (open)	H1	ØW	S <sub>e</sub>	Weight(lbs/ks)
01	18F61RTWCCGO	8"	mm	201	269.9	298.5	345	29	8-Ø22	292	978	1215	416	310	12.7	573/260
		8"	Inch	7.94	10.62	11.75	13.5	1.14	8-7/8	11.5	38.5	47.83	16.4	12.2	0.5	
02	18F61RTWCCGO	10"	mm	252	323.8	362	405	30.6	12-Ø25	330	1136	1420	500	310	14.2	871/395
		10"	Inch	9.94	12.75	14.25	16.0	1.20	12-1	13.0	44.7	55.9	19.7	12.2	0.56	
03	18F61RTWCCGO	12"	mm	303	381	431.8	485	32.2	12-Ø25	356	1258	1589.5	577	310	16.0	1124/510
		12"	Inch	11.94	15.0	17.0	19.0	1.3	12-1	14.0	49.5	62.58	22.7	12.2	0.63	

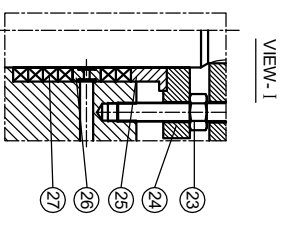
**WILLIAM E. WILLIAMS**  
 VALVE CORPORATION  
 98-59 REVIEW AVENUE  
 LONG BEACH, CA 90801  
 TEL: 714-932-1660  
 FAX: 714-978-5106

MARKING SYSTEM: MSS-SP-25		INSPECTION & TEST: API 6D		MATERIAL: ASTM A216 WCC		UNITS: Inch, mm	
DIM OF FLANGE: ANSI B16.5		HYDRO: 450PSI		CLASS: 150		DATE: 04/25/19	
FACE TO FACE: API 6D		SEAT: AIR		80PSI		SCALE: N.T.S.	
WALL THICKNESS: API 6D		BACK SEAT: HYDRO		320PSI		FIG. NO.: 18F61RTWCCGO	
NO. DATE: 04/25/19		DESCRIPTION: RELEASED		F.L.		E.C.	
REV. 1		DWG. NO.		REV. 1		E.C.	

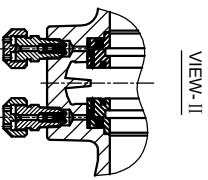


Indicator

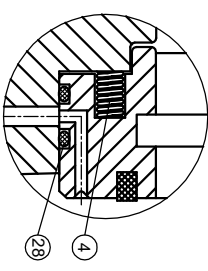
ITEM	NAME	SPECIFICATION	NOTE
1	BODY	ASTM A216-WCC	
2	SEAT	ASTM A105N+ENP+RPTFE	
3	SLAB GATE	A515 GR.70+ENP	
4	SPRING	INCONEL X750	
5	BONNET	ASTM A216-WCC	
6	BOLT	ASTM A193-B7M	
7	NUT	ASTM A194-2HM	
8	STEM	ASTM A182-F316	
9	YOKE TUBE ASSLY	ASTM 1020	
10	THRUST BALL BEARINGS	ASTM 52100	
11	HANDWHEEL	ASTM A336 60-40-18	
12	CONNECTING NUT	ASTM 1020	
13	STEM PROTECT & INDICATION	PLASTIC	
14	BOLT	ASTM A193-B7M	NACE
15	NUT	ASTM A194-2HM	
16	GASKET	316+GRAPHITE	
17	STEM NUT	ZC/JAL-9	
18	BEARING BOX	ASTM A276-316	
19	PACKING FITTING	ASTM A276-316	
20	VENT VALVE	ASTM A276-316	
21	INJECTION FITTING	ASTM A276-316	
22	PLUG	ASTM A276-316	
23	NUT	ASTM A194-2HM	
24	GLAND FLANGE	ASTM A216-WCC	
25	GLAND FOLL OWER	ASTM A276-316	
26	LANTERN RING	ASTM A276-316	
27	PACKING	INCONEL600+GRAPHITE	
28	O RING	VITON A	



VIEW-I



VIEW-II



VIEW-III

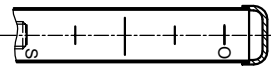
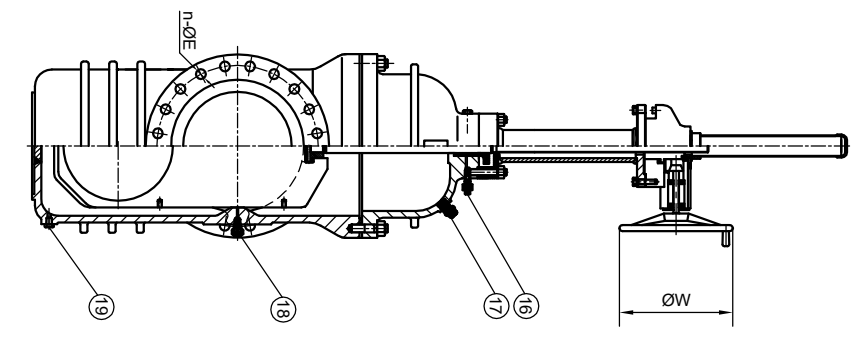
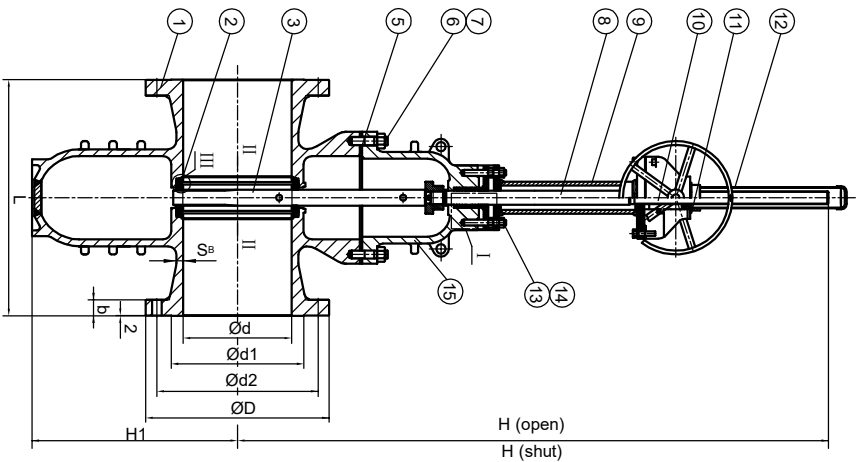
ITEM	FIG NO	SIZE	UNIT	Ød	Ød1	Ød2	ØD	b	n-ØE	L	H (shut)	H (open)	H1	ØW	Sp	Weight(lbs/kg)
01	18F61RTWCC	14"	mm	334	412.8	476.3	535	35.4	12-Ø29	381	1382	1745	615	500	16.8	1356/615
		14"	Inch	13.19	16.25	18.75	21.0	1.39	12-1-1/8	15.0	54.41	68.7	24.21	19.69	0.66	

NO.	DATE	DESCRIPTION	PRPD	REVD	APPD	DESIGNED	API 6D, ANSI B16.34	NACE MR 0175	CHK'D & APPRD BY:	REV. 1	DWG No.:
Δ	04/25/19	RELEASED	F.J.	E.C.	E.C.	WALL THICKNESS	API 600	320PSI			18F61RTWCC
						MARKING SYSTEM	MSS-SP-25	INSPECTION & TEST: API 6D			
						DM OF FLANGE	ANSI B16.5	HYDRO 450PSI			
						FACE TO FACE	API 6D	AIR 80PSI			
						BACK SEAT	HYDRO 320PSI				

**WILLIAM E. WILLIAMS**  
 VALVE CORPORATION  
 38-52 REVIEW AVENUE  
 LONG BRAND CTRY, NY 11101  
 TEL: 718-392-1660  
 FAX: 718-729-5106  
 WWW.WILLIAMSVALVE.COM

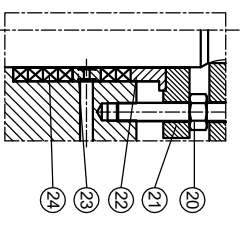
TITLE: CAST STEEL SLAB GATE VALVE  
 MATERIAL: ASTM A216 WCC  
 CLASS: 150  
 DATE: 04/25/19  
 SCALE: N.T.S.  
 DRAWN BY: F.J.  
 FIG No.: 18F61RTWCC  
 CHKD & APPRD BY: E.C.  
 REV. 1  
 DWG No.:

# Wm. E. Williams No. 18F61RTWCCGO Class 150 RF API6D Slab Gate Valve ASTM A216 WCC NACE

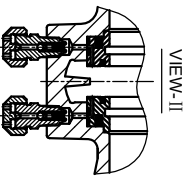


Indicator

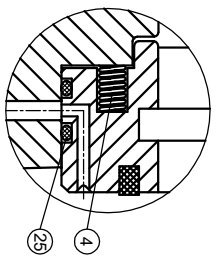
ITEM	NAME	SPECIFICATION	NOTE
1	BODY	ASTM A216-WCC	
2	SEAT	ASTM A105N+ENP+R-PTFE	
3	SLAB GATE	A515 GR.70 +ENP	
4	SPRING	INCONEL X750	
5	GASKET	316+GRAPHITE	
6	BOLT	ASTM A193-B7M	
7	NUT	ASTM A194-2HM	
8	STEM	ASTM A182-F316	
9	YOKE TUBE ASS'LY	AS1 1020	
10	GEAR	ASTM A216-WCB	
11	CONNECTING NUT	AS1 1020	
12	STEM PROTECT & INDICATION PLASTIC		NACE
13	YOKE BOLT	ASTM A193-B7M	
14	YOKE NUT	ASTM A194-2HM	
15	BONNET	ASTM A216-WCC	
16	PACKING FITTING	ASTM A276-316	
17	VENT VALVE	ASTM A276-316	
18	INJECTION FITTING	ASTM A276-316	
19	PLUG	ASTM A276-316	
20	NUT	ASTM A194-2HM	
21	GLAND FLANGE	ASTM A216-WCC	
22	GLAND FOLLOWER	ASTM A276-316	
23	LANTERN RING	ASTM A276-316	
24	PACKING	INCONEL600+GRAPHITE	
25	O RING	VITON A	



VIEW-I



VIEW-II



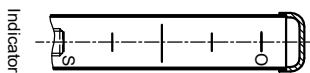
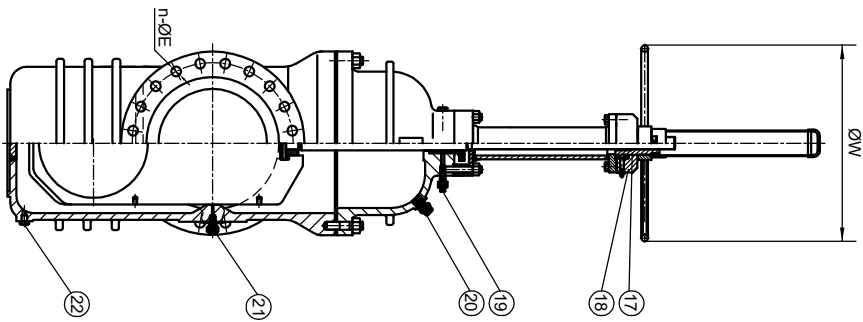
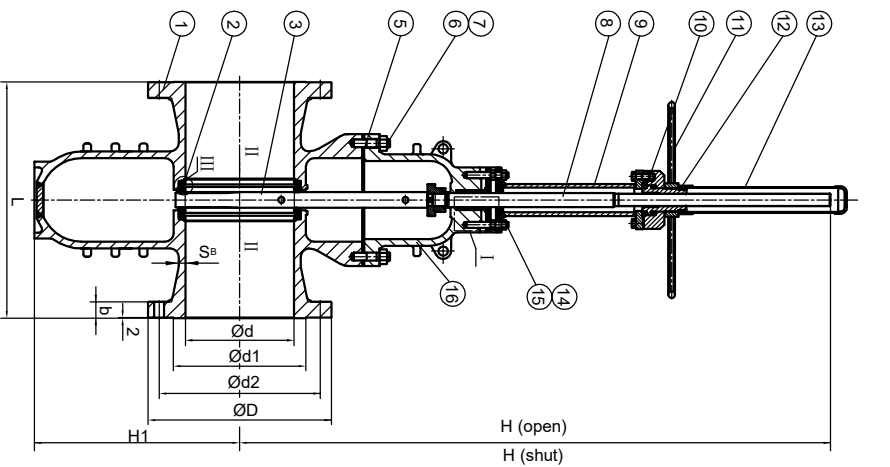
VIEW-III

ITEM	FIG NO	SIZE	UNIT	Ød	ØD1	ØD2	ØD	b	n-ØE	L	H (shut)	H (open)	H1	ØW	S <sub>a</sub>	Weight(lbs/kgs)
01	18F61RTWCCGO	14"	mm	334	412.8	476.3	535	35.4	12-Ø29	381	1382	1745	615	460	16.8	1393/632
		14"	Inch	13.19	16.25	18.75	21.0	1.39	12-1-1/8	15.0	54.41	68.7	24.21	18.1	0.66	

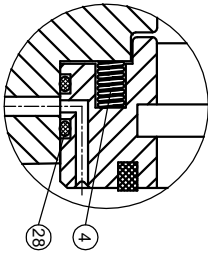
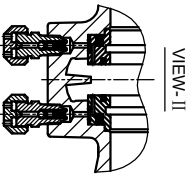
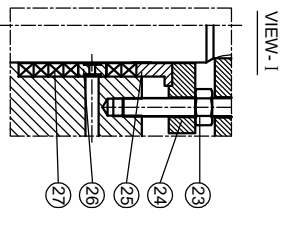
NO	DATE	DESCRIPTION	PREP'D	REV'D	APP'D	MARKING SYSTEM	INSPECTION & TEST	MATERIAL	CLASS	DATE	UNITS	SCALE	FIG No.
						MSS-SP-25	API 6D	ASTM A216 WCC	150	04/25/19	Inch, mm	N.T.S.	18F61RTWCCGO
	04/25/19	RELEASED	F.J.	E.C.	E.C.	ANSI B16.5	HYDRO 450PSI	ASTM A216 WCC	150	04/25/19	Inch, mm	N.T.S.	18F61RTWCCGO
						FACE TO FACE	AIR 80PSI						
						WALL THICKNESS	HYDRO 320PSI						
						API 6D	NAACE MR 0175						
						DESIGNED							
						API 6D, ANSI B16.34							
						BACK SEAT							
						SEAT							
						80PSI							
						DRAWN BY:							
						F.J.							
						CHK'D & APR'D BY:							
						E.C.							
						REV. 1							
						DWG No.:							

**WILLIAM E. WILLIAMS**  
 VALVE CORPORATION  
 38-52 REVIEW AVENUE  
 LONG BEACH, NY 11101  
 TEL: 718-392-1660  
 FAX: 718-759-5106  
 WWW.WILLIAMSVALVE.COM

TITLE: CAST STEEL SLAB GATE VALVE  
 CLASS 150 - API 6D - GEAR OPERATED



ITEM	NAME	SPECIFICATION	NOTE
1	BODY	ASTM A216-WCC	
2	SEAT	ASTM A105N+ENP+DEVLOIN A515 GR.70+ENP	
3	SLAB GATE		
4	SPRING	INCONEL X750	
5	BONNET	ASTM A216-WCC	
6	BOLT	ASTM A193-B7M	
7	NUT	ASTM A194-2HM	
8	STEM	ASTM A182-F316	
9	YOKE TUBE ASSLY	ASTM 1020	
10	THRUST BALL BEARINGS	ASTM 52100	
11	HANDWHEEL	ASTM A336 60-40-18	
12	CONNECTING NUT	ASTM 1020	
13	STEM PROTECT & INDICATION	PLASTIC	NACE
14	BOLT	ASTM A193-B7M	
15	NUT	ASTM A194-2HM	
16	GASKET	316+GRAPHITE	
17	STEM NUT	ZC/JAL-9	
18	BEARING BOX	ASTM 1020	
19	PACKING FITTING	ASTM A276-316	
20	VENT VALVE	ASTM A276-316	
21	INJECTION FITTING	ASTM A276-316	
22	PLUG	ASTM A194-2HM	
23	NUT	ASTM A194-2HM	
24	GLAND FLANGE	ASTM A216-WCC	
25	GLAND FOLL OWER	ASTM A276-316	
26	LANITERN RING	ASTM A276-316	
27	PACKING	INCONEL600+GRAPHITE	
28	O RING	VITON A	



ITEM	FIG NO	SIZE	UNIT	ØD	ØD1	ØD2	ØD	b	n-ØE	L	H (shut)	H (open)	H1	ØW	Sr	Weight(lbs/kgs)
01	18F61DWCC	16"	mm	385	469.9	539.8	595	37	16-Ø29	406	1495.5	1911	701	560	17.5	1609/730
		16"	Inch	15.19	18.5	21.25	23.5	1.45	16-1-1/8	16.0	58.88	75.24	27.6	22.0	0.69	
02	18F61DWCC	18"	mm	436	533.4	577.9	635	40.1	16-Ø32	432	1693	2165	794	640	18.3	1356/961
		18"	Inch	17.19	21.0	22.75	25.0	1.57	16-1-1/4	17.0	66.7	85.2	31.3	25.2	0.72	
03	18F61DWCC	20"	mm	487	584.2	635	700	43.3	20-Ø32	457	1812	2338	888	640	19.1	2612/1185
		20"	Inch	19.19	23.0	25.0	27.5	1.70	20-1-1/4	18.0	71.34	92.05	34.96	25.2	0.75	
04	18F61DWCC	24"	mm	589	692.2	749.3	815	48.1	20-Ø35	508	2115	2760	1060	720	20.6	3880/1760
		24"	Inch	23.19	27.25	29.5	32.0	1.89	20-1-3/8	20.0	83.27	108.66	41.73	28.35	0.81	

**WILLIAMS**  
VALVE CORPORATION

38-52 REVIEW AVENUE  
LONG BEACH CITY, NY 11101

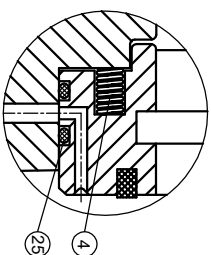
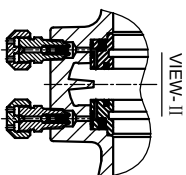
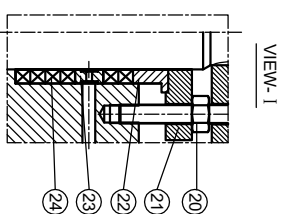
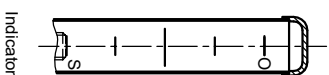
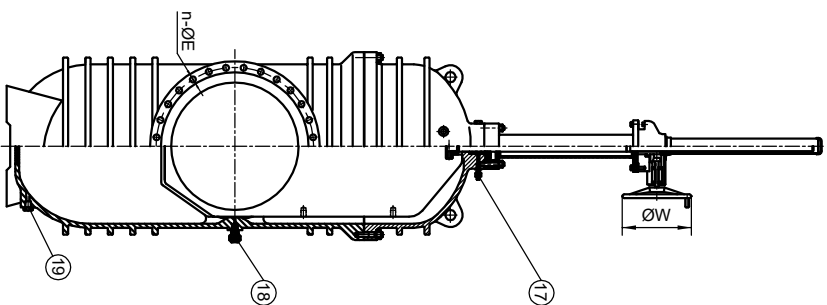
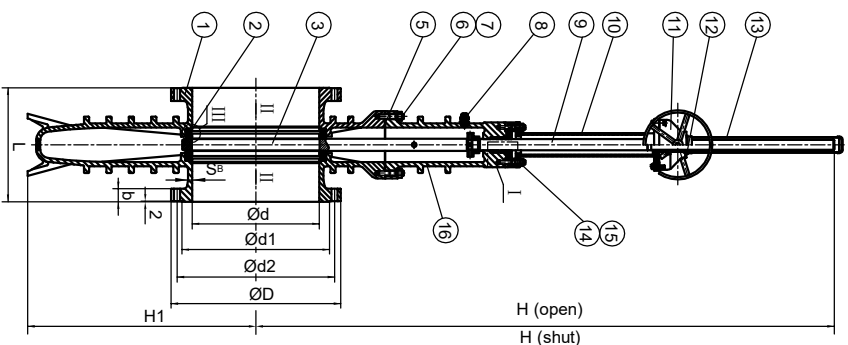
TEL: 718-392-1660  
FAX: 718-759-5106

WWW.WILLIAMSVALVE.COM

MARKING SYSTEM: MSS-SP-25		INSPECTION & TEST: API 6D		MATERIAL: ASTM A216 WCC		CLASS: 150		DATE: 04/25/19		SCALE: N.T.S.	
DIM OF FLANGE: ANSIB16.5		SHELL: HYDRO 450PSI		HYDRO 450PSI		FACE TO FACE: API 6D		SEAT: AIR		80PSI	
WALL THICKNESS: API 6D		BACK SEAT: HYDRO 320PSI		NACE MR 0175		DRAWN BY: F.J.		CHK'D & APPRD BY: E.C.		REV. 1	
NOI DATE		DESCRIPTION		PRPD		REV'D		APPD		DWG No.: 18F61DWCC	



# Wm. E. Williams No. 18F61DWCCGO Class 150 RF API6D Slab Gate Valve ASTM A216 WCC NACE



ITEM NAME	SPECIFICATION	NOTE
1 BODY	ASTM A216-WCC	
2 SEAT	ASTM A105N+ENP+DEVLOX	
3 SLAB GATE	A515 GR.70 +ENP	
4 SPRING	INCONEL X750	
5 GASKET	316+GRA+PHITE	
6 BOLT	ASTM A193-B7M	
7 NUT	ASTM A194-2HM	
8 VENT VALVE	ASTM A276-316	
9 STEM	ASTM A182-F316	
10 YOKE TUBE ASSLY	AS1 1020	
11 GEAR	ASTM A216-WCB	
12 CONNECTING NUT	AS1 1020	
13 STEM PROTECT & INDICATION	PLASTIC	NACE
14 BOLT	ASTM A193-B7M	
15 NUT	ASTM A194-2HM	
16 BONNET	ASTM A216-WCC	
17 PACKING FITTING	ASTM A276-316	
18 INJECTION FITTING	ASTM A276-316	
19 PLUG	ASTM A276-316	
20 NUT	ASTM A194-2HM	
21 GLAND FLANGE	ASTM A216-WCC	
22 GLAND FOLLOWER	ASTM A276-316	
23 LANTERN RING	ASTM A276-316	
24 PACKING	INCONEL 600+GRAPHITE	
25 O RING	VITON A	

ITEM	FIG NO	SIZE	UNIT	ØD	Ød1	Ød2	ØD	b	n-ØE	L	H (shut)	H (open)	H1	ØW	S <sub>p</sub>	Weight(lbs/ks)
01	18F61DWCCGO	30"	mm	735	857	914.4	985	74.7	28-Ø35	660	2570	3360	1324	710	24	6724/3050
		30"	Inch	28.94	33.74	36.0	38.75	2.93	28-1-3/8	26.0	101.18	132.28	52.13	28.0	0.95	

NO.	DATE	DESCRIPTION	PRP'D	REV'D	APP'D	DESIGNED
Δ	04/25/19	RELEASED	F.J.	E.C.	E.C.	

MARKING SYSTEM	MSS-SP-25	INSPECTION & TEST	API 6D
DIM OF FLANGE	ANSI B16.47A	SHELL	HYDRO 450PSI
FACE TO FACE	API 6D	SEAT	80PSI
WALL THICKNESS	API 600	BACK SEAT	HYDRO 320PSI
	API 6D, ANSI B16.34	NACE MR 0175	

MATERIAL:	CLASS:	DATE:	UNITS:
CAST STEEL, SLAB GATE VALVE	150	04/25/19	Inch, mm

SCALE:	FIG No.:
N.T.S.	18F61DWCCGO

**WILLIAM E. WILLIAMS VALVE CORPORATION**  
 38-52 REVIEW AVENUE  
 LONG ISLAND CITY, NY 11101  
 TEL: 718-392-1660  
 FAX: 718-799-5106  
 WWW.WILLIAMSVALVE.COM