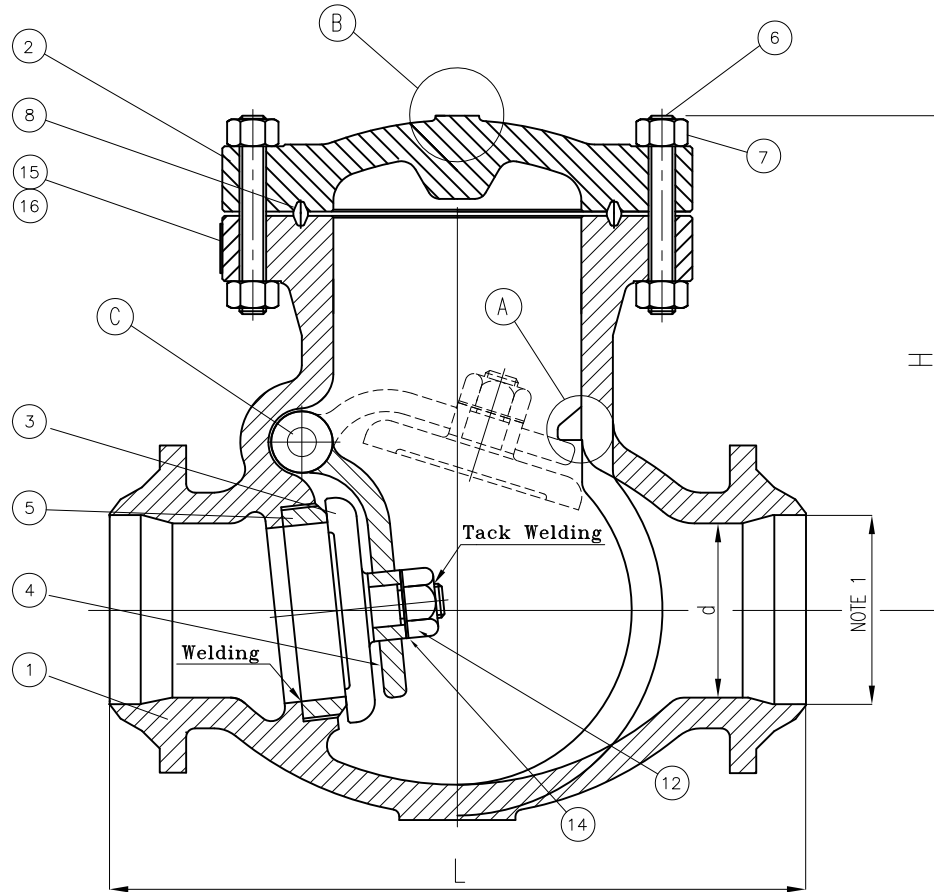
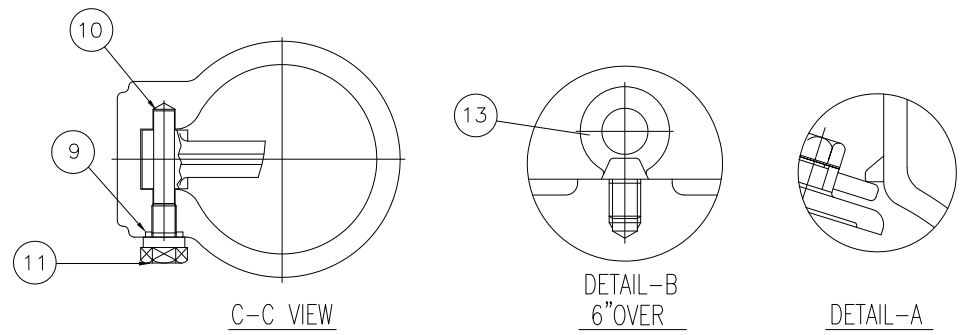


Wm. E. Williams No. 2501W2N Class 2500 BW Swing Check Valve ASTM A216 WCB (API Trim 8) NACE



BILL OF MATERIALS			
NO.	PART NAME	MATERIAL	Q'TY
1	BODY	A216Gr WCB	1
2	COVER	A216Gr WCB	1
3	DISC	A216 GR WCB + 13Cr Faced	1
4	ARM	A216Gr WCB	1
5	SEAT RING	A105N + HF	1
6	COVER BOLT	A193Gr B7M	1SET
7	COVER NUT	A194Gr 2HM	1SET
8	GASKET, RING JOINT	304 + GRAPHITE	1
9	PIN GASKET	410	1
10	HINGE PIN	A479Gr 410	1
11	HINGE BOLT	A193Gr B7M	1
12	DISC NUT	A194Gr 2HM	1
13	EYE BOLT	A193Gr B7M	1
14	WASHER	STEEL	1
15	NAME PLATE	STAINLESS STEEL	1
16	RIVET	STAINLESS STEEL	2

NOTE:
1. SPECIFY PIPE SCHEDULE No. REQUIRED.



SIZE	d	L	H
2.00	1.50	17.75	13.00
3.00	2.25	22.75	16.00
4.00	2.87	26.50	16.00
6.00	4.37	36.00	23.00
8.00	5.75	40.25	28.50

Remark: Larger sizes available upon request.

						MARKING SYSTEM	MSS-SP-25	INSPECTION & TEST: API 598	MATERIAL: ASTM A216 GR.WCB	UNITS: Inch, mm	
						DIM.OF FLANGE	ANSI B16.5	SHELL HYDRO 9275PSI	CLASS: 2500	DATE: 07/02/13	SCALE: N.T.S.
						FACE TO FACE	ANSI B16.10	SEAT AIR 80PSI	SIZE: 2" - 8"		FIG. No.: 2501W-2N
						WALL THICKNESS	ANSI B16.34	BACK SEAT HYDRO 6800PSI	DRAWN BY: F.J.		
NO.	DATE	DESCRIPTION	PRP'D	REV'D	APP'D	DESIGNED	BS1868, ANSI B16.34	NACE MR0175	CHK'D & APR'D BY: R.P.	REV: 1	DWG No.: 60SC120220

WILLIAM E. WILLIAMS VALVE CORPORATION
 38-52 REVIEW AVENUE LONG ISLAND CITY, NY 11101
 TEL: 718-392-1660 FAX: 718-729-5106
 TITLE: CAST STEEL SWING CHECK VALVE CLASS 2500 - API TRIM 8 - BUTTWELD