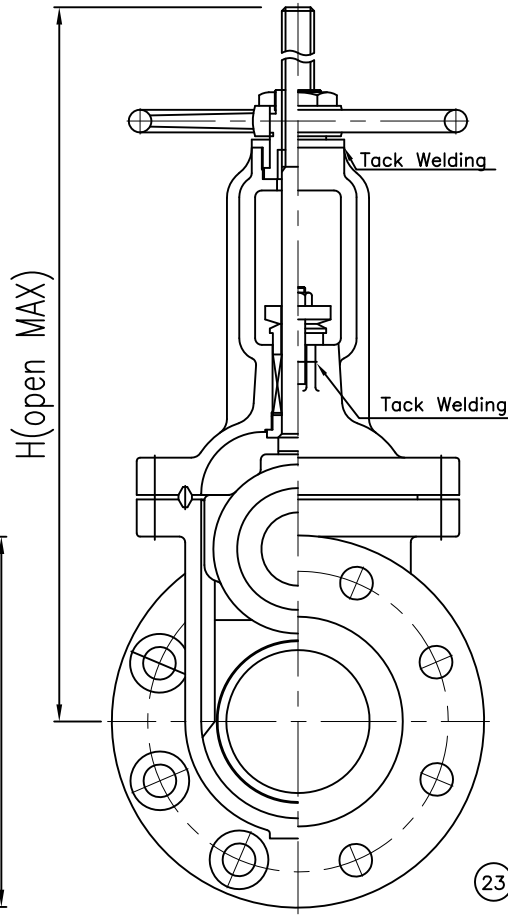
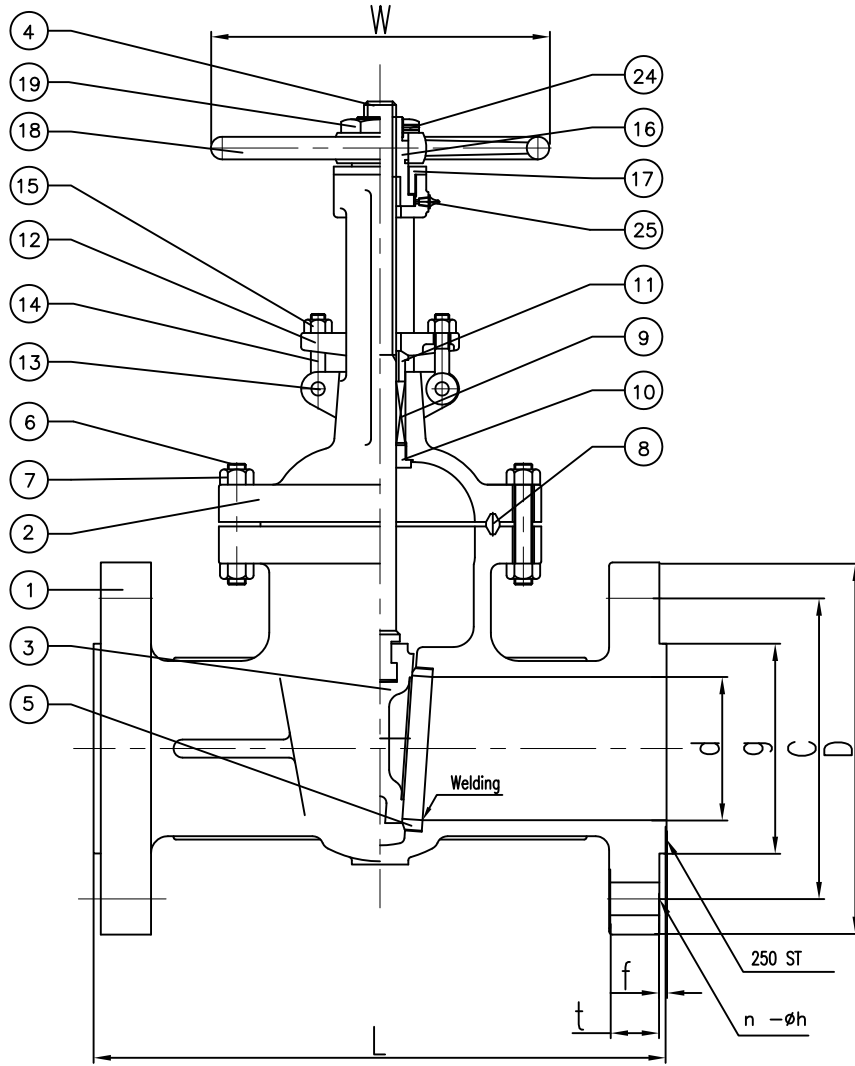
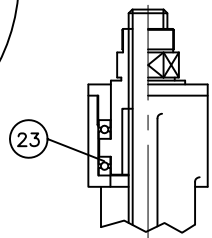


Wm. E. Williams No. 250F2N Class 2500 RF OS&Y Gate Valve ASTM A216 WCB (API Trim 8) NACE

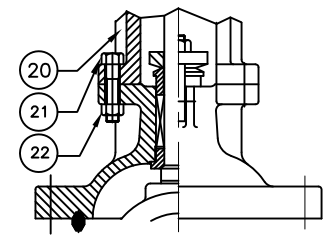


BILL OF MATERIALS			
NO.	PART NAME	MATERIALS	Q'TY
1	BODY	A216 Gr WCB	1
2	BONNET	A216 Gr WCB	1
3	DISC	A216 Gr WCB W/13Cr Face	1
4	STEM	A479 Gr 410 (13Cr)	1
5	SEAT RING	A105N + HF	2
6	BONNET BOLT	A193 Gr B7M	1SET
7	BONNET NUT	A194 Gr 2HM	1SET
8	GASKET	304 + GRAPHITE	1
9	PACKING	GRAPHITE WITH CORROSION INHIBITOR AND DIE FORMED RINGS	1SET
10	BACK SEAT	A479 Gr 410	1
11	GLAND RING	A479 Gr 410	1
12	GLAND FLANGE	WCB	1
13	HINGE PIN	A479 Gr 410	2
14	GLAND BOLT	A193 Gr B7M	2
15	GLAND NUT	A194 Gr 2HM	2
16	YOKE SLEEVE	A439 Gr D2C	1
17	SLEEVE NUT	A479 Gr 410	1
18	HAND WHEEL	A197	1
19	HANDLE NUT	A479 Gr 410	1
20	YOKE	A216 Gr WCB	1
21	YOKE BOLT	A193 Gr B7M	4
22	YOKE BOLT NUT	A194 Gr 2HM	4
23	BEARING	STEEL	2
24	SET SCREW	STEEL	1
25	GREASE NIPPLE	STEEL	1

NOTE:
1. FLEXIBLE WEDGE.



THRUST BALL BEARINGS
6" AND ABOVE



TWO PIECE BONNET
10" AND ABOVE

SIZE	d	L	D	C	g	t	f	n-h	H	W
2.00	1.50	17.75	9.25	6.75	5.25	2.00	0.250	8-1.14	24.88	12.00
3.00	2.25	22.75	12.00	9.00	6.62	2.62	0.250	8-1.37	36.00	20.00
4.00	2.87	26.50	14.00	10.75	8.00	3.62	0.250	8-1.62	41.50	20.00
6.00	4.37	36.00	19.00	14.50	11.00	4.25	0.250	8-2.12	57.00	24.00
8.00	5.75	40.25	21.75	17.25	13.37	5.00	0.250	12-2.12	63.38	24.00

Remark: Larger sizes available upon request.

MARKING SYSTEM	MSS-SP-25	INSPECTION & TEST:	API 598	MATERIAL:	ASTM A216 GR.WCB	UNITS:	Inch, mm				
DIM.OF FLANGE	ANSI B16.5	SHELL	HYDRO	9275PSI	CLASS:	2500	DATE:	06/26/13	SCALE:	N.T.S.	
FACE TO FACE	ANSI B16.10	SEAT	AIR	80PSI	SIZE:	2" - 8"	FIG. No.:	250F-2N			
WALL THICKNESS	API 600	BACK SEAT	HYDRO	6800PSI	DRAWN BY:	F.J.	CHK'D & APR'D BY:	R.P.	REV:	1	
NO.	DATE	DESCRIPTION	PRP'D	REV'D	APP'D	DESIGNED	API 600, ANSI B16.34	NACE MR	0175	DWG No.:	60GA120212-60

WILLIAM E. WILLIAMS VALVE CORPORATION
 38-52 REVIEW AVENUE LONG ISLAND CITY, NY 11101
 TEL: 718-392-1660 FAX: 718-729-5105

TITLE: CAST STEEL GATE VALVE CLASS 2500 - API TRIM 8 - R,F B,B OS&Y