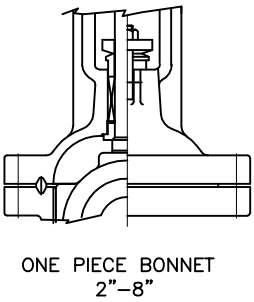
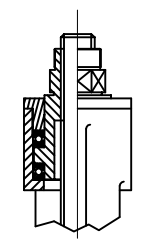
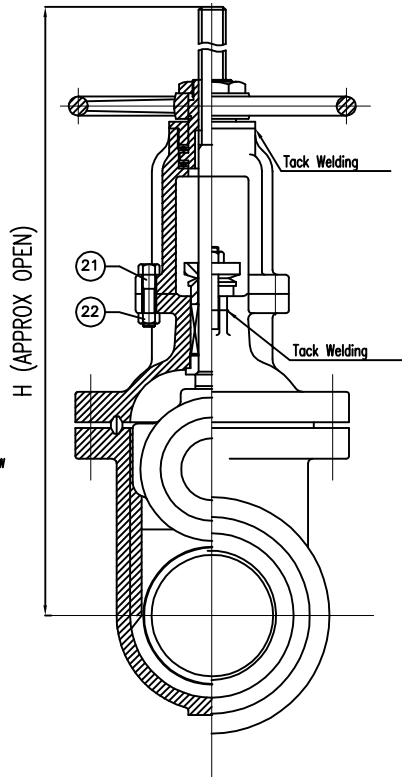
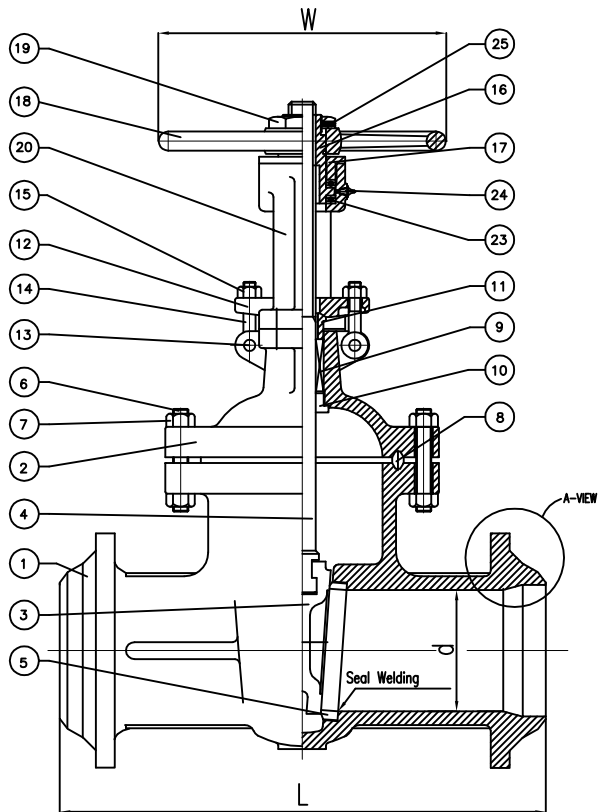


# Wm. E. Williams No. 250W2N Class 2500 BW OS&Y Gate Valve ASTM A216 WCB (API Trim 8) NACE



## BILL OF MATERIALS

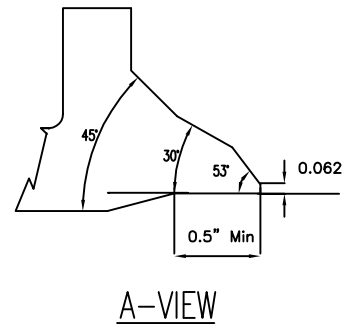
NO.	PART NAME	MATERIALS	Q'TY
1	BODY	A216 Gr WCB	1
2	BONNET	A216 Gr WCB	1
3	WEDGE	A216 Gr WCB W/13Cr Welding	1
4	STEM	A479 Gr 410 (13Cr)	1
5	SEAT RING	A105N + HF	2
6	BONNET BOLT	A193 Gr B7M	1SET
7	BONNET NUT	A194 Gr 2HM	1SET
8	GASKET	METAL	1
9	PACKING	GRAPHITE WITH CORROSION INHIBITOR AND DIE FORMED RINGS	1SET
10	BACK SEAT	A479 Gr 410	1
11	GLAND RING	A479 Gr 410	1
12	GLAND FLANGE	WCB	1
13	GLAND BOLT PIN	A105N	2
14	GLAND BOLT	A193 Gr B7M	2
15	GLAND NUT	A194 Gr 2HM	2
16	YOKE SLEEVE	A439 Gr D2C	1
17	SLEEVE NUT	WCB	1
18	HAND WHEEL	A197	1
19	HANDLE NUT	WCB	1
20	YOKE	A216 Gr WCB	1
21	YOKE BOLT	A193 Gr B7M	4
22	YOKE BOLT NUT	A194 Gr 2HM	4
23	BEARING	STEEL	2
24	NIPPLE	STEEL	1
25	SET SCREW	STEEL	1

**NOTE:**

- SPECIFY PIPE SCHEDULE No. REQUIRED.
- FLEXIBLE WEDGE

SIZE	d	L	H	W
2.00	1.50	17.75	24.88	12.00
3.00	2.25	22.75	36.00	20.00
4.00	2.87	26.50	41.50	20.00
6.00	4.37	36.00	57.00	24.00
8.00	5.75	40.25	63.38	24.00

Remark: Larger sizes available upon request.



WILLIAM E. WILLIAMS VALVE CORPORATION  
 38-52 REVIEW AVENUE LONG ISLAND CITY, NY 11101  
 TEL: 718-392-1660 FAX: 718-729-5105

TITLE: CAST STEEL GATE VALVE CLASS 2500 - API TRIM 8 - BUTTWELD - B,B OS&Y

					MARKING SYSTEM	MSS-SP-25	INSPECTION & TEST: API 598	MATERIAL: ASTM A216 GR.WCB	UNITS: Inch, mm
					DIM.OF FLANGE	ANSI B16.5	SHELL HYDRO	9275PSI	CLASS: 2500 DATE: 07/01/13 SCALE: N.T.S.
					FACE TO FACE	ANSI B16.10	SEAT AIR	80PSI	SIZE: 2" - 8" FIG. No.: 250W-2N
					WALL THICKNESS	API 600	BACK SEAT HYDRO	6800PSI	DRAWN BY: F.J.
NO.	DATE	DESCRIPTION	PRP'D	REV'D	APP'D	DESIGNED	API 600, ANSI B16.34	NACE MR 0175	CHK'D & APR'D BY: R.P. REV: 1 DWG No.: 60GA120218