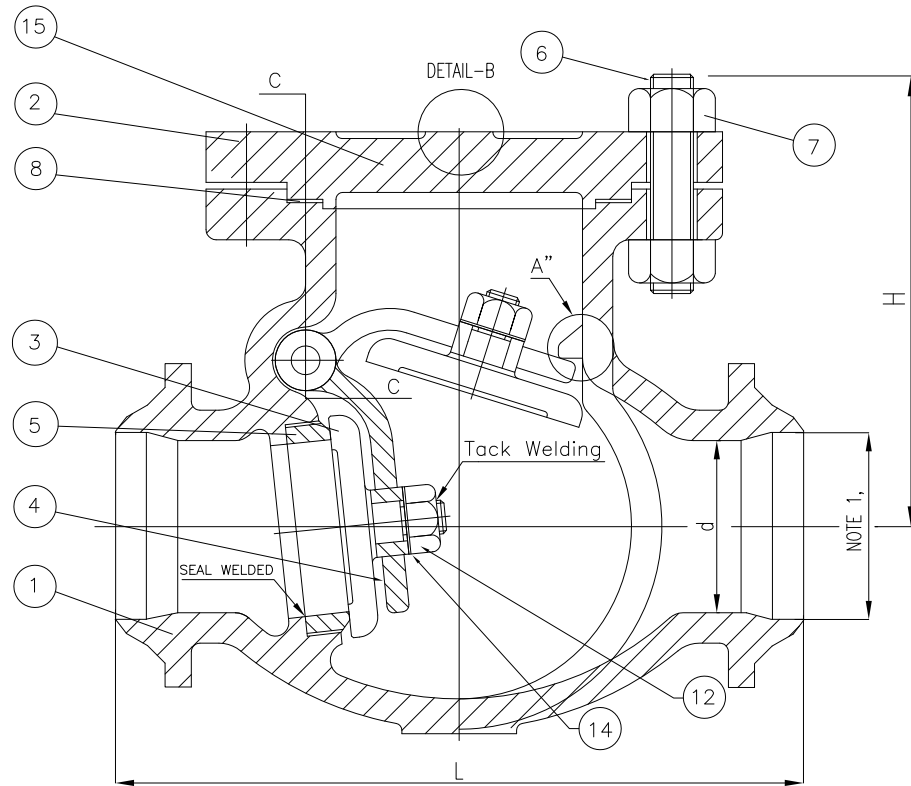


Wm. E. Williams No. 301W2N Class 300 BW Swing Check Valve A216 WCB (API Trim 8) NACE

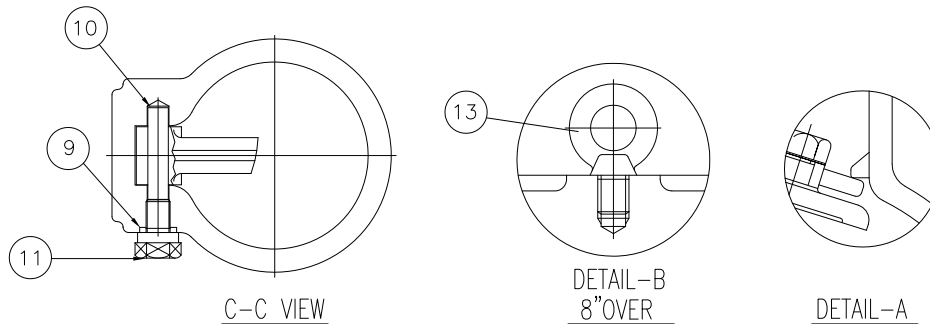


BILL OF MATERIALS			
NO.	PART NAME	MATERIAL	Q'TY
1	BODY	A216Gr WCB	1
2	COVER	A216Gr WCB	1
3	DISC	A216 GR WCB + 13Cr Faced	1
4	ARM	A216Gr WCB	1
5	SEAT RING	A105N + HF	1
6	COVER BOLT	A193Gr B7M	1SET
7	COVER NUT	A194Gr 2HM	1SET
8	GASKET	304+GRAPHITE	1
9	PIN GASKET	GRAPHITE	1
10	HINGE PIN	A479Gr 410	1
11	HINGE BOLT	A193Gr B7M	1
12	DISC NUT	A194Gr 2HM	1
13	EYE BOLT	A193Gr B7M	1
14	WASHER	STEEL	1
15	NAME PLATE	STAINLESS STEEL	1

NOTE:

1. SPECIFY PIPE SCHEDULE No. REQUIRED.

SIZE	d	L	H
2.00	2.00	10.50	6.37
2.50	2.50	11.50	7.50
3.00	3.00	12.50	7.87
4.00	4.00	14.00	9.00
5.00	5.00	15.75	10.50
6.00	6.00	17.50	11.00
8.00	8.00	21.00	12.62
10.00	10.00	24.50	15.00
12.00	12.00	28.00	17.12
14.00	13.25	33.00	20.00
16.00	15.25	34.00	20.50
18.00	17.25	38.50	22.50
20.00	19.25	40.00	25.00
24.00	23.25	53.00	29.00



Remark: Larger sizes available upon request.

						MARKING SYSTEM	MSS-SP-25	INSPECTION & TEST: API 598	MATERIAL: ASTM A216 GR.WCB	UNITS: Inch, mm
						BUTTWELD ENDS	ANSI B16.25	SHELL	HYDRO	1125PSI
						FACE TO FACE	ANSI B16.10	SEAT	AIR	80PSI
						WALL THICKNESS	ANSI B16.34	BACK SEAT	HYDRO	815PSI
NO.	DATE	DESCRIPTION	PRP'D	REV'D	APP'D	DESIGNED	BS1868, ANSI B16.34	NACE MR 0175	CHK'D & APR'D BY: R.P.	REV: 1

WILLIAM E. WILLIAMS VALVE CORPORATION
 38-52 REVIEW AVENUE, LONG ISLAND CITY, NY 11101
 TEL: 718-392-1660 FAX: 718-729-5106

TITLE: CAST STEEL SWING CHECK VALVE CLASS 300 - API TRIM 8 - BUTTWELD

CLASS: 300	DATE: 01/01/12	SCALE: N.T.S.
SIZE: 2" - 24"	FIG. No.: 301W-2N	
DRAWN BY: F.J.	DWG No.: 60SC120101	