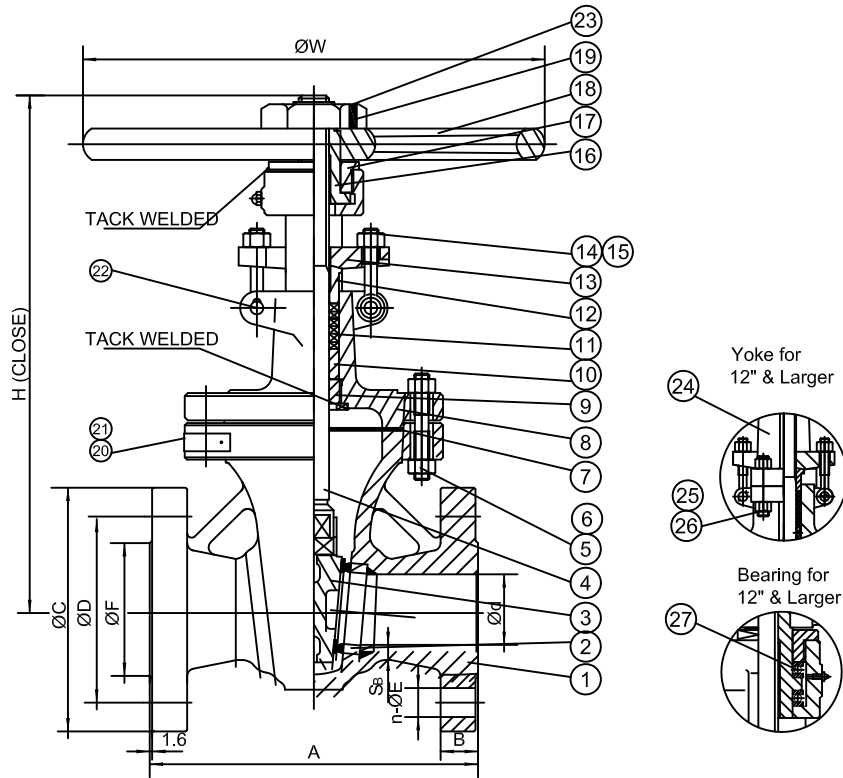


Wm. E. Williams No. 30F2N Class 300 RF OS&Y Gate Valve ASTM A216 WCB (API Trim 8) NACE



ITEM	NAME	MATERIAL	SPECIFICATION	NOTE
1	BODY	CAST STEEL	ASTM A216-WCB	NACE
2	BODY RING	CARBON STEEL	ASTM A105+HF	
3	GATE	CAST STEEL	ASTM A217-CA15(2"-4") ASTM A216-WCB+13%Cr(5"-24")	
4	STEM	STAINLESS STEEL	ASTM A182-F6a	
5	BONNET BOLT	STEEL	ASTM A193-B7M	
6	BONNET NUT	STEEL	ASTM A194-2HM	
7	GASKET		SS304+GRAPHITE	
8	BONNET	CAST STEEL	ASTM A216-WCB	
9	BACKSEAT	STAINLESS STEEL	ASTM A276-410	
10	PACKING CUSHION	STAINLESS STEEL	ASTM A276-410	
11	PACKING RING	GRAPHITE		
12	GLAND	STAINLESS STEEL	ASTM A276-410	
13	GLAND FLANGE	CAST STEEL	ASTM A216-WCB	
14	EYE BOLT	STEEL	ASTM A193-B7M	
15	EYE BOLT NUT	STEEL	ASTM A194-2HM	
16	STEM NUT	NI-RESIST	ASTM A439 D-2	
17	GLAND NUT	CARBON STEEL	ASTM A29-1035	
18	HANDWHEEL	NODULAR CAST IRON		
19	HANDWHEEL NUT	CARBON STEEL	ASTM A29-1035	
20	NAMEPLATE	STAINLESS STEEL	304SS	
21	RIVET	STAINLESS STEEL	304SS	
22	PIN	CARBON STEEL	ASTM A29-1035	
23	SCREW	CARBON STEEL		
24	YOKE	CAST STEEL	ASTM A216-WCB	
25	YOKE BOLT	STEEL	ASTM A193-B7M	
26	YOKE NUT	STEEL	ASTM A194-2HM	
27	BEARING	STEEL		

SIZE	d	A	B	C	D	n	E	F	H	W	S _B
2"	51	216	23	165	127	8	19	92	350	200	10
2.5"	64	241	26	190	149	8	22	105	367	200	11.2
3"	76	283	29	210	168.5	8	22	127	431	250	12
4"	102	305	32	254	200	8	22	157	499	250	13
5"	127	381	35	279	235	8	22	186	553	300	14.5
6"	152	403	37	318	270	12	22	216	647	350	16
8"	203	419	42	381	330	12	25	270	757	400	17.5
10"	254	457	48	445	387.5	16	29	324	927	450	19.5
12"	305	502	51	521	451	16	32	381	1070	500	21
14"	337	762	54	584	514.5	20	32	413	1183	560	22.5
16"	387	838	58	648	571.5	20	35	470	1318	640	24
18"	432	914	61	711	628.5	24	35	533	1478	640	25.4
20"	486	991	64	775	686	24	35	584	1628	720	27
24"	584	1143	70	914	813	24	41	692	1914	900	30.2

NOTE:

1. FLEXIBLE WEDGE

						MARKING SYSTEM	MSS-SP-25	INSPECTION & TEST: API 598	MATERIAL: ASTM A216 GR.WCB	UNITS: Inch, mm
						DIM.OF FLANGE	ANSI B16.5	SHELL	HYDRO	1125PSI
						FACE TO FACE	ANSI B16.10	SEAT	AIR	80PSI
						WALL THICKNESS	API 600	BACK SEAT	HYDRO	815PSI
Δ	1/1/12	RELEASED	F.J.	R.P.	R.P.	DESIGNED	API 600, ANSI B16.34	NACE MR 0175	CHK'D & APR'D BY: R.P.	REV: 1
NO.	DATE	DESCRIPTION	PRP'D	REV'D	APP'D				DRAWN BY: F.J.	SCALE: N.T.S.
									FIG. No.: 30F-2N	DWG No.: 60GA120029-28

WILLIAM E. WILLIAMS VALVE CORPORATION
 38-52 REVIEW AVENUE LONG ISLAND CITY, NY 11101
 TEL: 718-392-1660 FAX: 718-729-5155

TITLE: CAST STEEL GATE VALVE CLASS 300 - API TRIM 8 - R,F,B OS&Y