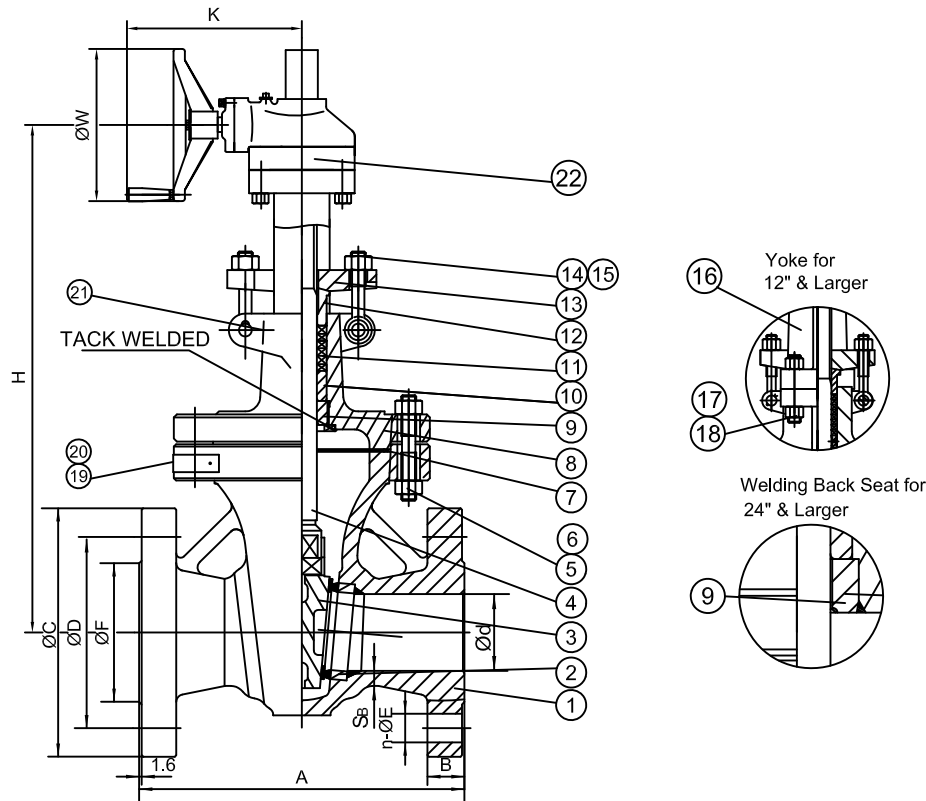


Wm. E. Williams No. 30F62N GO Class 300 RF OS&Y Gate Valve ASTM A216 WCB (API Trim 12) NACE



ITEM	NAME	MATERIAL	SPECIFICATION	NOTE
1	BODY	CAST STEEL	ASTM A216-WCB	NACE
2	BODY RING	CARBON STEEL	ASTM A105+HF	
3	GATE	CAST STEEL	ASTM A216-WCB+316	
4	STEM	STAINLESS STEEL	ASTM A182-F316	
5	BONNET BOLT	STEEL	ASTM A193-B7M	
6	BONNET NUT	STEEL	ASTM A194-2HM	
7	GASKET		SS316+GRAPHITE	
8	BONNET	CAST STEEL	ASTM A216-WCB	
9	BACKSEAT	STAINLESS STEEL	ASTM A276-316	
10	PACKING CUSHION	STAINLESS STEEL	ASTM A276-316	
11	PACKING RING	GRAPHITE		
12	GLAND	STAINLESS STEEL	ASTM A276-316	
13	GLAND FLANGE	CAST STEEL	ASTM A216-WCB	
14	EYE BOLT	STEEL	ASTM A193-B7M	
15	EYE BOLT NUT	STEEL	ASTM A194-2HM	
16	YOKE	CAST STEEL	ASTM A216-WCB	
17	YOKE BOLT	STEEL	ASTM A193-B7M	
18	YOKE NUT	STEEL	ASTM A194-2HM	
19	NAMEPLATE	STAINLESS STEEL	304SS	
20	RIVET	STAINLESS STEEL	304SS	
21	PIN	CARBON STEEL	ASTM A29-1035	
22	GEAR			

NOTE:

1. FLEXIBLE WEDGE

SIZE	d	A	B	C	D	n	E	F	H	W	K	S _B
6"	152	403	37	318	270	12	22	216	692	310	310	16
8"	203	419	42	381	330	12	25	270	771	310	310	17.5
10"	254	457	48	445	387.5	16	29	324	943	460	345	19.5
12"	305	502	51	521	451	16	32	381	1084	460	345	21
14"	337	762	54	584	514.5	20	32	413	1182	460	345	22.5
16"	387	838	58	648	571.5	20	35	470	1324	610	420	24
18"	432	914	61	711	628.5	24	35	533	1490	610	420	25.4
20"	483	991	64	775	686	24	35	584	1525	610	420	27
24"	584	1143	70	914	813	24	41	692	1917	710	500	30.2
26"	635	1245	79	972	876.3	28	45	749	2038	710	500	32.8
28"	686	1346	86	1035	940	28	45	800	2188	710	500	33.5
30"	737	1397	92	1092	997	28	48	857	2423	800	605	34.9
32"	781	1524	98	1149	1054	28	51	914	2548	800	605	36.4
36"	876	1727	105	1270	1168.5	32	54	1022	2877	800	605	41.2

WILLIAM E. WILLIAMS VALVE CORPORATION
 38-52 REVIEW AVENUE LONG ISLAND CITY, NY 11101
 TEL: 718-392-1660 FAX: 718-729-5106

TITLE: CAST STEEL GATE VALVE CLASS 300 - API TRIM 12 - GEAR OPERATED

MARKING SYSTEM	MSS-SP-25	INSPECTION & TEST: API 598	MATERIAL: ASTM A216 GR.WCB	UNITS: Inch, mm
DIM.OF FLANGE	ANSI B16.5	SHELL HYDRO 1125PSI	CLASS: 300	DATE: 1/1/12
FACE TO FACE	ANSI B16.10	SEAT AIR 80PSI	SIZE: 6" - 36"	SCALE: N.T.S.
WALL THICKNESS	API 600	BACK SEAT HYDRO 815PSI	DRAWN BY: F.J.	FIG. No.: 30F-62N GO
NO.	DATE	DESCRIPTION	CHK'D & APR'D BY: R.P.	REV: 1 DWG No.: 60GA120030-28