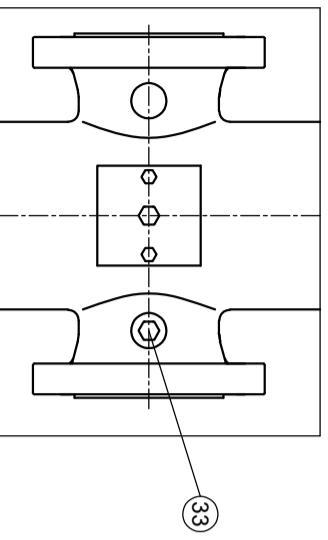


ITEM	NAME	MATERIAL	NOTE
1	BODY	ASTM A216-WCC	
2	GATE	A515 GR70+ENP	
3	SEGMENT	A515 GR70+ENP	
4	SKIRT	ASTM A276-410	
5	O RING	VITON A	
6	SEAT	ASTM A105N+ENP+RPTFE	
7	GATE CENTRALIZER	ASTM A276-410	
8	PIN	ASTM A276-410	
9	STEM	ASTM A182-F316	
10	GASKET	316+GRAPHITE	
11	BONNET	ASTM A105N	
12	YOKE TUBE ASSLY	AISI 1020	
13	BOLT	ASTM A193-B7	
14	NUT	ASTM A194-2H	
15	BEARING BOX	AISI 1020	
16	HANDWHEEL	ASTM A536 60-40-18	
17	STEM PROTECT & INDICATION PLASTIC		
18	STEM NUT	BRONZE	
19	NEEDLE BEARING	AISI 52100	
20	BOLT	ASTM A193-B7	
21	NUT	ASTM A194-2H	
22	BOLT	ASTM A193-B7	
23	NUT	ASTM A194-2H	
24	NUT	ASTM A194-2H	
25	GLAND FLANGE	ASTM A216-WCC	
26	GLAND FOLLOWER	ASTM A276-316	
27	LANTERN RING	ASTM A276-316	
28	PACKING	INCONEL600+GRAPHITE	
29	PACKING FITTING	ASTM A276-316	
30	AUTOVENT VALVE	ASTM A276-316	
31	VENT VALVE	ASTM A276-316	
32	INJECTION FITTING	ASTM A276-316	
33	PLUG	ASTM A276-316	

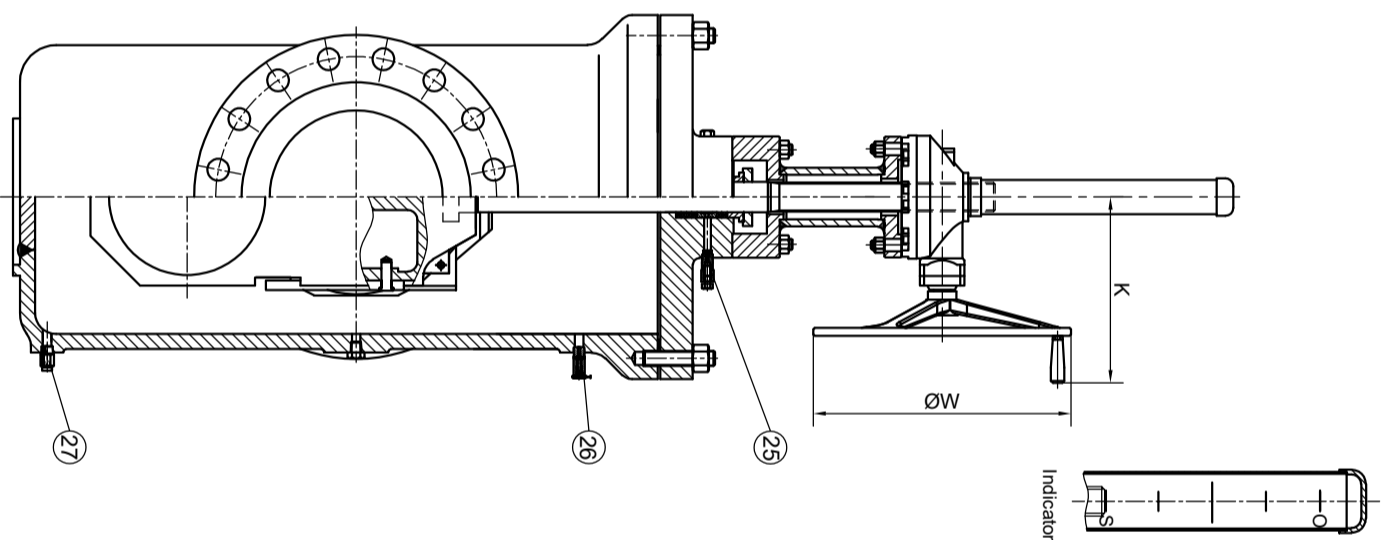
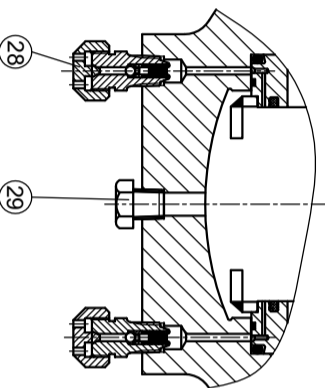
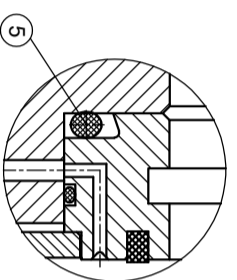
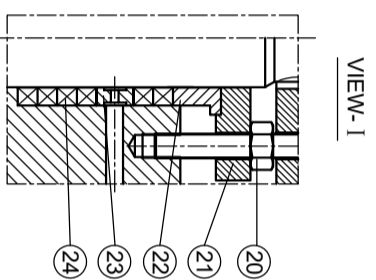
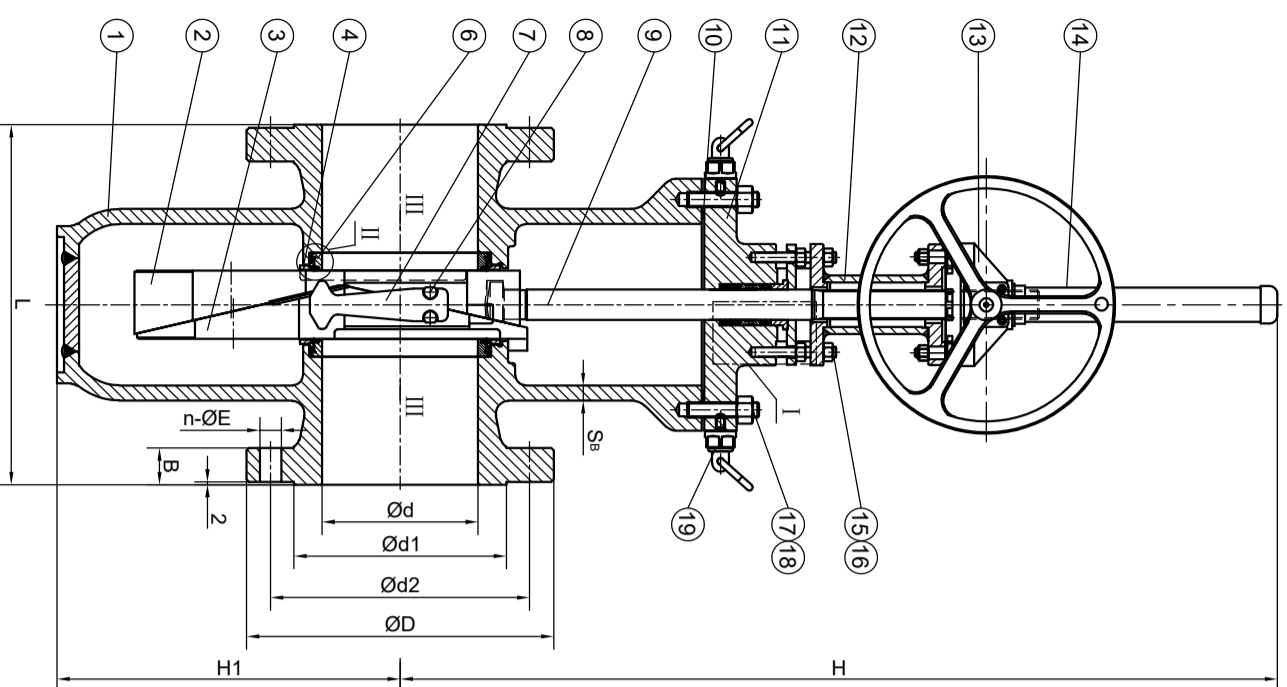
ITEM	FIG NO.	SIZE	UNIT	d	d1	d2	D	B	n	E	L	H	H1	W	S _b	Weight(lbs/kgs)
1	39F61RT WCC	2"	mm	49	92.1	127	165	22.7	8	19	216	451	122	250	9.7	119/54
2	39F61RT WCC	3"	mm	74	127	168.3	210	29	8	22	283	606	176	250	11.9	187/85
3	39F61RT WCC	4"	mm	100	157.2	200	255	32.2	8	22	305	720	219	350	12.7	247/112
4	39F61RT WCC	6"	mm	150	215.9	269.9	320	37	12	22	403	1043	324	560	16	529/240



NO.	DATE	DESCRIPTION	PRPD	REV'D	APP'D	DESIGNED	APR 6D, ANSI B16.34	MARKING SYSTEM	MSS-SP-25	INSPECTION & TEST: API 598	TITLE:	CAST STEEL API 6D EXPANDING GATE VALVE
4/4/19	RELEASED	F.J.	E.C.	E.C.		FACE TO FACE	API 6D	DIM.OF FLANGE	ANSI B16.5	SHELL	HYDRO 1125PSI	CLASS: 300
						WALL THICKNESS	API 6D	SEAT	80PSI	AIR	80PSI	DATE: 09/20/19
						BACK SEAT	HYDRO 825PSI	BACK SEAT	HYDRO 825PSI			SCALE: N.T.S.
												FIG. No.: 39F61RT WCC
												CHK'D & APR'D BY: E.C.
												REV: 1
												DWG No.:

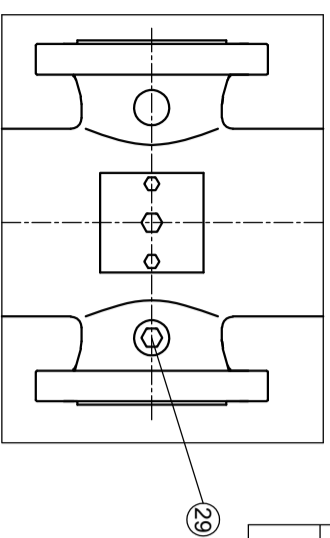
WILLIAM E. WILLIAMS
VALVE CORPORATION
38-52 REVIEW AVENUE
LONG ISLAND CITY, NY 11101
TEL: 718-392-1660
FAX: 718-729-5106
WWW.WILLIAMSVALVE.COM

Wm. E. Williams No.39F61D WCC GO Class 300 RF API 6D Expanding Gate Valve ASTM A216 WCC



ITEM	NAME	MATERIAL	NOTE
1	BODY	ASTM A216-WCC	
2	GATE	A515 GR70+ENP	
3	SEGMENT	A515 GR70+ENP	
4	SKIRT	ASTM A276-410	
5	O RING	VITON A	
6	SEAT	ASTM A105N+ENP+DEVILON	
7	GATE CENTRALIZER	ASTM A276-410	
8	PIN	ASTM A276-410	
9	STEM	ASTM A182-F316	
10	GASKET	316+GRAPHITE	
11	BONNET	ASTM A105N	
12	YOKE TUBE ASS'LY	AISI 1020	
13	GEAR BOX	ASTM A216-WCB	
14	STEM PROTECT & INDICATION PLASTIC		
15	BOLT	ASTM A193-B7	
16	NUT	ASTM A194-2H	
17	BOLT	ASTM A193-B7	
18	NUT	ASTM A194-2H	
19	LIFT	AISI 4140	
20	NUT	ASTM A194-2H	
21	GLAND FLANGE	ASTM A216-WCC	
22	GLAND FOLLOWER	ASTM A276-316	
23	LANTERN RING	ASTM A276-316	
24	PACKING	INCONEL600+GRAPHITE	
25	PACKING FITTING	ASTM A276-316	
26	AUTOVENT VALVE	ASTM A276-316	
27	VENT VALVE	ASTM A276-316	
28	INJECTION FITTING	ASTM A276-316	
29	PLUG	ASTM A276-316	

ITEM	FIG NO.	SIZE	UNIT	d	d1	d2	D	B	n	E	L	H	H1	W	K	Sa	Weight(lbs/kgs)
1	39F61D WCC GO	8"	mm	203	269.9	330.2	380	41.7	12	25	419	1230	415	460	345	17.5	935/424
2	39F61D WCC GO	10"	mm	254	323.8	387.4	445	48.1	16	29	457	1430	486.5	460	345	19.1	1102/500
3	39F61D WCC GO	12"	mm	305	381	450.8	520	51.3	16	32	502	1690	576.5	610	420	20.6	1669/757
		12"	in	12.0	15.0	17.75	20.5	2.02	16	1-1/4	19.75	66.54	22.7	24.02	16.54	0.75	



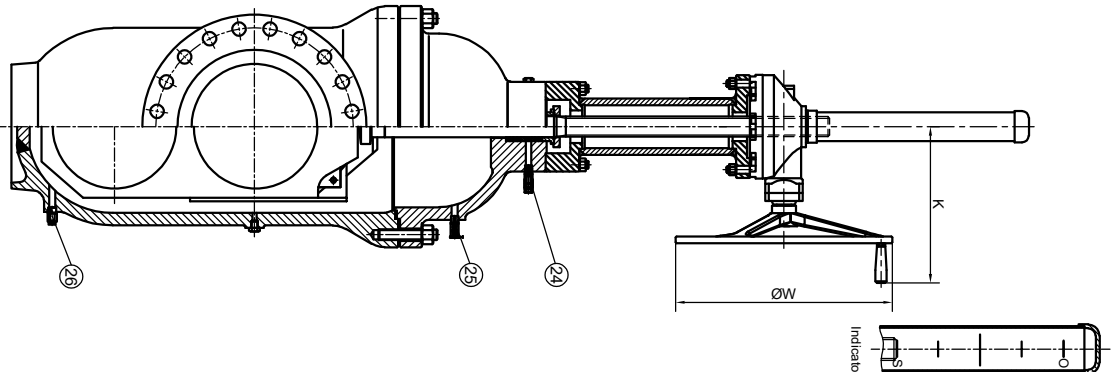
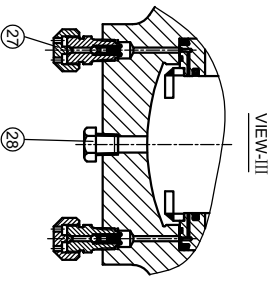
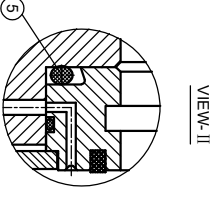
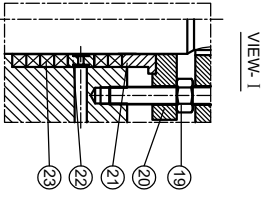
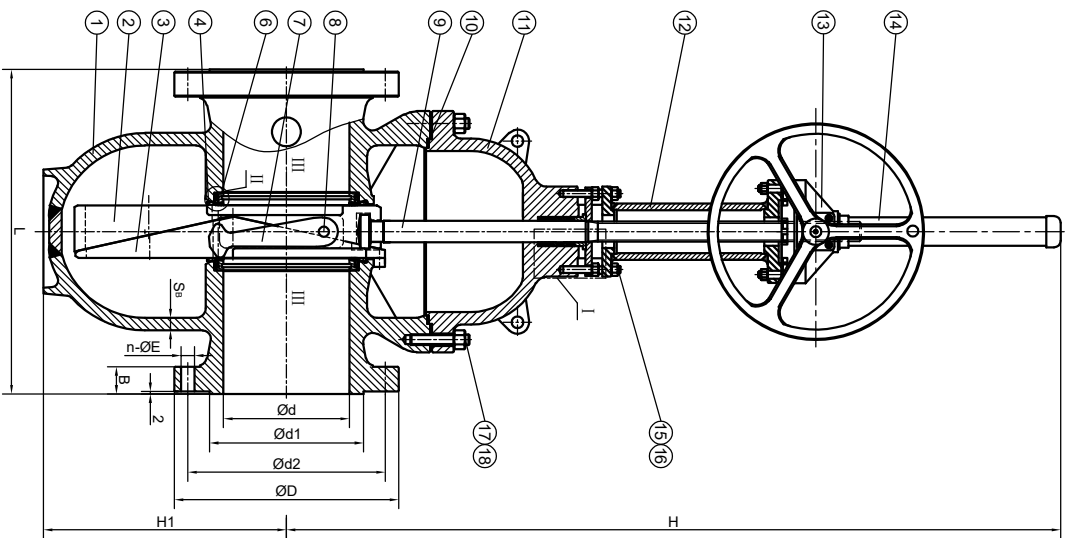
NO.	DATE	DESCRIPTION	PRPD	REV'D	APP'D	DESIGNED
4/4/19	RELEASED	F.J.	E.C.	E.C.		

MARKING SYSTEM	MSS-SP-25	INSPECTION & TEST: API 598
DIM.OF FLANGE	ANSI B16.5	SHELL HYDRO 1125PSI
FACE TO FACE	API 6D	SEAT AIR 80PSI
WALL THICKNESS	API 6D	BACK SEAT HYDRO 825PSI

TITLE:	CAST STEEL API 6D EXPANDING GATE VALVE	UNITS:	Inch, mm
MATERIAL:	ASTM A216 WCC	SCALE:	N.T.S.
CLASS:	300	DATE:	09/20/19
SIZE:	8"-12"	FIG. No.:	39F61D WCC GO
DRAWN BY:	F.J.	CHK'D & APR'D BY:	E.C.
REV:	1	DWG No.:	

WILLIAM E. WILLIAMS VALVE CORPORATION
 38-52 REVIEW AVENUE
 LONG ISLAND CITY, NY 11101
 TEL: 718-392-1660
 FAX: 718-729-5106
 WWW.WILLIAMSVALVE.COM

Wm. E. Williams No.39F61D WCC GO Class 300 RF API 6D Expanding Gate Valve ASTM A216 WCC



ITEM	NAME	MATERIAL	NOTE
1	BODY	ASTM A216-WCC	
2	GATE	A515 GR70+ENP	
3	SEGMENT	A515 GR70+ENP	
4	SKIRT	ASTM A276-410	
5	O RING	VITON A	
6	SEAT	ASTM A105N+ENP+DEVILON	
7	GATE CENTRALIZER	ASTM A276-410	
8	CENTRALIZER SHAFT	ASTM A276-420	
9	STEM	ASTM A182-F316	
10	GASKET	316+GRAPHITE	
11	BONNET	ASTM A216-WCC	
12	YOKE TUBE ASSLY	ANSI 1020	
13	GEAR BOX	ASTM A216-WCB	
14	STEM PROTECT & INDICATION PLASTIC		
15	BOLT	ASTM A193-B7	
16	NUT	ASTM A194-2H	
17	BOLT	ASTM A193-B7	
18	NUT	ASTM A194-2H	
19	NUT	ASTM A194-2H	
20	GLAND FLANGE	ASTM A216-WCC	
21	GLAND FOLLOWER	ASTM A276-316	
22	LANTERN RING	ASTM A276-316	
23	PACKING	INCONEL600+GRAPHITE	
24	PACKING FITTING	ASTM A276-316	
25	AUTOVENT VALVE	ASTM A276-316	
26	VENT VALVE	ASTM A276-316	
27	INJECTION FITTING	ASTM A276-316	
28	PLUG	ASTM A276-316	

ITEM	FIG. NO.	SIZE	UNIT	d	d1	d2	D	B	n	E	L	H	H1	W	K	Sa	Weight(lbs/kgs)
1	39F61D WCC GO	30"	mm	737	857	997	1090	92.5	28	48	1397	354.3	1340	800	605	35	13889/6300
		30"	in	P9.02	33.75	39.25	43.0	3.64	28	1-7/8	55.0	139.49	52.76	31.5	23.82	1.38	

NO.	DATE	RELEASED	DESCRIPTION	PRPD	REV'D	APP'D	DESIGNED	API 6D, ANSI B16.34	MARKING SYSTEM	MSS-SP-25	INSPECTION & TEST: API 598	FACE TO FACE	API 6D	SEAT	80PSI	WALL THICKNESS	API 6D	BACK SEAT	HYDRO	825PSI	SIZE: 30"	CLASS: 300	DATE: 09/20/19	SCALE: N.T.S.	FIG. NO.: 39F61D WCC GO
Δ	4/4/19	RELEASED		F.J.	E.C.	E.C.	DESIGNED	API 6D, ANSI B16.34	ANSI B16.47A	SHELL	HYDRO	AIR	80PSI								CHKD & APP'D BY: E.C.	REV: 1	DWG No.:		

WILLIAM E. WILLIAMS
 VALVE CORPORATION
 3852 REVERE AVENUE
 LONG ISLAND CITY, NY 11101
 TEL: 718-392-1660
 FAX: 718-729-5105
 WWW.WILLIAMSVALVE.COM

TITLE: CAST STEEL API 6D EXPANDING GATE VALVE
 CLASS 300 - API 6D - RF - GEAR OPERATED