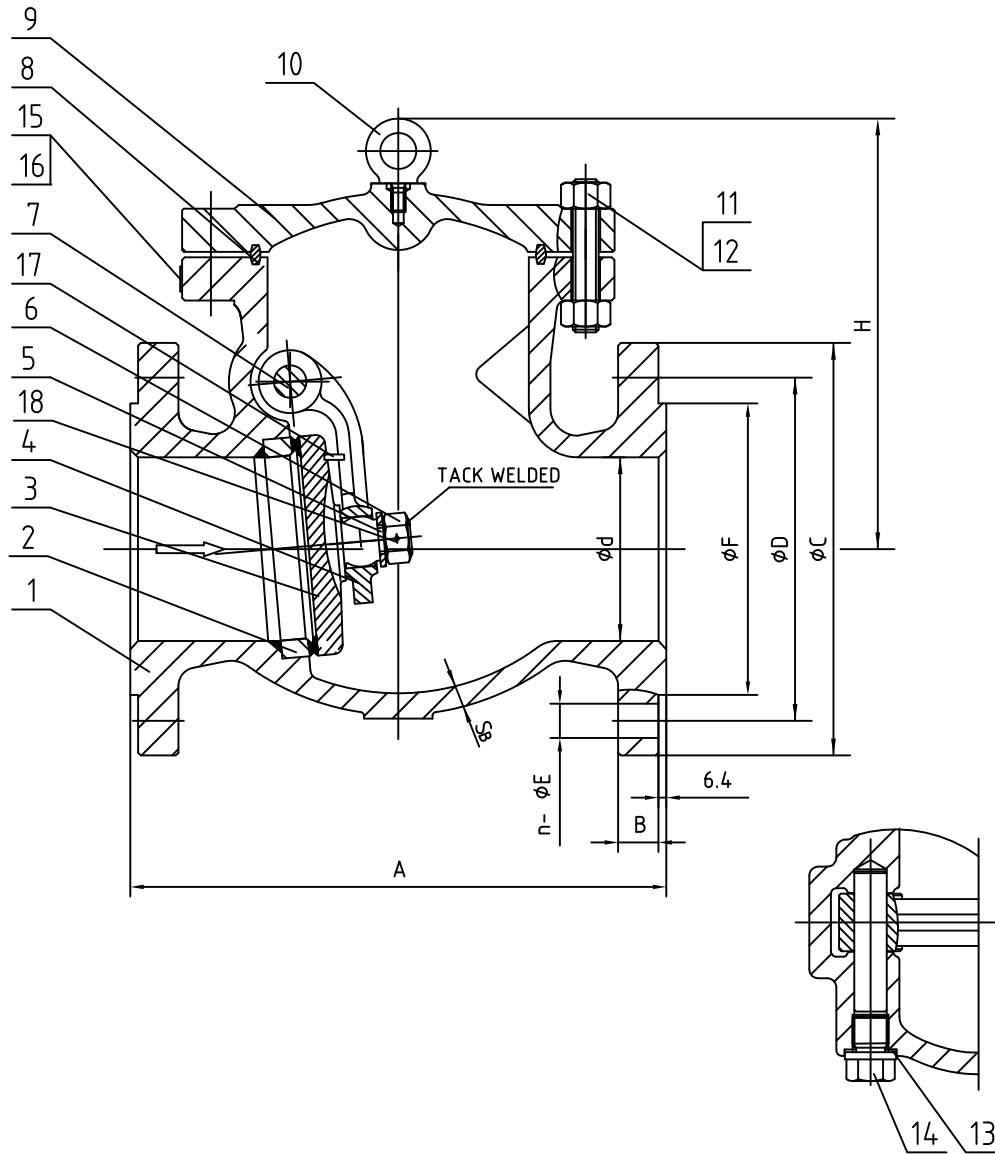


Wm. E. Williams No. 601F2N Class 600 RF Swing Check Valve ASTM A216 WCB (API Trim 8) NACE



ITEM	NAME	MATERIAL	SPECIFICATION	NOTE
1	BODY	CAST STEEL	ASTM A216-WCB	NACE
2	BODY RING	CARBON STEEL	ASTM A105+HF	
3	DISC	CARBON STEEL	ASTM A105+13%Cr	
4	HINGE	CAST STEEL	ASTM A216-WCB	
5	GASKET	STAINLESS STEEL	ASTM A276-410	
6	NUT	STAINLESS STEEL	ASTM A276-410	
7	PIN	STAINLESS STEEL	ASTM A276-410	
8	GASKET, RING JOINT	STEEL	08F	
9	BONNET	CAST STEEL	ASTM A216-WCB	
10	EYEBOLT	CARBON STEEL	ASTM A29-1035	
11	NUT	STEEL	ASTM A194-2HM	
12	BOLT	STEEL	ASTM A193-B7M	
13	GASKET	STAINLESS STEEL	ASTM A276-304	
14	PLUG	STAINLESS STEEL	ASTM A276-410	
15	NAMEPLATE	STAINLESS STEEL	304SS	
16	RIVET	STAINLESS STEEL	304SS	
17	PIN	CARBON STEEL	ASTM A29-1020	
18	PIN	STAINLESS STEEL	316SS	

SIZE	d	A	B	C	D	n	E	F	H	S _b
2"	51	292	26	165	127	8	19	92	152	11.2
2-1/2"	64	330	29	190	149	8	22	105	185	12
3"	76	356	32	210	168	8	22	127	187	12.7
4"	102	432	38	273	216	8	25	157	266	15.8
5"	127	508	44.5	330	266.5	8	29	186	316	18
6"	152	559	48	356	292	12	29	216	355	19.1
8"	200	660	56	419	349	12	32	270	485	26
10"	248	787	64	508	432	16	35	324	545	29
12"	298	838	67	559	489	20	35	381	615	32
14"	327	889	70	603	527	20	38	413	570	35.1
16"	375	991	77	686	603	20	41	470	713	38.1
18"	419	1092	83	743	654	20	44	533	828	42
20"	464	1194	89	813	724	24	44	584	785	44.5
24"	559	1397	102	940	838	24	52	692	850	50.8


WILLIAMS
 VALVE CORPORATION
38-52 REVIEW AVENUE
 LONG ISLAND CITY, NY 11101
 TEL: 718-392-1660
 FAX: 718-729-5106

TITLE: CAST STEEL SWING CHECK VALVE
CLASS 600 - API TRIM 8 - BC, RF

					MARKING SYSTEM	MSS-SP-25	INSPECTION & TEST: API 598			MATERIAL: ASTM A216 GR.WCB	UNITS: Inch, mm	
					DIM.OF FLANGE	ANSI B16.5	SHELL	HYDRO	2250PSI	CLASS: 600	DATE: 03/31/15	SCALE: N.T.S.
					FACE TO FACE	ANSI B16.10	SEAT	AIR	N/A	SIZE: 2" - 24"	FIG. No.: 601F-2N	
					WALL THICKNESS	ANSI B16.34	HPC SEAT	HYDRO	1630PSI	DRAWN BY: F.J.		
NO.	DATE	DESCRIPTION	PRP'D	REV'D	APP'D	DESIGNED	API 594, ANSI B16.34	NACE MR 0175	CHK'D & APR'D BY: R.P.	REV: 1	DWG No.: 60SC120129-28	