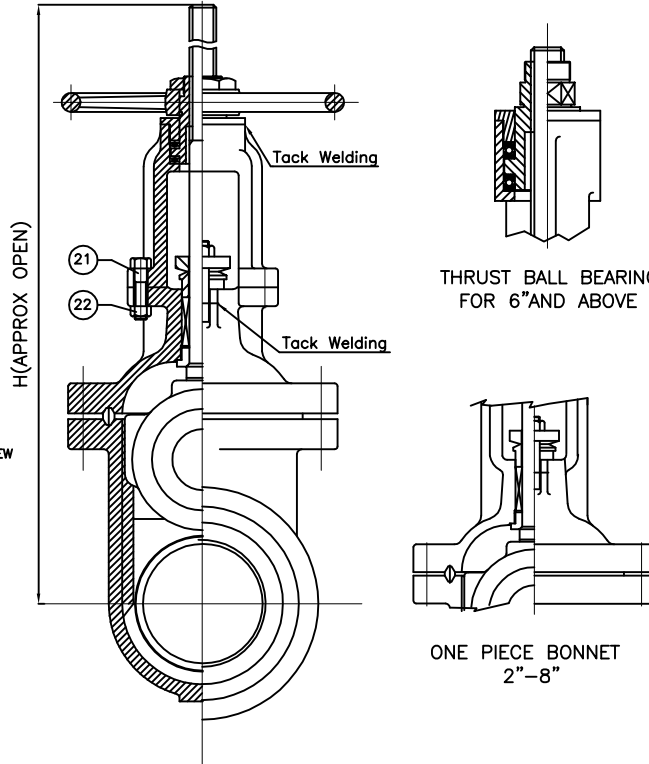
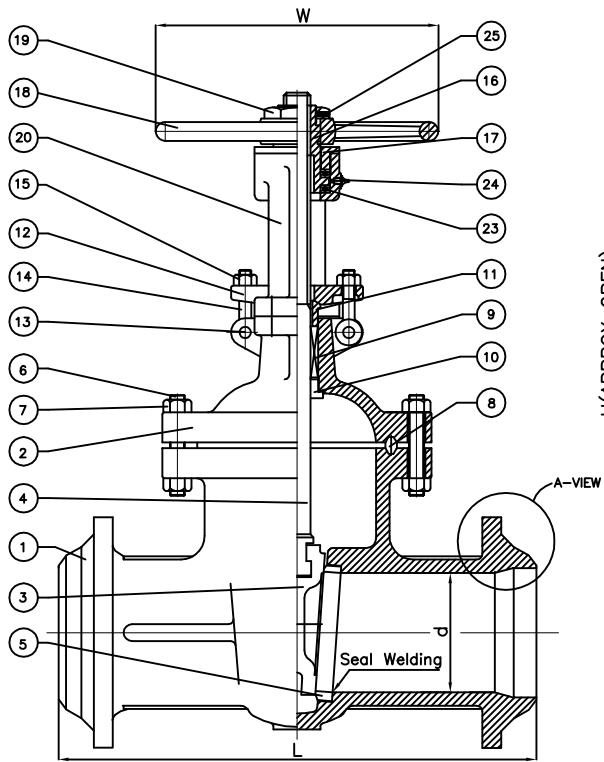


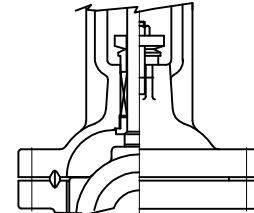
Wm. E. Williams No. 60W2N Class 600 BW OS&Y Gate Valve ASTM A 216 WCB (API Trim 8) NACE

BILL OF MATERIALS

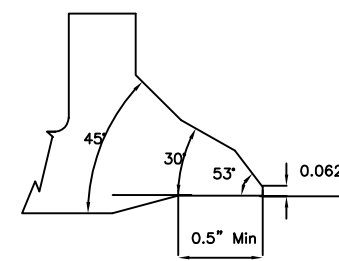
NO.	PART NAME	MATERIALS	Q'TY
1	BODY	A216 Gr WCB	1
2	BONNET	A216 Gr WCB	1
3	WEDGE	A216 Gr WCB W/13Cr Welding	1
4	STEM	A479 Gr 410 (13Cr)	1
5	SEAT RING	A105N + HF	2
6	BONNET BOLT	A193 Gr B7M	1SET
7	BONNET NUT	A194 Gr 2HM	1SET
8	GASKET	METAL	1
9	PACKING	GRAPHITE WITH CORROSION INHIBITOR AND DIE FORMED RINGS	1SET
10	BACK SEAT	A479 Gr 410	1
11	GLAND RING	A479 Gr 410	1
12	GLAND FLANGE	WCB	1
13	GLAND BOLT PIN	A105N	2
14	GLAND BOLT	A193 Gr B7M	2
15	GLAND NUT	A194 Gr 2HM	2
16	YOKE SLEEVE	A439 Gr D2C	1
17	SLEEVE NUT	WCB	1
18	HAND WHEEL	A197	1
19	HANDLE NUT	WCB	1
20	YOKE	A216 Gr WCB	1
21	YOKE BOLT	A193 Gr B7M	4
22	YOKE BOLT NUT	A194 Gr 2HM	4
23	BEARING	STEEL	2
24	NIPPLE	STEEL	1
25	SET SCREW	STEEL	1



THRUST BALL BEARING FOR 6" AND ABOVE



ONE PIECE BONNET 2"-8"



A-VIEW

SIZE	d	L	H	W
2.00	2.00	11.50	16.50	7.87
2.50	2.50	13.00	18.00	8.87
3.00	3.00	14.00	20.12	9.87
4.00	4.00	17.00	25.00	14.00
5.00	5.00	20.00	30.50	15.75
6.00	6.00	22.00	33.62	17.75
8.00	7.88	26.00	42.37	20.00
10.00	9.75	31.00	49.00	25.00
12.00	11.75	33.00	68.50	27.00
14.00	12.88	35.00	69.00	31.50
16.00	14.75	39.00	74.00	35.50
18.00	16.50	43.00	84.25	43.00
20.00	18.25	47.00	93.50	51.00
24.00	22.00	55.00	110.00	51.00

Remark: Larger sizes available upon request.

NOTE:

- SPECIFY PIPE SCHEDULE No. REQUIRED.
- FLEXIBLE WEDGE

WILLIAM E. WILLIAMS VALVE CORPORATION
 28-52 REVIEW AVENUE LONG ISLAND CITY, NY 11101
 TEL: 718-392-1660 FAX: 718-729-5156

TITLE: CAST STEEL GATE VALVE CLASS 600 - API TRIM 8 - B, B OS&Y, BUTTWELD END

MATERIAL: ASTM A216 GR.WCB	UNITS: Inch, mm
CLASS: 600	DATE: 01/01/12
SCALE: N.T.S.	FIG. No.: 60W-2N
SIZE: 2" - 24"	DRAWN BY: F.J.
MARKING SYSTEM	MSS-SP-25
BUTTWELDING END	ANSI B16.25
FACE TO FACE	ANSI B16.10
WALL THICKNESS	API 600
INSPECTION & TEST: API 598	HYDRO 2250PSI
SHELL	AIR 80PSI
SEAT	HYDRO 1630PSI
BACK SEAT	HYDRO 1630PSI
NACE MR 0175	CHK'D & APR'D BY: R.P.
REV: 1	DWG No.: 60GA120060

NO.	DATE	DESCRIPTION	PRP'D	REV'D	APP'D	DESIGNED
1	1/1/12	ISSUED FOR PROPOSAL				