

ITEM	NAME	SPECIFICATION	NOTE
1	BODY	ASTM A216-WCC	
2	SEAT	ASTM A105N+ENP+DEVLOX	
3	SLAB GATE	A515 GR 70 +ENP	
4	SPRING	INCONEL X750	
5	BONNET	ASTM A105N	
6	BOLT	ASTM A193-B7M	
7	NUT	ASTM A194-2HM	
8	STEM	ASTM A182-F316	
9	YOKE TUBE ASSLY	AISI 1020	
10	NEEDLE BEARING	AISI 52100	
11	HANDWHEEL	ASTM A536 60-40-18	
12	CONNECTING NUT	AISI 1020	
13	STEM PROTECT&INDICATION	PLASTIC	
14	BOLT	ASTM A193-B7M	
15	NUT	ASTM A194-2HM	
16	GASKET	316+GRAPHITE	
17	STEM NUT	ZCUAL-9	
18	BEARING BOX	AISI 1020	
19	PACKING FITTING	ASTM A276-316	
20	VENT VALVE	ASTM A276-316	
21	INJECTION FITTING	ASTM A276-316	
22	PLUG	ASTM A276-316	
23	NUT	ASTM A194-2HM	
24	GLAND FLANGE	ASTM A216-WCC	
25	GLAND FOLLOWER	ASTM A276-316	
26	LANTERN RING	ASTM A276-316	
27	PACKING	INCONEL 600+GRAPHITE	
28	O RING	VITON A	

ITEM	FIG NO	SIZE	UNIT	ØD	ØD1	ØD2	ØD	b	n-ØE	L	H (shut)	H (open)	H1	ØW	Sb	Weight(lbs/kg)
01	68F61DWCC	3"	mm	74	127	168.3	210	31.8	8-Ø22	386	586	679	198	300	12.7	220/100
		3"	Inch	2.94	5.0	6.62	8.25	1.25	8-Ø0.87	14.0	23.07	26.73	7.8	11.8	0.5	
02	68F61DWCC	4"	mm	100	157.2	215.9	275	38.1	8-Ø25	432	640.5	764	251	300	16	326/148
		4"	Inch	3.94	6.2	8.5	10.75	1.50	8-Ø0.98	17.0	25.2	30.07	9.88	11.8	0.63	

**WILLIAM E. WILLIAMS**  
VALVE CORPORATION  
WWW.WILLIAMSVALVE.COM

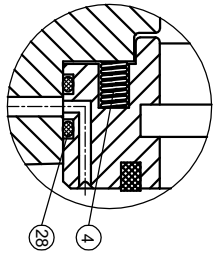
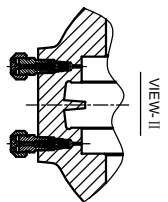
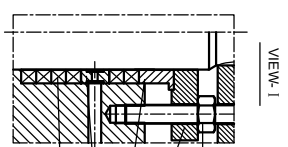
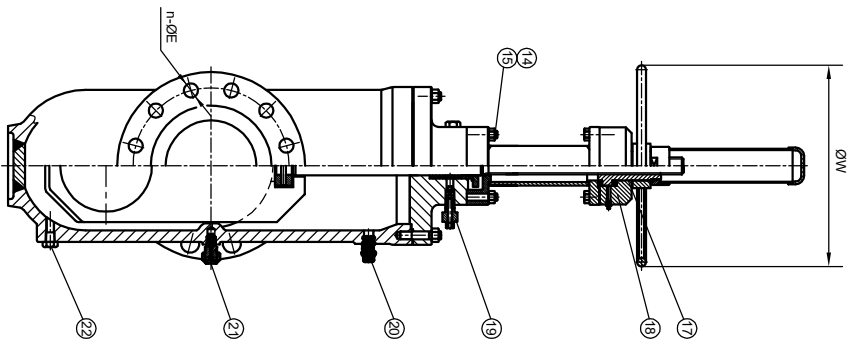
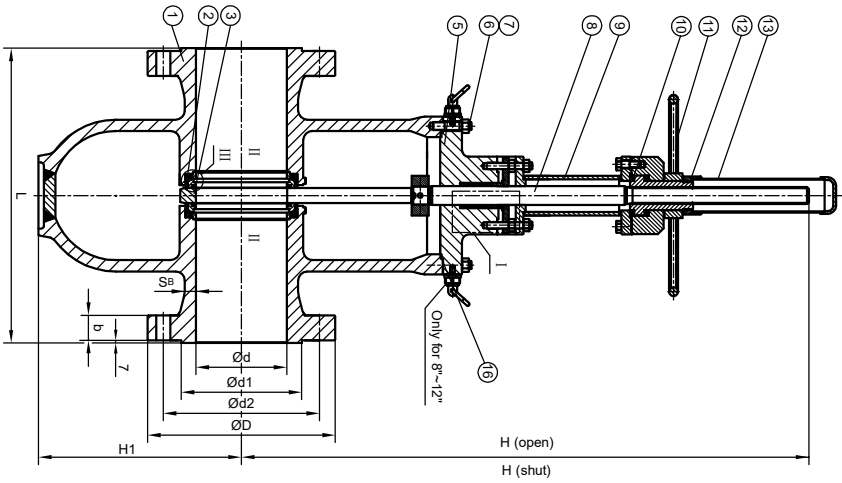
38-59 REVIEW AVENUE  
LONG BEACH CITY, NY 11011  
TEL: 718-932-1660  
FAX: 718-932-5106

TITLE: CAST STEEL API 6D GATE VALVE  
CLASS 600 - API 6D - HANDWHEEL OPERATED

MATERIAL: ASTM A216 WCC  
CLASS: 600  
DATE: 04/25/19  
SCALE: N.T.S.

UNITS: Inch, mm  
FIG. NO.: 68F61DWCC

NO	DATE	DESCRIPTION	PRPD	REV'D	APPD	DESIGNED	APR 6D	ANSI B16.34	NACE MR 0175	CHK'D & APR'D BY:	REV:	DWG NO.:
Δ	04/25/19	RELEASED	F.J.	E.C.	E.C.	WALL THICKNESS	API 6D	ANSI B16.34	HYDRO 1650PSI	F.J.	1	68F61DWCC



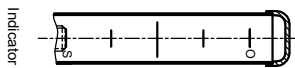
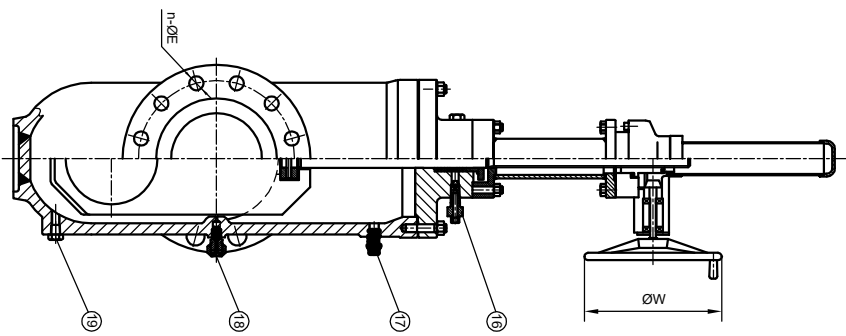
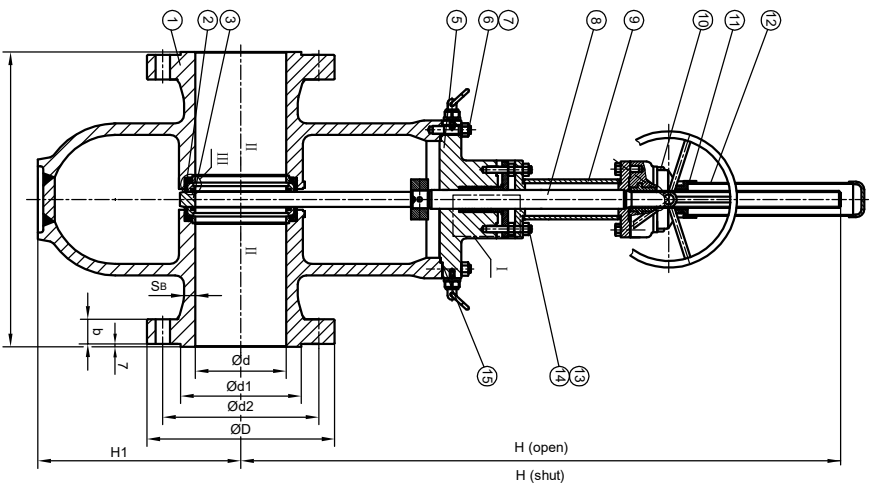
ITEM	NAME	SPECIFICATION	NOTE
1	BODY	ASTM A216-WCC	
2	SEAT	ASTM A105N+ENP+DEVLOIN	
3	SLAB GATE	A515 GR 70 +ENP	
4	SPRING	INCONEL X750	
5	BONNET	ASTM A105N	
6	BOLT	ASTM A193-B7M	
7	NUT	ASTM A194-2HM	
8	STEM	ASTM A182-F316	
9	YOKE TUBE ASSLY	AISI 1020	
10	THRUST BALL BEARINGS	AISI 52100	
11	HANDWHEEL	ASTM A536 60-40-18	
12	CONNECTING NUT	AISI 1020	
13	STEM PROTECT&INDICATION	PLASTIC	
14	BOLT	ASTM A193-B7M	
15	NUT	ASTM A194-2HM	
16	GASKET	316+GRAPHITE	
17	STEM NUT	ZCUAL-9	
18	BEARING BOX	AISI 1020	
19	PACKING FITTING	ASTM A276-316	
20	VENT VALVE	ASTM A276-316	
21	INJECTION FITTING	ASTM A276-316	
22	PLUG	ASTM A276-316	
23	NUT	ASTM A194-2HM	
24	GLAND FLANGE	ASTM A216-WCC	
25	GLAND FOLLOWER	ASTM A276-316	
26	LANTERN RING	ASTM A276-316	
27	PACKING	INCONEL 600+GRAPHITE	
28	O RING	VITON A	

ITEM	FIG NO	SIZE	UNIT	ØD	ØD1	ØD2	ØD	b	n-ØE	L	H (shut)	H (open)	H1	ØW	Sø	Weight(lbs/ kgs)
01	68F61DWCC	6"	mm	150	215.9	292.1	365	47.7	12-Ø29	559	852.5	1033.5	337	500	19.1	688/312
02	68F61DWCC	8"	mm	201	269.9	349.2	420	56.6	12-Ø32	660	1028	1257	454	560	25.4	1202/545
03	68F61DWCC	10"	mm	252	323.8	431.8	510	63.5	16-Ø35	787	1208	1495.5	520	720	28.7	1940/880
04	68F61DWCC	12"	mm	303	381	489	560	66.7	20-Ø35	838	1348	1681	599.5	720	31.8	2227/1010
		12"	Inch	11.94	15.0	19.3	22.0	2.63	20-Ø1.38	33.0	53.07	66.18	23.6	28.3	1.25	

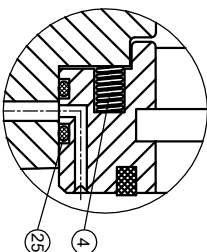
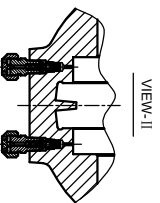
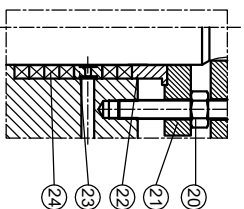
**WILLIAM E. WILLIAMS**  
 VALVE CORPORATION  
 38-59 REVIEW AVENUE  
 LONG BEACH, CA 90801  
 TEL: 714-992-1660  
 FAX: 714-978-5106

NO	DATE	DESCRIPTION	PRPD	REV'D	APPD	DESIGNED	APR 6D ANS B16.34	NACE MR 0175	CHK'D & APP'D BY:	REV:	DWG NO.:
Δ	04/25/19	RELEASED	F.J.	E.C.	E.C.	WALL THICKNESS	API 600	BACK SEAT HYDRO 1650PSI	F.J.	1	68F61DWCC

TITLE: CAST STEEL API 6D GATE VALVE  
 CLASS 600 - API 6D - HANDWHEEL OPERATED  
 MATERIAL: ASTM A216 WCC  
 CLASS: 600  
 DATE: 04/25/19  
 UNITS: Inch, mm  
 SCALE: N.T.S.  
 FIG. NO.: 68F61DWCC



ITEM	NAME	SPECIFICATION	NOTE
1	BODY	ASTM A216-WCC	
2	SEAT	ASTM A105N+ENP+DEVION	
3	SLAB GATE	A515 GR.70+ENP	
4	SPRING	INCONEL X750	
5	BONNET	ASTM A105N	
6	BOLT	ASTM A193-B7M	
7	NUT	ASTM A194-2HM	
8	STEM	ASTM A182-F316	
9	YOKE TUBE ASS'LY	ASIS 1020	
10	GEAR	ASTM A216-WCB	
11	CONNECTING NUT	ASIS 1020	
12	STEM PROTECT & INDICATION	PLASTIC	
13	BOLT	ASTM A193-B7M	
14	NUT	ASTM A194-2HM	
15	GASKET	316+GRAPHITE	
16	PACKING FITTING	ASTM A276-316	
17	VENT VALVE	ASTM A276-316	
18	INJECTION FITTING	ASTM A276-316	
19	PLUG	ASTM A276-316	
20	NUT	ASTM A194-2HM	
21	GLAND FLANGE	ASTM A216-WCC	
22	GLAND FOLLOWER	ASTM A276-316	
23	LANTERN RING	ASTM A276-316	
24	PACKING	INCONEL 600+GRAPHITE	
25	O RING	VITON A	



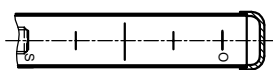
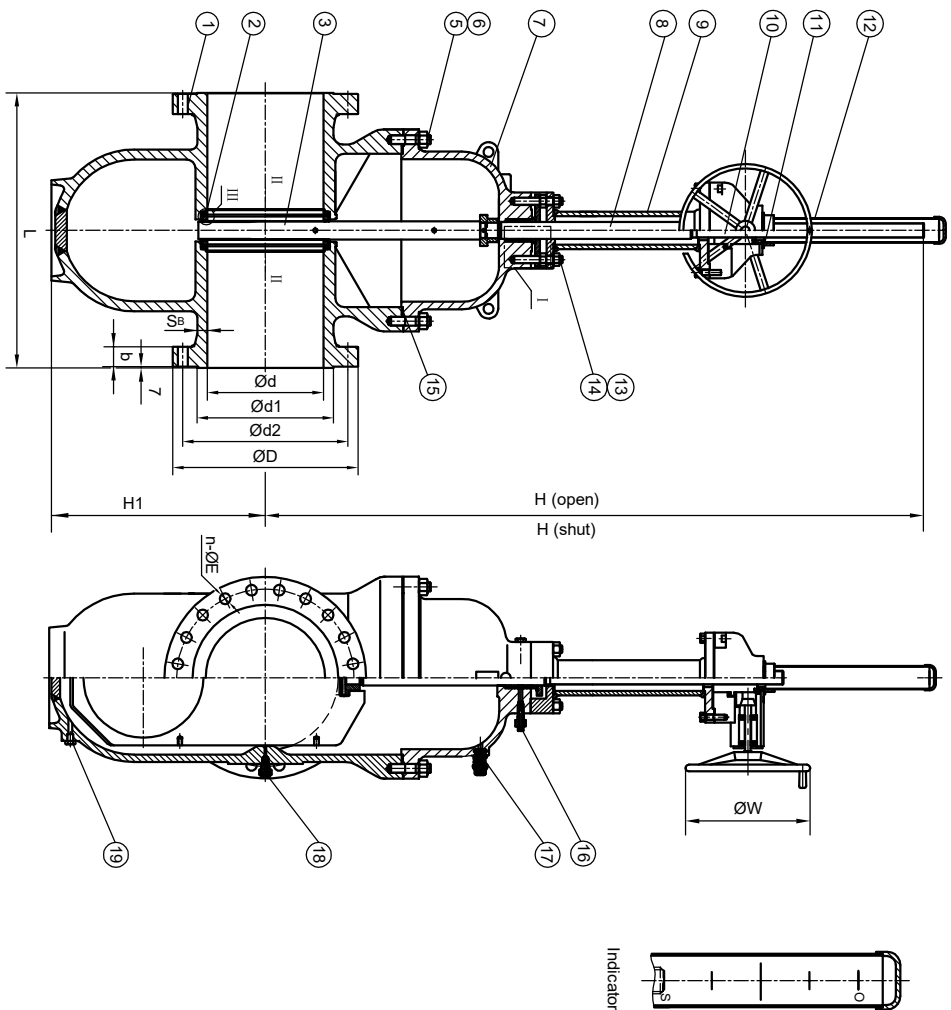
ITEM	FIG NO	SIZE	UNIT	Ød	Ød1	Ød2	ØD	b	n-ØE	L	H (shut)	H (open)	H1	ØW	Ss	Weight(lbs/kg)
01	68F61DWCCGO	8"	mm	201	269.9	349.2	420	55.6	12-Ø32	660	1063	1292	454	460	25.4	1257/570
02	68F61DWCCGO	10"	mm	252	323.8	431.8	510	63.5	16-Ø35	787	1181	1488.5	520	460	28.7	1984/900
03	68F61DWCCGO	12"	mm	303	381	489	560	66.7	20-Ø35	838	1348	1681	599.5	610	31.8	2628/1192

**WILLIAM E. WILLIAMS**  
 VALVE CORPORATION  
 198-59 REVIEW AVENUE  
 LONG BEACH, CA 90801  
 TEL: 714-932-1660  
 FAX: 714-932-5106

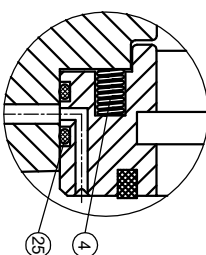
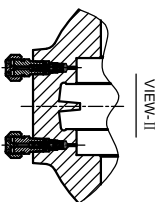
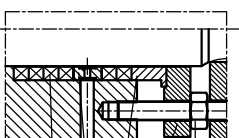
NOI DATE	04/25/19	DESCRIPTION	RELEASED	PRP'D	F.J.	REV'D	E.C.	AP'D	E.C.	DESIGNED	API 6D ANS B16.34	NACE MR 0175	CHK'D & APP'D BY:	E.C.	REV: 1	DWG NO.:	68F61DWCCGO
----------	----------	-------------	----------	-------	------	-------	------	------	------	----------	-------------------	--------------	-------------------	------	--------	----------	-------------

TITLE: CAST STEEL API 6D GATE VALVE  
 CLASS 600 - API 6D - GEARBOX OPERATED

MARKING SYSTEM	MSS-SP-25	INSPECTION & TEST	API 6D	MATERIAL:	ASTM A216 WCC	UNITS:	inch, mm
DIM OF FLANGE	ANSI B16.5	SHELL	HYDRO 2250PSI	CLASS:	600	SCALE:	N.T.S.
FACE TO FACE	API 6D	SEAT	AIR	80PSI	SIZE:	8"-12"	FIG. NO.:
WALL THICKNESS	API 6D	BACK SEAT	HYDRO 1650PSI	DRAWN BY:	F.J.		



ITEM	NAME	SPECIFICATION	NOTE
1	BODY	ASTM A216-WCC	
2	SEAT	ASTM A105+ENP+DEV/ON	
3	SLAB GATE	A515 GR 70+ENP	
4	SPRING	INCONEL X750	
5	BOLT	ASTM A193-B7M	
6	NUT	ASTM A194-2HM	
7	BONNET	ASTM A216-WCC	
8	STEM	ASTM A182-F316	
9	YOKE TUBE ASS'LY	AS1 1020	
10	GEAR	ASTM A216-WCB	
11	CONNECTING NUT	AS1 1020	
12	STEM PROTECT & INDICATION	PLASTIC	
13	BOLT	ASTM A193-B7M	
14	NUT	ASTM A194-2HM	
15	GASKET	316+GRAPHITE	
16	PACKING FITTING	ASTM A276-316	
17	VENT VALVE	ASTM A276-316	
18	INJECTION FITTING	ASTM A276-316	
19	PLUG	ASTM A276-316	
20	NUT	ASTM A194-2HM	
21	GLAND FLANGE	ASTM A216-WCC	
22	GLAND FOLLOWER	ASTM A276-316	
23	LANTERN RING	ASTM A276-316	
24	PACKING	INCONEL 600+GRAPHITE	
25	O RING	VITON A	



ITEM	FIG NO	SIZE	UNIT	Ød	Ød1	Ød2	ØD	b	n-ØE	L	H (shut)	H (open)	H1	Øw	S <sub>e</sub>	Weight(lbs/kgs)
01	68F61DWCCGO	14"	mm	334	412.8	527	605	69.9	20-Ø38	889	1440	1815	660	610	35.1	3472/1575
		14"	Inch	16.3	20.2	23.7	27.0	2.75	20-Ø1-1/2	35.0	56.7	71.5	26.0	24.0	1.38	
02	68F61DWCCGO	16"	mm	385	469.9	603.2	685	76.2	20-Ø41	991	1577	2000	748.5	610	38.1	4376/1985
		16"	Inch	15.19	18.5	23.8	27.0	3.0	20-Ø1-5/8	39.0	62.1	78.7	29.5	24.0	1.5	
03	68F61DWCCGO	18"	mm	436	533.4	654	745	82.6	20-Ø44	1092	1791	2283	834	710	41.4	5369/2435
		18"	Inch	17.19	21.0	25.7	29.3	3.25	20-Ø1-3/4	43.0	70.5	89.1	32.83	28.0	1.63	
04	68F61DWCCGO	20"	mm	487	584.2	723.9	815	88.9	24-Ø44	1194	1966	2491	912	710	45	7959/3610
		20"	Inch	19.19	23.0	28.5	32.0	3.5	24-Ø1-3/4	47.0	77.4	98.1	35.9	28.0	1.77	
05	68F61DWCCGO	24"	mm	589	692.2	838.2	940	101.6	24-Ø51	1397	2333	2946	1085.5	710	50.8	13106/5945
		24"	Inch	23.19	27.3	33.0	37.0	4.0	24-Ø2	55.0	91.6	116.0	42.74	28.0	2.0	

**WILLIAM E. WILLIAMS**  
VALVE CORPORATION  
39-59 REVIEW AVENUE  
LONG ISLAND CITY, NY 11101  
TEL: 718-992-1660  
FAX: 718-728-5105

NO	DATE	DESCRIPTION	PPRD	REV'D	APPD	DESIGNED	APR 6D ANS B16.34	INSPECTION & TEST	APR 6D	MATERIAL:	ASTM A216 WCC	UNITS:	Inch, mm
Δ	04/25/19	RELEASED	F.J.	E.C.	E.C.	WALL THICKNESS	API 600	HYDRO	2250PSI	CLASS:	600	SCALE:	N.T.S.
						FACE TO FACE	API 6D	AIR	80PSI	SIZE:	14"-24"	FIG. NO.:	68F61DWCCGO
						BACK SEAT	API 600	HYDRO	1650PSI	DRAWN BY:	F.J.	CHK'D & APP'D BY:	E.C.
						FACE TO FACE	API 6D	AIR	80PSI	DATE:	04/25/19	REV.:	1
						BACK SEAT	API 600	HYDRO	1650PSI			DWG NO.:	
						FACE TO FACE	API 6D	AIR	80PSI				
						BACK SEAT	API 600	HYDRO	1650PSI				