

| ITEM | NAME | MATERIAL | NOTE |
|------|---------------------------|------------------------|------|
| 1 | BODY | ASTM A216-WCC | |
| 2 | GATE | A515 GR70+ENP | |
| 3 | SEGMENT | A515 GR70+ENP | |
| 4 | SKIRT | ASTM A276-410 | |
| 5 | O RING | VITON A | |
| 6 | SEAT | ASTM A105N+ENP+DEVLOON | |
| 7 | GATE CENTRALIZER | ASTM A276-410 | |
| 8 | PIN | ASTM A276-410 | |
| 9 | STEM | ASTM A182-F316 | |
| 10 | GASKET | 316+GRAPHITE | |
| 11 | BONNET | ASTM A105N | |
| 12 | YOKE TUBE ASSLY | AISI 1020 | |
| 13 | BOLT | ASTM A193-B7 | |
| 14 | NUT | ASTM A194-2H | |
| 15 | BEARING BOX | AISI 1020 | |
| 16 | HANDWHEEL | ASTM A536 60-40-18 | |
| 17 | STEM PROTECT & INDICATION | PLASTIC | |
| 18 | STEM NUT | BRONZE | |
| 19 | NEEDLE BEARING | AISI 52100 | |
| 20 | BOLT | ASTM A193-B7 | |
| 21 | NUT | ASTM A194-2H | |
| 22 | BOLT | ASTM A193-B7 | |
| 23 | NUT | ASTM A194-2H | |
| 24 | NUT | ASTM A194-2H | |
| 25 | GLAND FLANGE | ASTM A216-WCC | |
| 26 | GLAND FOLLOWER | ASTM A276-316 | |
| 27 | LANTERN RING | ASTM A276-316 | |
| 28 | PACKING | INCONEL 600+GRAPHITE | |
| 29 | PACKING FITTING | ASTM A276-316 | |
| 30 | AUTOVENT VALVE | ASTM A276-316 | |
| 31 | VENT VALVE | ASTM A276-316 | |
| 32 | INJECTION FITTING | ASTM A276-316 | |
| 33 | PLUG | ASTM A276-316 | |

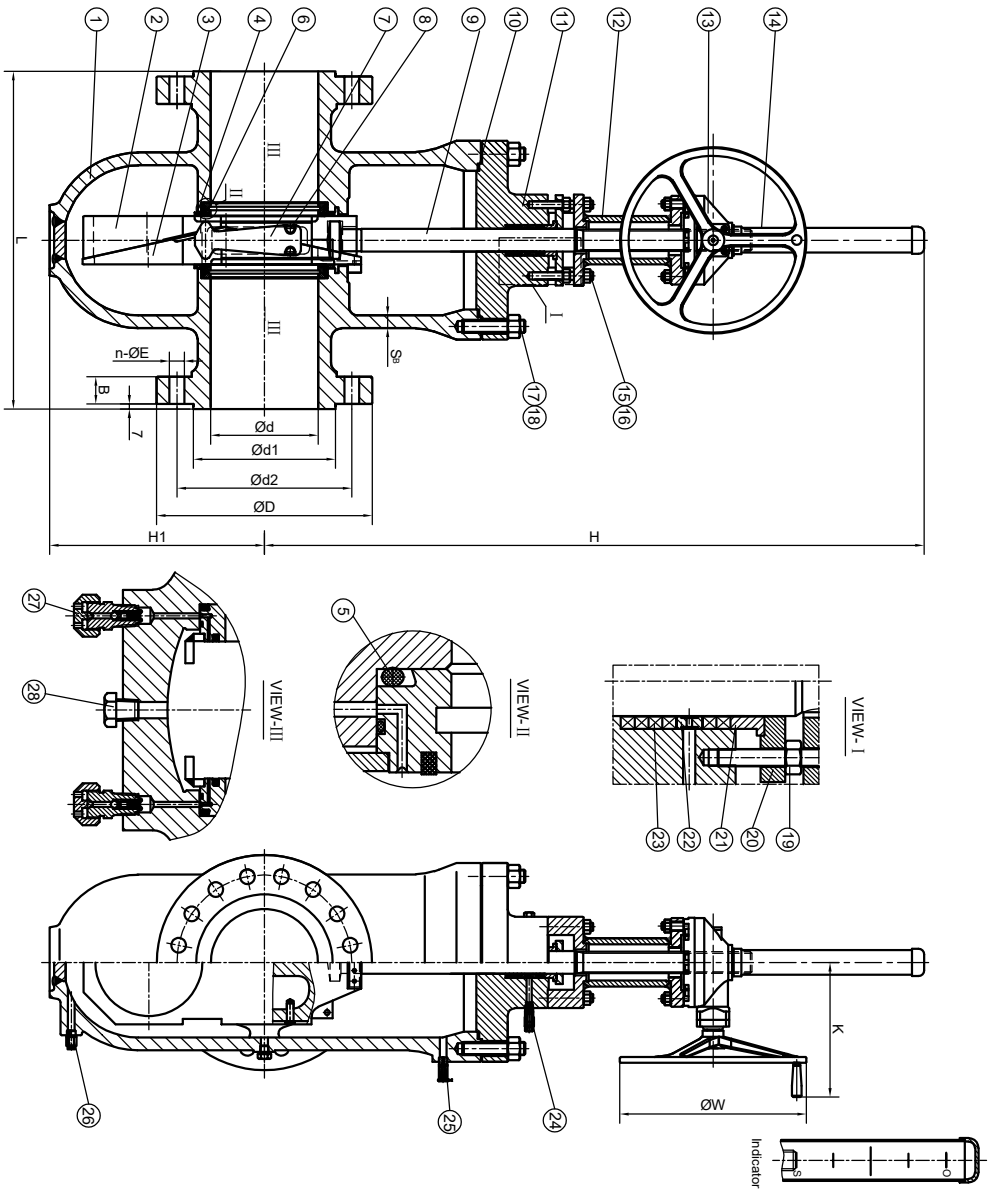
| ITEM | FIG. NO. | SIZE | UNIT | D | d1 | d2 | D | B | n | E | L | H | H1 | W | Sa | Weight(lbs/kgs) |
|------|------------|------|------|-----|-------|-------|-----|------|----|----|-----|------|-----|-----|------|-----------------|
| 1 | 69F61D WCC | 2" | mm | 49 | 92.1 | 127 | 165 | 25.4 | 8 | 19 | 292 | 451 | 122 | 250 | 12 | 146/66 |
| 2 | 69F61D WCC | 3" | mm | 74 | 127 | 168.3 | 210 | 31.8 | 8 | 22 | 356 | 706 | 190 | 250 | 13 | 243/110 |
| 3 | 69F61D WCC | 4" | mm | 100 | 157.2 | 215.9 | 275 | 38.1 | 8 | 25 | 432 | 850 | 256 | 350 | 16 | 344/156 |
| 4 | 69F61D WCC | 6" | mm | 150 | 215.9 | 292.1 | 355 | 47.7 | 12 | 29 | 559 | 1039 | 329 | 560 | 19.1 | 653/296 |

WILLIAM E. WILLIAMS
VALVE CORPORATION
38-52 REVERE AVENUE
LONG BEACH CITY, NY 11101
TEL: 718-393-1660
FAX: 718-793-5105

TITLE: CAST STEEL API 6D EXPANDING GATE VALVE
CLASS 600- API 6D - RF - HANDWHEEL OPERATED

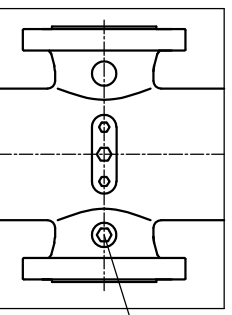
| NO. | DATE | DESCRIPTION | PRPD | REV'D | APP'D | MARKING SYSTEM | INSPECTION & TEST | MATERIAL | CLASS | DATE | UNITS | SCALE | FIG. NO. |
|-----|--------|-------------|------|-------|-------|-------------------------|-------------------------------------|---------------|-------|----------|----------|--------|------------|
| 1 | 4/4/19 | RELEASED | F.J. | E.C. | E.C. | MSS-SP-25 ANSI B16.5 | INSPECTION & TEST: API 598 SHELL | ASTM A216 WCC | 600 | 09/20/19 | Inch, mm | N.T.S. | 69F61D WCC |
| | | | | | | FACE TO FACE | HYDRO: 2225PSI | | | | | | |
| | | | | | | WALL THICKNESS | AIR | | | | | | |
| | | | | | | DESIGNED | 80PSI | | | | | | |
| | | | | | | API 6D | BACK SEAT | | | | | | |
| | | | | | | API 6D, ANSI B16.34 | HYDRO | 1650PSI | | | | | |
| | | | | | | | CHKD & APP'D BY: E.C. | | | | | | |
| | | | | | | | REV: 1 | | | | | | |
| | | | | | | | DWG NO.: | | | | | | |

Wm. E. Williams No.69F61D WCC GO Class 600 RF API 6D Expanding Gate Valve ASTM A216 WCC



| ITEM | NAME | MATERIAL | NOTE |
|------|-----------------------------------|------------------------|------|
| 1 | BODY | ASTM A216-WCC | |
| 2 | GATE | A515 GR70+ENP | |
| 3 | SEGMENT | AST15 GR70+ENP | |
| 4 | SKIRT | ASTM A276-410 | |
| 5 | O RING | VITON A | |
| 6 | SEAT | ASTM A105N+ENP+DEVLOON | |
| 7 | GATE CENTRALIZER | ASTM A276-410 | |
| 8 | PIN | ASTM A276-410 | |
| 9 | STEM | ASTM A182-F316 | |
| 10 | GASKET | 316+GRAPHITE | |
| 11 | BONNET | ASTM A105N | |
| 12 | YOKE TUBE ASSLY | AISI 1020 | |
| 13 | GEAR BOX | ASTM A216-WCB | |
| 14 | STEM PROTECT & INDICATION PLASTIC | | |
| 15 | BOLT | ASTM A193-B7 | |
| 16 | NUT | ASTM A194-2H | |
| 17 | BOLT | ASTM A193-B7 | |
| 18 | NUT | ASTM A194-2H | |
| 19 | NUT | ASTM A194-2H | |
| 20 | GLAND FLANGE | ASTM A216-WCC | |
| 21 | GLAND FOLLOWER | ASTM A276-316 | |
| 22 | LANTERN RING | ASTM A276-316 | |
| 23 | PACKING | INCONEL600+GRAPHITE | |
| 24 | PACKING FITTING | ASTM A276-316 | |
| 25 | AUTOVENT VALVE | ASTM A276-316 | |
| 26 | VENT VALVE | ASTM A276-316 | |
| 27 | INJECTION FITTING | ASTM A276-316 | |
| 28 | PLUG | ASTM A276-316 | |

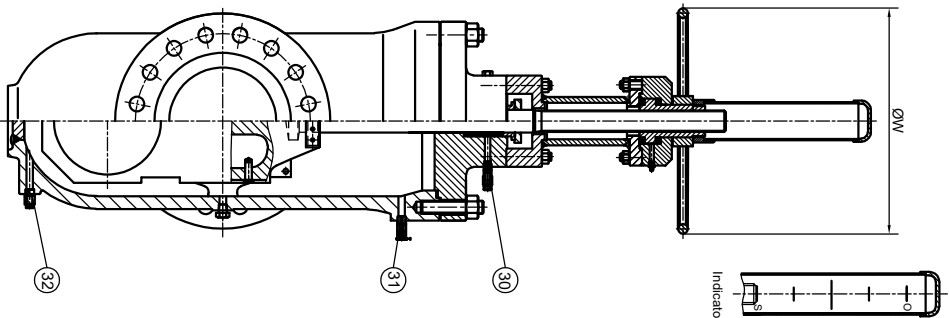
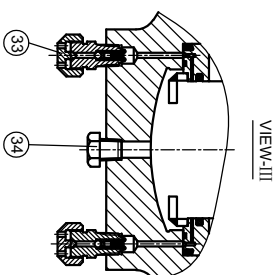
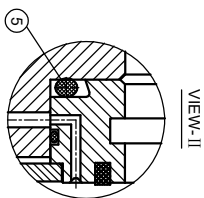
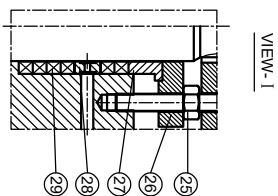
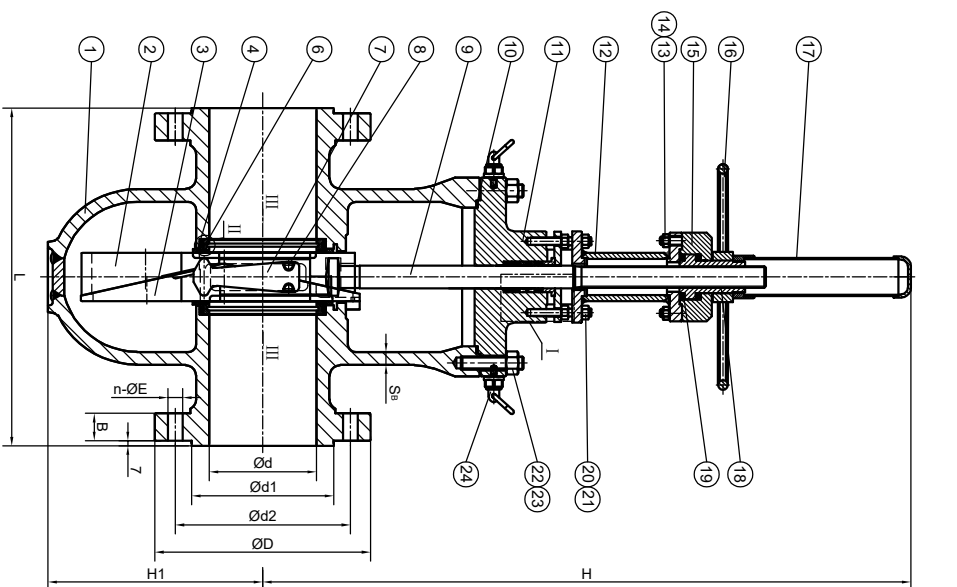
| ITEM | FIG. NO. | SIZE | UNIT | d | d1 | d2 | D | B | n | E | L | H | H1 | W | K | Sa | Weight(lbs/kgs) |
|------|---------------|------|------|------|-------|-------|-------|------|----|-------|------|-------|-------|------|------|------|-----------------|
| 1 | 69F61D WCC GO | 4" | mm | 100 | 157.2 | 215.9 | 275 | 38.1 | 8 | 25 | 432 | 850 | 256 | 310 | 310 | 16 | 344/156 |
| | | 4" | in | 3.94 | 6.19 | 8.5 | 10.75 | 1.5 | 8 | 1 | 17.0 | 33.46 | 10.08 | 12.2 | 12.2 | 0.63 | |
| 2 | 69F61D WCC GO | 6" | mm | 150 | 215.9 | 292.1 | 355 | 47.7 | 12 | 29 | 559 | 1039 | 329 | 310 | 310 | 19.1 | 739/335 |
| | | 6" | in | 5.94 | 8.5 | 11.5 | 14.0 | 1.88 | 12 | 1-1/8 | 22.0 | 40.91 | 12.95 | 12.2 | 12.2 | 0.75 | |



| NO. | DATE | RELEASED | DESCRIPTION | PRPD | REV'D | APP'D | MARKING SYSTEM | INSPECTION & TEST | API 6D | ANSI B16.34 | HYDRO | 80PSI | SIZE | FIG. NO. |
|-----|--------|----------|-------------|------|-------|-------|------------------|-------------------|--------|-------------|-----------|-------|-------|---------------|
| △ | 4/4/19 | RELEASED | | F.J. | E.C. | E.C. | MSS-SP-25 | API 598 | API 6D | API 6D | SEAT | AIR | 4"-6" | 69F61D WCC GO |
| | | | | | | | ANSI B16.5 | 2225PSI | API 6D | API 6D | BACK SEAT | HYDRO | | |
| | | | | | | | FACE TO FACE | | | | | | | |
| | | | | | | | WALL THICKNESS | | | | | | | |
| | | | | | | | DESIGNED | | | | | | | |
| | | | | | | | CHKD & APP'D BY: | | | | | | | |

WILLIAM E. WILLIAMS VALVE CORPORATION
 38-52 REVERE AVENUE
 LONG ISLAND CITY, NY 11101
 TEL: 718-392-1660
 FAX: 718-729-5105
 WWW.WILLIAMSVALVE.COM

TITLE: CAST STEEL API 6D EXPANDING GATE VALVE
 CLASS: 600 - API 6D - RF - GEAR OPERATED
 DATE: 09/20/19
 UNITS: Inch, mm
 SCALE: N.T.S.



| ITEM | NAME | MATERIAL | NOTE |
|------|---------------------------|------------------------|------|
| 1 | BODY | ASTM A216-WCC | |
| 2 | GATE | A515 GR70+ENP | |
| 3 | SEGMENT | AST15 GR70+ENP | |
| 4 | SKIRT | ASTM A276-410 | |
| 5 | O RING | VITON A | |
| 6 | SEAT | ASTM A105N+ENP+DEVLO N | |
| 7 | GATE CENTRALIZER | ASTM A276-410 | |
| 8 | PIN | ASTM A276-410 | |
| 9 | STEM | ASTM A182-F316 | |
| 10 | GASKET | 316+GRAPHITE | |
| 11 | BONNET | ASTM A105N | |
| 12 | YOKE TUBE ASSLY | AISI 1020 | |
| 13 | BOLT | ASTM A193-B7 | |
| 14 | NUT | ASTM A194-2H | |
| 15 | BEARING BOX | AISI 1020 | |
| 16 | HANDWHEEL | ASTM A536 60-40-18 | |
| 17 | STEM PROTECT & INDICATION | PLASTIC | |
| 18 | STEM NUT | BRONZE | |
| 19 | THRUST BALL BEARING | AISI 52100 | |
| 20 | BOLT | ASTM A193-B7 | |
| 21 | NUT | ASTM A194-2H | |
| 22 | BOLT | ASTM A193-B7 | |
| 23 | NUT | ASTM A194-2H | |
| 24 | LIFT | AISI 4140 | |
| 25 | NUT | ASTM A194-2H | |
| 26 | GLAND FLANGE | ASTM A216-WCC | |
| 27 | GLAND FOLLWER | ASTM A276-316 | |
| 28 | LANTERN RING | ASTM A276-316 | |
| 29 | PACKING | INCONEL600+GRAPHITE | |
| 30 | PACKING FITTING | ASTM A276-316 | |
| 31 | AUTOVENT VALVE | ASTM A276-316 | |
| 32 | VENT VALVE | ASTM A276-316 | |
| 33 | INJECTION FITTING | ASTM A276-316 | |
| 34 | PLUG | ASTM A276-316 | |

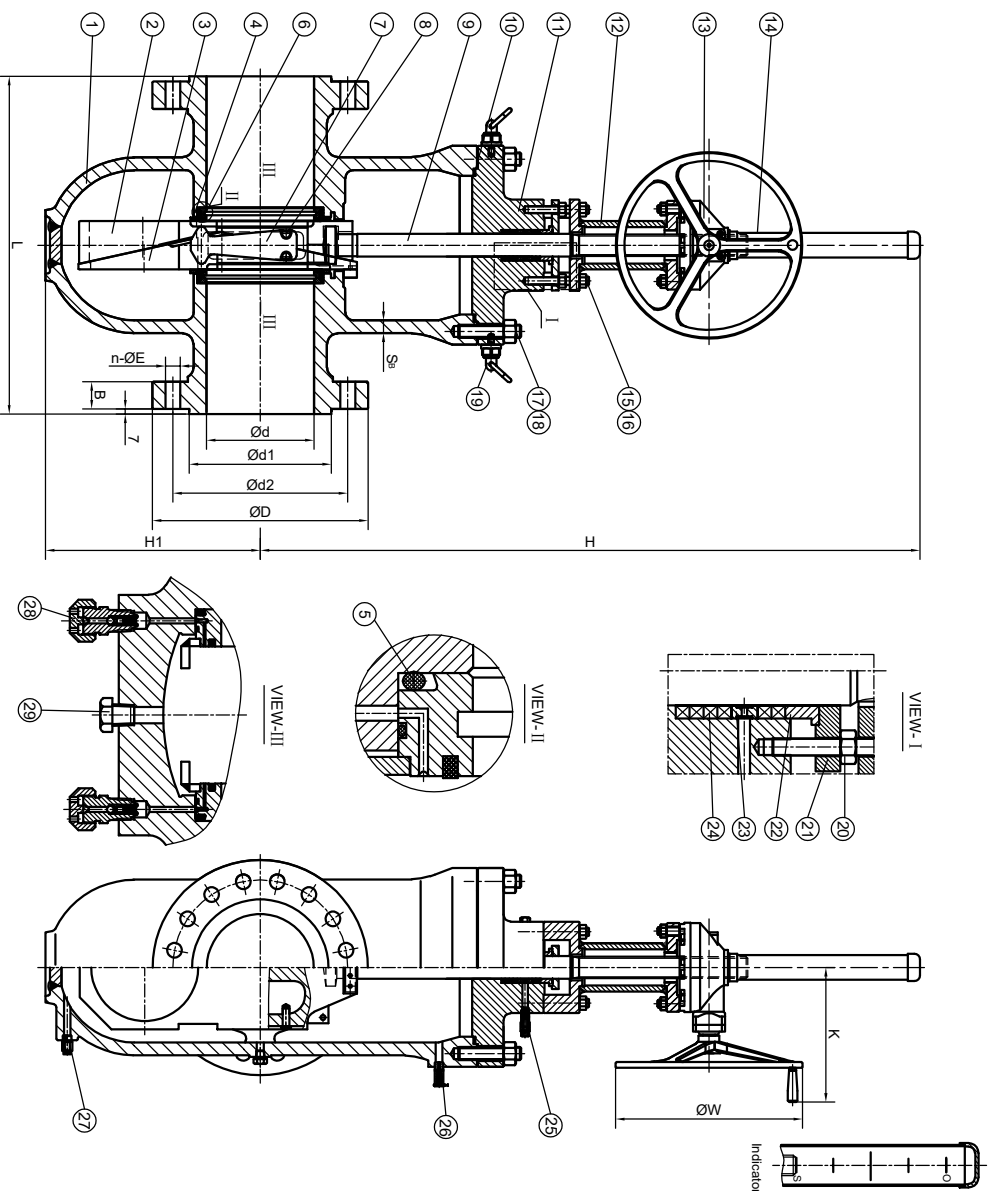
| ITEM | FIG NO. | SIZE | UNIT | d | d1 | d2 | D | B | n | E | L | H | H1 | W | Sa | Weight(lbs/kgs) |
|------|------------|------|------|-----|-------|-------|-----|------|----|----|-----|------|-------|-----|------|-----------------|
| 1 | 69F61D WCC | 8" | mm | 203 | 269.9 | 349.2 | 420 | 55.6 | 12 | 32 | 660 | 1293 | 419.5 | 640 | 25.4 | 1411/640 |
| 2 | 69F61D WCC | 10" | mm | 254 | 323.8 | 431.8 | 510 | 63.5 | 16 | 35 | 787 | 1514 | 508 | 720 | 28.7 | 1984/900 |
| 3 | 69F61D WCC | 12" | mm | 305 | 381 | 489 | 560 | 66.7 | 20 | 35 | 838 | 1779 | 590 | 720 | 31.8 | 2502/1135 |

| NO. | DATE | RELEASED | DESCRIPTION | PRPD | REV'D | APP'D | MARKING SYSTEM | MSS-SP-25 | INSPECTION & TEST | API 598 |
|-----|--------|----------|-------------|------|-------|-------|----------------|---------------------|-------------------|---------------|
| Δ | 4/4/19 | RELEASED | | F.J. | E.C. | E.C. | FACE TO FACE | ANSI B16.5 | SHELL | HYDRO 2228PSI |
| | | | | | | | WALL THICKNESS | API 6D | SEAT | AIR 80PSI |
| | | | | | | | DESIGNED | API 6D | BACK SEAT | HYDRO 1650PSI |
| | | | | | | | | API 6D, ANSI B16.34 | | |

WILLIAM E. WILLIAMS VALVE CORPORATION
 38-52 REVERE AVENUE
 LONG ISLAND CITY, NY 11101
 TEL: 718-393-1660
 FAX: 718-793-5155
 WWW.WILLIAMSVALVE.COM

TITLE: CAST STEEL API 6D EXPANDING GATE VALVE
 CLASS 600- API 6D - RF - HANDWHEEL OPERATED
 MATERIAL: ASTM A216 WCC
 CLASS: 600
 DATE: 09/20/19
 UNITS: Inch, mm
 SCALE: N.T.S.
 DRAWN BY: F.J.
 FIG. No.: 69F61D WCC
 CHK'D & APP'D BY: E.C.
 REV: 1
 DWG No.:

Wm. E. Williams No.69F61D WCC GO Class 600 RF API 6D Expanding Gate Valve ASTM A216 WCC



| ITEM | NAME | MATERIAL | NOTE |
|------|-----------------------------------|------------------------|------|
| 1 | BODY | ASTM A216-WCC | |
| 2 | GATE | A515 GR70+ENP | |
| 3 | SEGMENT | A515 GR70+ENP | |
| 4 | SKIRT | ASTM A276-410 | |
| 5 | O RING | VITON A | |
| 6 | SEAT | ASTM A105N+ENP+DEVLOON | |
| 7 | GATE CENTRALIZER | ASTM A276-410 | |
| 8 | PIN | ASTM A276-410 | |
| 9 | STEM | ASTM A182-F316 | |
| 10 | GASKET | 316+GRAPHITE | |
| 11 | BONNET | ASTM A105N | |
| 12 | YOKE TUBE ASSLY | ASTM A1020 | |
| 13 | GEAR BOX | ASTM A216-WCB | |
| 14 | STEM PROTECT & INDICATION PLASTIC | | |
| 15 | BOLT | ASTM A193-B7 | |
| 16 | NUT | ASTM A194-2H | |
| 17 | BOLT | ASTM A193-B7 | |
| 18 | NUT | ASTM A194-2H | |
| 19 | LIFT | ASTM A194-2H | |
| 20 | NUT | ASTM A194-2H | |
| 21 | GLAND FLANGE | ASTM A216-WCC | |
| 22 | GLAND FOLLOWER | ASTM A276-316 | |
| 23 | LANTERN RING | ASTM A276-316 | |
| 24 | PACKING | INCONEL600+GRAPHITE | |
| 25 | PACKING FITTING | ASTM A276-316 | |
| 26 | AUTOVENT VALVE | ASTM A276-316 | |
| 27 | VENT VALVE | ASTM A276-316 | |
| 28 | INJECTION FITTING | ASTM A276-316 | |
| 29 | PLUG | ASTM A276-316 | |

| ITEM | FIG. NO. | SIZE | UNIT | d | d1 | d2 | D | B | n | E | L | H | H1 | W | K | Sa | Weight(lbs/kgs) |
|------|---------------|------|------|------|-------|-------|------|------|----|-------|------|-------|-------|-------|-------|------|-----------------|
| 1 | 69F61D WCC GO | 8" | mm | 203 | 269.9 | 349.2 | 420 | 55.6 | 12 | 32 | 660 | 1293 | 419.5 | 460 | 345 | 25.4 | 1473/668 |
| 2 | 69F61D WCC GO | 10" | mm | 254 | 323.8 | 431.8 | 510 | 63.5 | 16 | 35 | 787 | 1514 | 508 | 610 | 420 | 28.7 | 2046/928 |
| 3 | 69F61D WCC GO | 12" | mm | 305 | 381 | 489 | 560 | 66.7 | 20 | 35 | 838 | 1765 | 590 | 610 | 505 | 31.8 | 2756/1250 |
| | | 12" | in | 12.0 | 15.0 | 19.25 | 22.0 | 2.62 | 20 | 1-3/8 | 33.0 | 69.49 | 23.23 | 24.02 | 19.88 | 1.25 | |

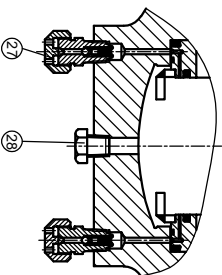
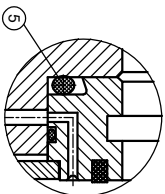
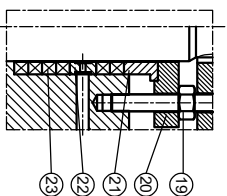
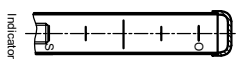
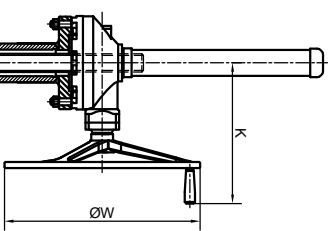
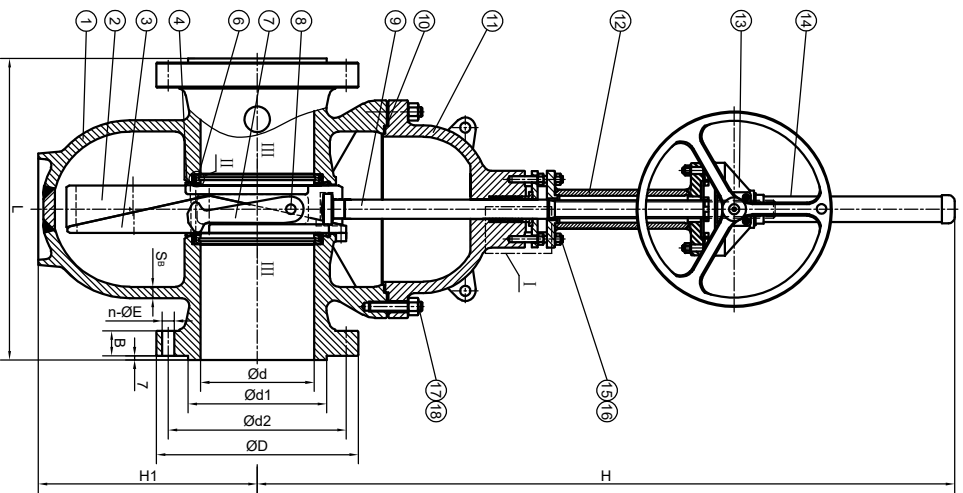
| NO. | DATE | RELEASED | DESCRIPTION | PRPD | REV'D | APPD. | MARKING SYSTEM | MSS-SP-25 | INSPECTION & TEST | API 598 |
|-----|--------|----------|-------------|------|-------|-------|----------------|------------|-------------------|---------------|
| 1 | 4/4/19 | RELEASED | F.J. | E.C. | E.C. | | FACE TO FACE | API 6D | SEAT | 80PSI |
| | | | | | | | WALL THICKNESS | API 6D | BACK SEAT | HYDRO 1650PSI |
| | | | | | | | DM OF FLANGE | ANSI B16.5 | SHELL | HYDRO 2225PSI |

WILLIAM E. WILLIAMS
 VALVE CORPORATION
 38-52 REVERLY AVENUE
 LONG ISLAND CITY, NY 11101
 TEL: 718-393-1660
 FAX: 718-793-5105
 WWW.WILLIAMSVALVE.COM

TITLE: CAST STEEL API 6D EXPANDING GATE VALVE
 CLASS: 600 - RF - GEAR OPERATED

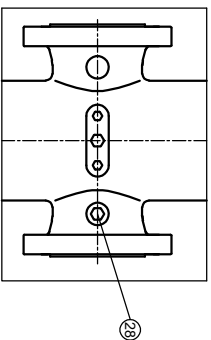
| CLASS | DATE | UNITS | SCALE | FIG. NO. |
|-------|----------|----------|--------|---------------|
| 600 | 09/20/19 | Inch, mm | N.T.S. | 69F61D WCC GO |

DRAWN BY: F.J.
 CHKD & APPR'D BY: E.C.
 REV: 1
 DWG NO.:



| ITEM | NAME | MATERIAL | NOTE |
|------|-----------------------------------|------------------------|------|
| 1 | BODY | ASTM A216-WCC | |
| 2 | GATE | A515 GR70+ENP | |
| 3 | SEGMENT | A515 GR70+ENP | |
| 4 | SKIRT | ASTM A276-410 | |
| 5 | O RING | VITON A | |
| 6 | SEAT | ASTM A105N+ENP+DEVILON | |
| 7 | GATE CENTRALIZER | ASTM A276-410 | |
| 8 | PIN | ASTM A276-410 | |
| 9 | STEM | ASTM A182-F316 | |
| 10 | GASKET | 316+GRAPHITE | |
| 11 | BONNET | ASTM A216-WCC | |
| 12 | YOKE TUBE ASSLY | AISI 1020 | |
| 13 | GEAR BOX | ASTM A216-WCB | |
| 14 | STEM PROTECT & INDICATION PLASTIC | | |
| 15 | BOLT | ASTM A193-B7 | |
| 16 | NUT | ASTM A194-2H | |
| 17 | BOLT | ASTM A193-B7 | |
| 18 | NUT | ASTM A194-2H | |
| 19 | NUT | ASTM A194-2H | |
| 20 | GLAND FLANGE | ASTM A216-WCC | |
| 21 | GLAND FOLLOWER | ASTM A276-316 | |
| 22 | LANTERN RING | ASTM A276-316 | |
| 23 | PACKING | INCONEL600+GRAPHITE | |
| 24 | PACKING FITTING | ASTM A276-316 | |
| 25 | AUTOVENT VALVE | ASTM A276-316 | |
| 26 | VENT VALVE | ASTM A276-316 | |
| 27 | INJECTION FITTING | ASTM A276-316 | |
| 28 | PLUG | ASTM A276-316 | |

| ITEM | FIG NO. | SIZE | UNIT | d | d1 | d2 | D | B | n | E | L | H | H1 | W | K | Sb | Weight(lbs/kg) |
|------|---------------|------|------|-------|-------|-------|------|-------|----|----|------|--------|-------|------|-------|------|----------------|
| 1 | 69F61D WCC GO | 14" | mm | 334 | 412.8 | 527 | 605 | 69.9 | 20 | 38 | 889 | 1772 | 659 | 610 | 420 | 35.1 | 3748/1700 |
| 2 | 69F61D WCC GO | 16" | mm | 385 | 469.9 | 603.2 | 685 | 76.2 | 20 | 41 | 991 | 2125 | 742 | 710 | 580 | 38.1 | 5181/2350 |
| 3 | 69F61D WCC GO | 18" | mm | 437 | 533.4 | 654 | 745 | 82.6 | 20 | 45 | 1092 | 2197 | 834 | 710 | 580 | 41.4 | 6120/2776 |
| 4 | 69F61D WCC GO | 20" | mm | 487 | 584.2 | 723.9 | 815 | 88.9 | 24 | 45 | 1194 | 2535 | 934.5 | 800 | 610 | 44.5 | 8483/3848 |
| 5 | 69F61D WCC GO | 24" | mm | 589 | 692.2 | 838.2 | 940 | 101.6 | 24 | 51 | 1397 | 3132 | 1111 | 800 | 610 | 50.8 | 10869/4930 |
| | | 24" | in | 23.19 | 27.25 | 33.0 | 37.0 | 4.0 | 24 | 2 | 55.0 | 123.31 | 43.74 | 31.5 | 24.02 | 2.0 | |



| NO. | DATE | DESCRIPTION | PRPD | REV'D | APP'D | MARKING SYSTEM | INSPECTION & TEST | MATERIAL | UNITS |
|-----|--------|-------------|------|-------|-------|---------------------|-----------------------|----------------|---------------|
| Δ | 4/4/19 | RELEASED | F.J. | E.C. | E.C. | ANSI B16.5 | HYDRO 2228PSI | ASTM A216 WCC | Inch, mm |
| | | | | | | API 6D | AIR 80PSI | CLASS: 600 | SCALE: N.T.S. |
| | | | | | | FACE TO FACE | HYDRO 1650PSI | DATE: 09/20/19 | |
| | | | | | | WALL THICKNESS | 80PSI | | |
| | | | | | | DESIGNED | BACK SEAT | | |
| | | | | | | API 6D, ANSI B16.34 | HYDRO | | |
| | | | | | | | 1650PSI | | |
| | | | | | | | CHKD & APP'D BY: E.C. | | |
| | | | | | | | REV: 1 | | |
| | | | | | | | DWG NO.: | | |
| | | | | | | | 69F61D WCC GO | | |

WILLIAM E. WILLIAMS VALVE CORPORATION
 3852 REVERE AVENUE
 LONG ISLAND CITY, NY 11101
 TEL: 718-393-1660
 FAX: 718-793-5105
 WWW.WILLIAMSVALVE.COM

TITLE: CAST STEEL API 6D EXPANDING GATE VALVE
 CLASS 600- API 6D - RF -GEAR OPERATED