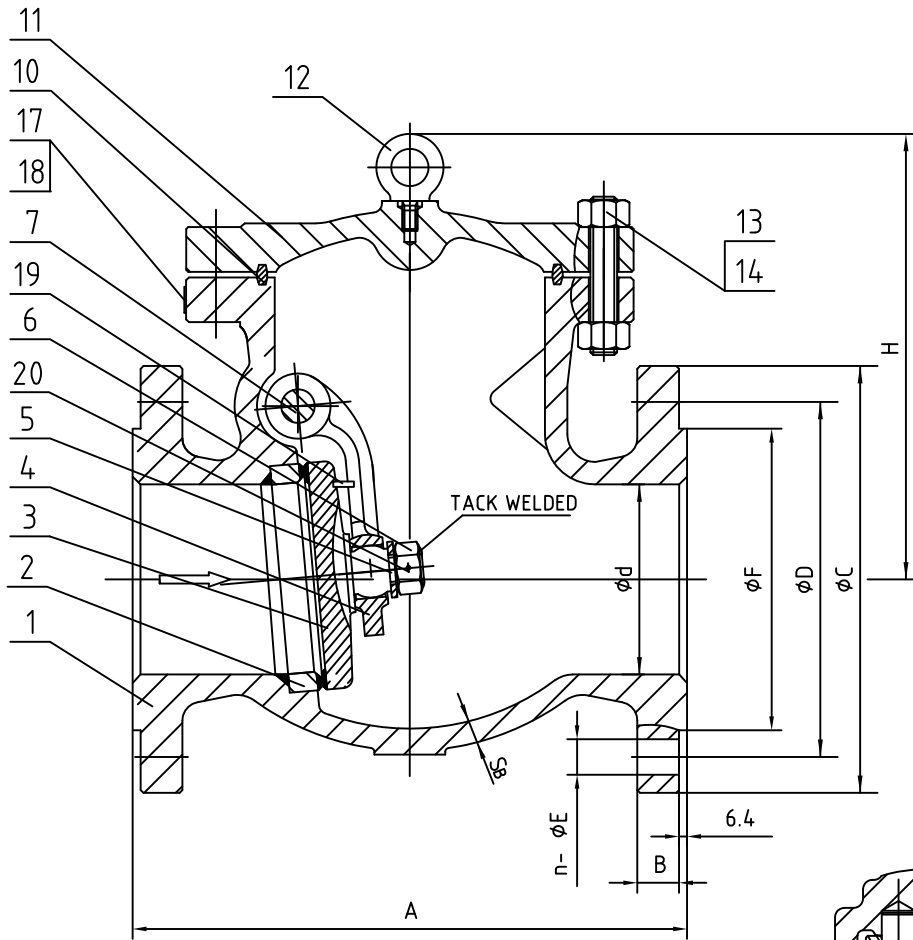


# Wm. E. Williams No. 901F62N Class 900 RF Swing Check Valve ASTM A 216 WCB (API Trim 12) NACE



ITEM	NAME	MATERIAL	SPECIFICATION	NOTE
1	BODY	CAST STEEL	ASTM A216-WCB	NACE
2	BODY RING	CARBON STEEL	ASTM A105+HF	
3	DISC	CARBON STEEL	ASTM A105+316	
4	HINGE	CAST STEEL	ASTM A216-WCB	
5	GASKET	STAINLESS STEEL	ASTM A276-316	
6	NUT	STAINLESS STEEL	ASTM A276-316	
7	PIN	STAINLESS STEEL	ASTM A276-316	
10	GASKET, RING JOINT	STEEL	SS316	
11	BONNET	CAST STEEL	ASTM A216-WCB	
12	EYEBOLT	CARBON STEEL	ASTM A29-1035	
13	NUT	STEEL	ASTM A194-2HM	
14	BOLT	STEEL	ASTM A193-B7M	
15	GASKET	STAINLESS STEEL	ASTM A276-304	
16	PLUG	STAINLESS STEEL	ASTM A276-410	
17	NAMEPLATE	STAINLESS STEEL	304SS	
18	RIVET	STAINLESS STEEL	304SS	
19	PIN	CARBON STEEL	ASTM A29-1020	
20	PIN	STAINLESS STEEL	316SS	

SIZE	d	A	B	C	D	n	E	F	H	S <sub>b</sub>
2-1/2"	57	419.1	41.5	24.4	190.5	8	29	105	293	22.2
3"	73	381	38.5	24.1	190.5	8	26	127	254	19.1
4"	98	457	44.5	29.2	234.9	8	32	157	276	21.4
6"	146	610	56	38.1	317.5	12	32	216	375	26.2
8"	190	737	63.5	47.0	393.7	12	39	270	505	32
10"	238	838	70	54.5	469.9	16	39	324	500	36.6
12"	282	965	79.5	61.0	533.4	20	39	381	566	42.2

WILLIAM E. WILLIAMS VALVE CORPORATION  
 38-52 REVIEW AVENUE LONG ISLAND CITY, NY 11101  
 TEL: 718-392-1660 FAX: 718-729-5166  
 WWW.WILLIAMSVALVE.COM

TITLE: CAST STEEL SWING CHECK VALVE CLASS 900 - API TRIM 12 - BOLTED COVER

						MARKING SYSTEM	MSS-SP-25	INSPECTION & TEST: API 598	MATERIAL: ASTM A216 GR.WCB	UNITS: Inch, mm	
						DIM.OF FLANGE	ANSI B16.5	SHELL HYDRO 3350PSI	CLASS: 900	DATE: 04/06/15	SCALE: N.T.S.
						FACE TO FACE	ANSI B16.10	SEAT AIR N/A	SIZE: 2.5" - 12"	FIG. No.:	901F-62N
						WALL THICKNESS	ANSI B16.34	HPC SEAT HYDRO 2450PSI	DRAWN BY: F.J.		
NO.	DATE	DESCRIPTION	PRP'D	REV'D	APP'D	DESIGNED	API 594, ANSI B16.34	NACE MR 0175	CHK'D & APR'D BY: R.P.	REV: 1	DWG No.: 60SC120082-28

4/6/15

RELEASED

F.J.

R.P.

R.P.

R.P.

DESIGNED

API 594, ANSI B16.34

NACE MR 0175

CHK'D & APR'D BY: R.P.

REV: 1

DWG No.: 60SC120082-28