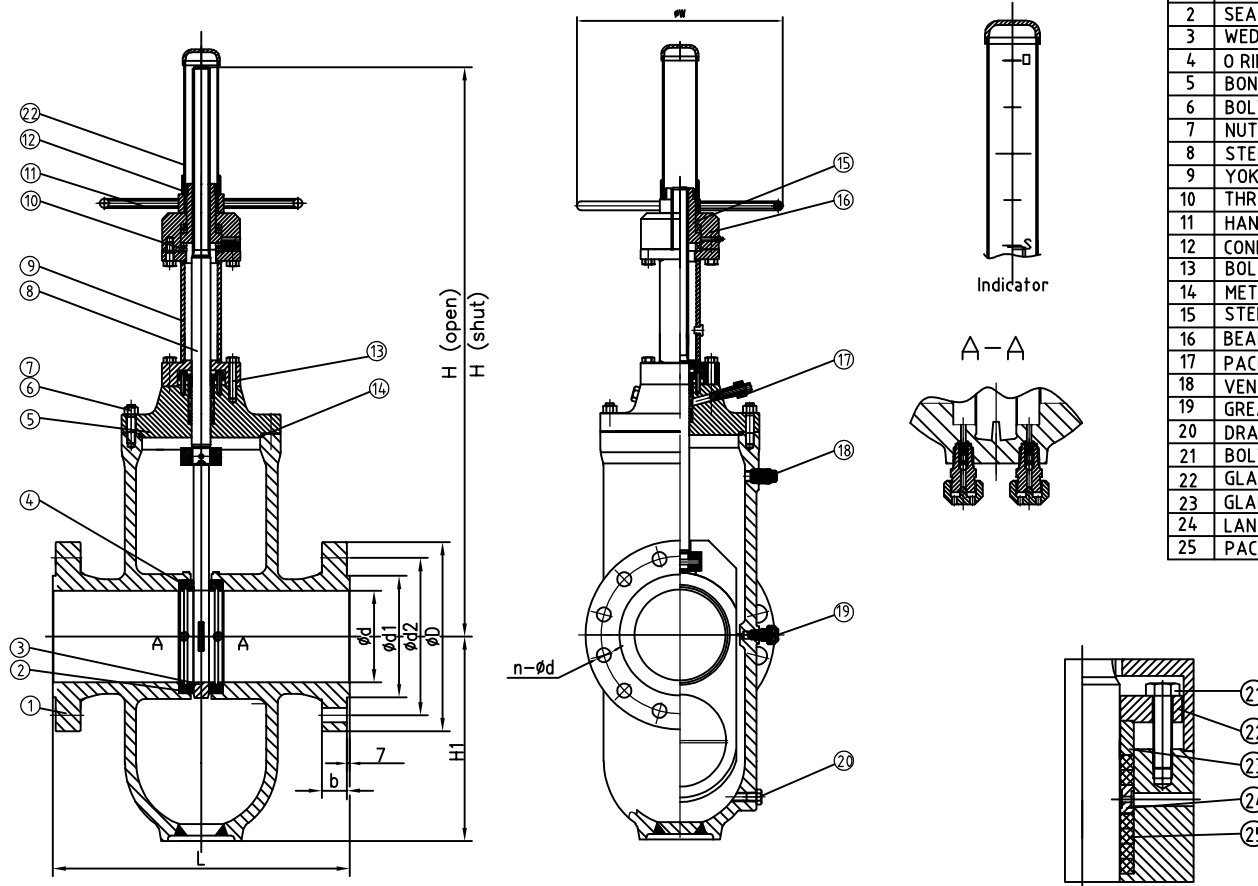


Wm. E. Williams No. 98F-61D Class 900 RF Slab Gate Valve ASTM A216 WCC NACE



ITEM	NAME	SPECIFICATION	NOTE
1	VALVE BODY	A216-WCC	NACE
2	SEAT	A105+ENP+DEVLON	
3	WEDGE DISC	A515. GR.70 +ENP	
4	O RING	VITON	
5	BONNET	A105	
6	BOLT	A193-B7M	
7	NUT	A194-2HM	
8	STEM	A182-F316	
9	YOKE TUBE ASSLY	A1020	
10	THRUST WASHER	Bearing steel	
11	HAND WHEEL ASSY	Ductile Iron	
12	CONNECTING NUT	A1020	
13	BOLTS	A193-B7M	
14	METAL GASKET	SS304	
15	STEM NUT	ZCuAL-9	
16	BEARING BOX	A1020	
17	PACKING FITTING	SS316	
18	VENT VALVE	SS316	
19	GREASE FITTING	SS316	
20	DRAIN PLUG	SS316	
21	BOLTS	A193-B7M	
22	GLAND FLANGE	ASTM A105N	
23	GLAND FOLLOWER	SS410	
24	LANTERN RING	SS316	
25	PACKING RING	BRAIDED GRAPHITE	

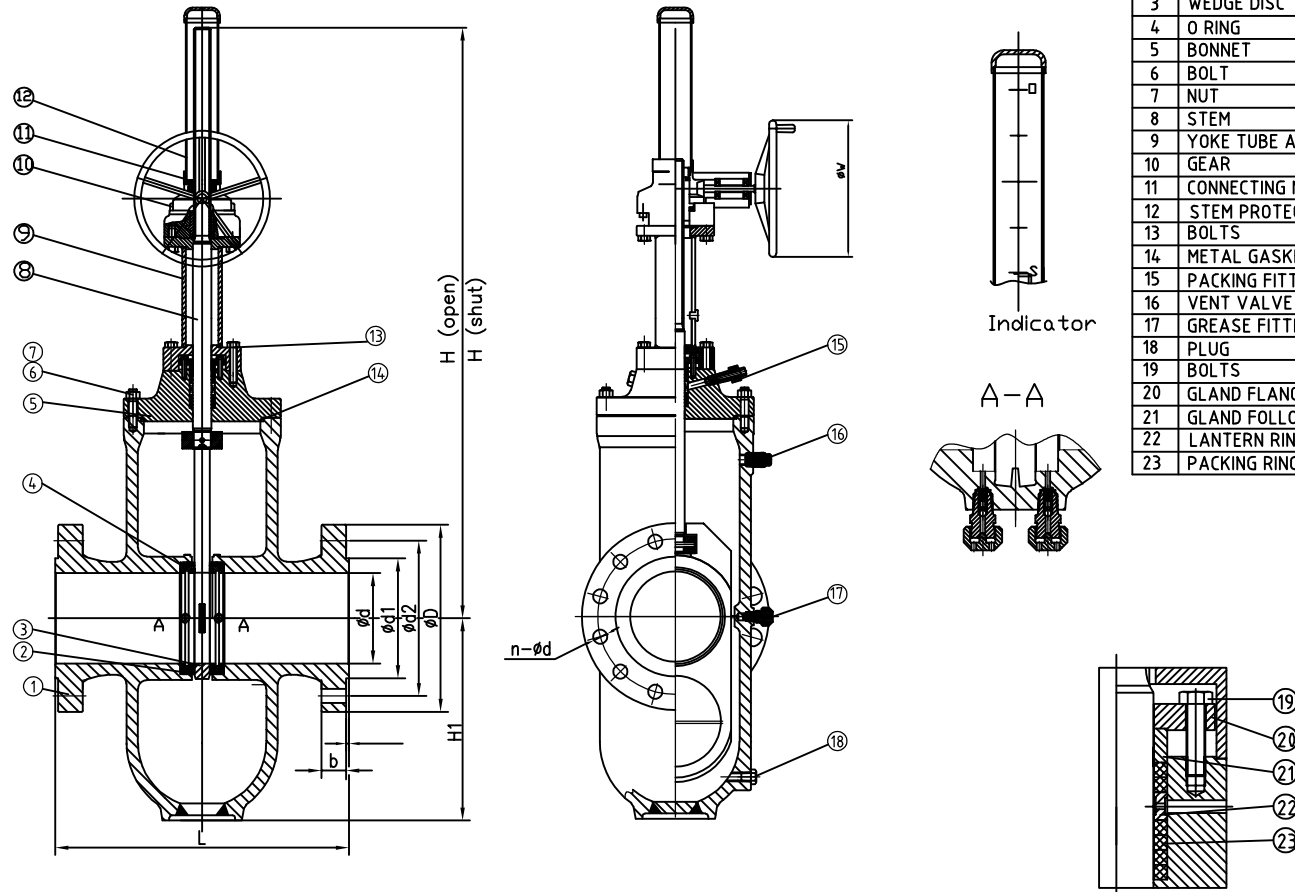
UNIT	SIZE	ϕd	$\phi d1$	$\phi d2$	ϕD	b	$n-\phi d$	L	H (shut)	H (open)	$H1$	ϕW
mm	4"	100	157.2	235	292	44.5	8- $\phi 32$	457	675	787	248	500
Inch	4"	3.9	6.2	9.3	11.5	1.75	8- $\phi 1.26$	18.0	26.6	7.4	9.8	19.7
mm	6"	150	215.9	317.5	381	55.6	12- $\phi 32$	610	872	1055	337	500
Inch	6"	5.9	8.5	12.5	15.0	2.2	12- $\phi 1.26$	24.0	34.3	41.5	13.3	19.7

WILLIAM E. WILLIAMS VALVE CORPORATION
 38-52 REVIEW AVENUE
 LONG ISLAND CITY, NY 11101
 TEL: 718-392-1660
 FAX: 718-729-5106

TITLE: CAST STEEL API-6D THRU CONDUIT SLAB GATE VALVE
 CLASS 900 - ENP TRIM WITH DEVLON SEATS

△	6/29/17	RELEASED	AL	R.P.	R.P.	MARKING SYSTEM	MSS-SP-25	INSPECTION & TEST:	API 6D	MATERIAL:	A216 WCC	UNITS:	Inch, mm					
	6/29/16	RELEASED	F.J.	R.P.	R.P.	DIM.OF FLANGE	ASME B16.5	SHELL	HYDRO	3350PSI	CLASS:	900	DATE:	08/04/15	SCALE:	N.T.S.		
△	8/4/15	RELEASED	F.J.	R.P.	R.P.	FACE TO FACE	API 6D	SEAT	AIR	80PSI	SIZE:	4" - 6"	FIG. No.:	98F-61D				
NO.	DATE	DESCRIPTION	PRP'D	REV'D	APP'D	DESIGNED	API 6D	BACK SEAT	HYDRO	2450PSI	DRAWN BY:	F.J.	CHK'D & APR'D BY:	R.P.	REV:	3	DWG No.:	60SG120454-46-28

Wm. E. Williams No. 98F-61D GO Class 900 RF Slab Gate Valve ASTM A216 WCC



ITEM	NAME	SPECIFICATION	NOTE
1	VALVE BODY	A216-WCC	NACE
2	SEAT	A105+ENP+DEVLON	
3	WEDGE DISC	A515. GR.70+ENP	
4	O RING	VITON	
5	BONNET	A105	
6	BOLT	A193-B7M	
7	NUT	A194-2HM	
8	STEM	A182-F316	
9	YOKE TUBE ASSLY	A1020	
10	GEAR		
11	CONNECTING NUT	A1020	
12	STEM PROTECT & INDICATION	Plastic	
13	BOLTS	A193-B7M	
14	METAL GASKET	SS304	
15	PACKING FITTING	SS304	
16	VENT VALVE	SS304	
17	GREASE FITTING	SS304	
18	PLUG	SS304	
19	BOLTS	A193-B7M	
20	GLAND FLANGE	ASTM A105N	
21	GLAND FOLLOWER	SS316	
22	LANTERN RING	SS316	
23	PACKING RING	BRAIDED GRAPHITE	

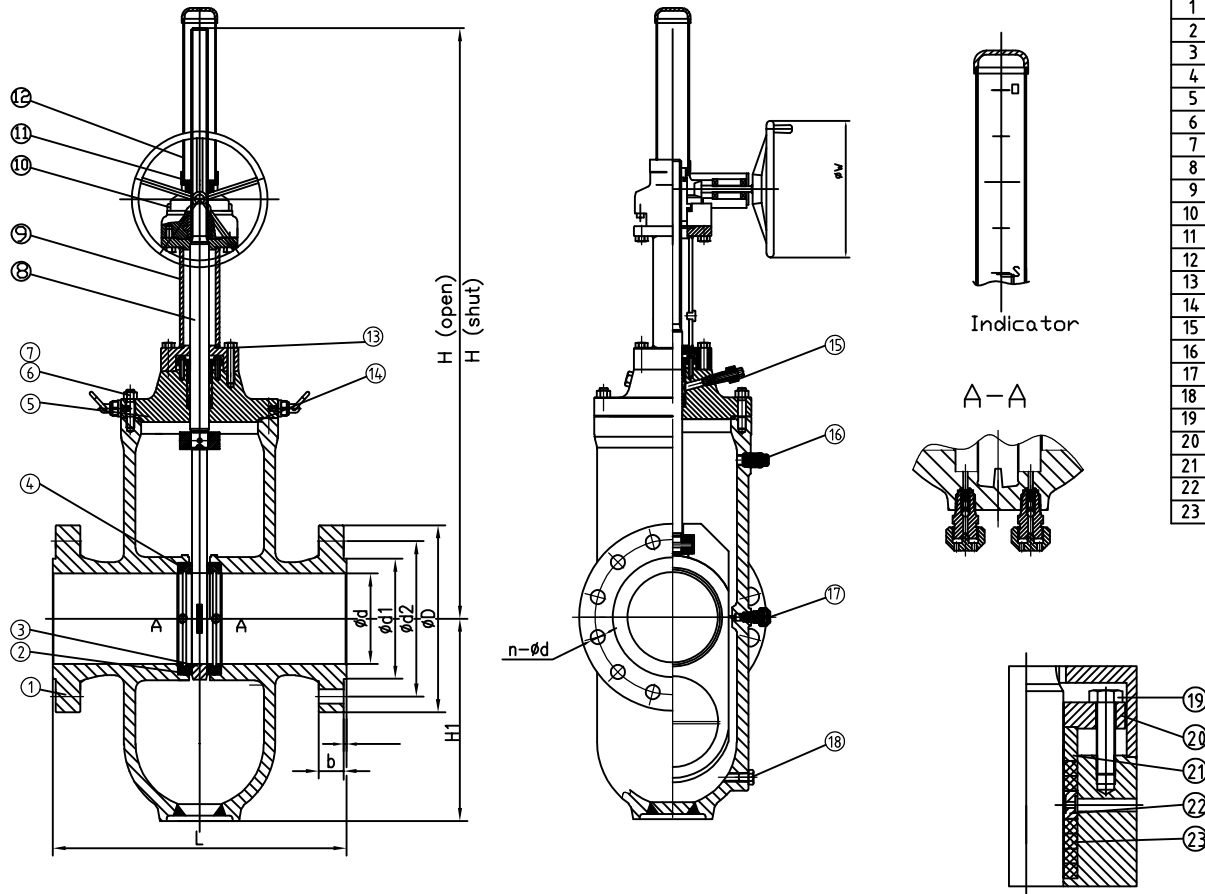
UNIT	SIZE	phi d	phi d1	phi d2	phi D	b	n-phi d	L	H (shut)	H (open)	H1	phi W
mm	4"	100	157.2	235	292	44.5	8-phi 32	457	675	787	24.8	310
Inch	4"	3.9	6.2	9.3	11.5	1.75	8-phi 1.26	18.0	26.6	31.0	9.8	12.2
mm	6"	150	215.9	317.5	381	55.6	12-phi 32	610	872	1055	337	310
Inch	6"	5.9	8.5	12.5	15.0	2.19	12-phi 1.26	24.0	34.3	41.5	13.3	12.2

WILLIAM E. WILLIAMS VALVE CORPORATION
 WWW.WILLIAMSVALVE.COM
 39-58 REVIEW AVENUE
 LONG ISLAND CITY, NY 11101
 TEL: 718-998-1660
 FAX: 718-729-5106

TITLE: CAST STEEL API-6D THRU CONDUIT SLAB GATE VALVE
 CLASS 900 - ENP TRIM WITH DEVLON SEATS - GEAR OPERATED

6/29/17	RELEASED	A.L.	R.P.	R.P.	MARKING SYSTEM	MSS-SP-25	INSPECTION & TEST: API 6D	MATERIAL: A216 WCC	UNITS: Inch, mm	
6/29/16	RELEASED	F.J.	R.P.	R.P.	DIM.OF FLANGE	ANSI B16.5	SHELL HYDRO 3350PSI	CLASS: 900	DATE: 12/11/15	SCALE: N.T.S.
12/11/15	RELEASED	F.J.	R.P.	R.P.	FACE TO FACE	API 6D	SEAT AIR 80PSI	SIZE: 4" - 6"	FIG. No.:	98F-61D GO
NO.	DATE	DESCRIPTION	PRP'D	REV'D	APP'D	DESIGNED	API 6D	BACK SEAT HYDRO 2450PSI	DRAWN BY: F.J.	
								CHK'D & APR'D BY: R.P.	REV: 3	DWG No.: 60SG120477-46-28

Wm. E. Williams No. 98F-61D GO Class 900 RF Slab Gate Valve ASTM A216 WCC



ITEM	NAME	SPECIFICATION	NOTE
1	VALVE BODY	A216-WCC	NACE
2	SEAT	A105+ENP+DEVLON	
3	WEDGE DISC	A515. GR.70+ENP	
4	O RING	VITON	
5	BONNET	A105	
6	BOLT	A193-B7M	
7	NUT	A194-2HM	
8	STEM	A182-F316	
9	YOKE TUBE ASSLY	A1020	
10	GEAR		
11	CONNECTING NUT	A1020	
12	STEM PROTECT & INDICATION	Plastic	
13	BOLTS	A193-B7M	
14	METAL GASKET	SS304	
15	PACKING FITTING	SS304	
16	VENT VALVE	SS304	
17	GREASE FITTING	SS304	
18	PLUG	SS304	
19	BOLTS	A193-B7M	
20	GLAND FLANGE	ASTM A105N	
21	GLAND FOLLOWER	SS316	
22	LANTERN RING	SS316	
23	PACKING RING	BRAIDED GRAPHITE	

UNIT	SIZE	ϕd	$\phi d1$	$\phi d2$	ϕD	b	n- ϕd	L	H (shut)	H (open)	H1	ϕW
mm	8"	201	269.9	393.7	470	63.5	12- $\phi 38$	737	1020	1253	454.5	310
Inch	8"	7.9	10.6	15.5	18.5	2.50	12- $\phi 1.50$	29.0	40.2	49.3	17.9	12.2
mm	10"	252	323.8	469.9	546	69.9	16- $\phi 38$	838	1136	1420	520	460
Inch	10"	9.9	12.8	18.5	21.5	2.75	16- $\phi 1.50$	33.0	44.7	55.9	20.5	18.1
mm	12"	303	381	533.4	610	79.4	20- $\phi 38$	965	1293	1627	599.5	460
Inch	12"	11.9	15.0	21.0	24.0	3.13	20- $\phi 1.50$	38.0	50.9	64.1	23.6	18.1

WILLIAM E. WILLIAMS VALVE CORPORATION
 WWW.WILLIAMSVALVE.COM
 38-52 REVIEW AVENUE
 LONG ISLAND CITY, NY 11101
 TEL: 718-999-1660
 FAX: 718-729-5106

TITLE: CAST STEEL API-6D THRU CONDUIT SLAB GATE VALVE
 CLASS 900 - ENP TRIM WITH DEVLON SEATS - GEAR OPERATED

6/29/17	RELEASED	A.L.	R.P.	R.P.	MARKING SYSTEM	MSS-SP-25	INSPECTION & TEST: API 6D			MATERIAL: A216 WCC		UNITS: Inch, mm
					DIM.OF FLANGE	ANSI B16.5	SHELL	HYDRO	3350PSI	CLASS: 900	DATE: 12/11/15	SCALE: N.T.S.
6/29/16	RELEASED	F.J.	R.P.	R.P.	FACE TO FACE	API 6D	SEAT	AIR	80PSI	SIZE: 8" - 12"	FIG. No.: 98F-61D GO	
					DESIGNED	API 6D	BACK SEAT	HYDRO	2450PSI	DRAWN BY: F.J.		
12/11/15	RELEASED	F.J.	R.P.	R.P.			NACE MR 0175		CHK'D & APR'D BY: R.P.		REV: 3	DWG No.:60SG120477-812-28