

ITEM	FIG. NO.	SIZE	UNIT	d	d1	d2	D	B	n	E	L	H	H1	W	Sa	Weight(lbs/kg)
1	99F61D WCC GO	2"	mm	49	92.1	165.1	215	38.1	8	25	368	580	156	250	19.1	150/68
2	99F61D WCC GO	3"	mm	74	127	190.5	240	38.1	8	25	381	606	186	350	19.1	266/120
3	99F61D WCC GO	4"	mm	100	157.2	235	290	44.5	8	32	457	724	230	400	21.3	516/234
		4"	in	3.94	6.19	9.25	11.5	1.75	8	1-1/4	18.0	28.5	9.05	15.75	0.84	

ITEM	NAME	MATERIAL	NOTE
1	BODY	ASTM A216-WCC	
2	GATE	ASTM A216-WCC+ENP	
3	SEGMENT	ASTM A216-WCC+ENP	
4	SKIRT	ASTM A276-410	
5	O-RING	VITON AED	
6	SEAT	ASTM A105N+ENP	
7	GATE CENTRALIZER	ASTM A276-410	
8	PIN	ASTM A276-410	
9	STEM	ASTM A182-F316	
10	RTJ GASKET	ASTM A182-F316	
11	BONNET	ASTM A105N	
12	YOKE TUBE ASSLY	ASTM A1025	
13	THRUST BALL BEARING	ASTM A52100	
14	HANDWHEEL	ASTM A536 60-40-18	
15	CONNECTING NUT	ASTM A1020	
16	STEM PROTECTOR	PLASTIC	
17	DUST COVER CAP	PLASTIC	
18	BOLT	ASTM A193-B7M	
19	NUT	ASTM A194-2HM	
20	BOLT	ASTM A193-B7M	
21	NUT	ASTM A194-2HM	
22	BOLT	ASTM A193-B7M	
23	NUT	ASTM A194-2HM	
24	NUT	ASTM A194-2HM	
25	GLAND FLANGE	ASTM A276-316	
26	GLAND FOLLOWER	ASTM A276-316	
27	LANTERN RING	ASTM A276-316	
28	PACKING	INCONEL600+GRAPHITE	
29	STEM NUT	ZQUAL-9	
30	BEARING BOX	ASTM A1020	
31	GREASE FITTING	ASTM A283 GRC	
32	PACKING FITTING	ASTM A276-316(FITOK)	
33	AUTOVENT VALVE	ASTM A276-316(FITOK)	
34	VENT VALVE	ASTM A276-316(FITOK)	
35	INJECTION FITTING	ASTM A276-316(FITOK)	
36	PLUG	ASTM A276-316(FITOK)	
37	O-RING	VITON AED	
38	SEAT INSERT	DEVILON	

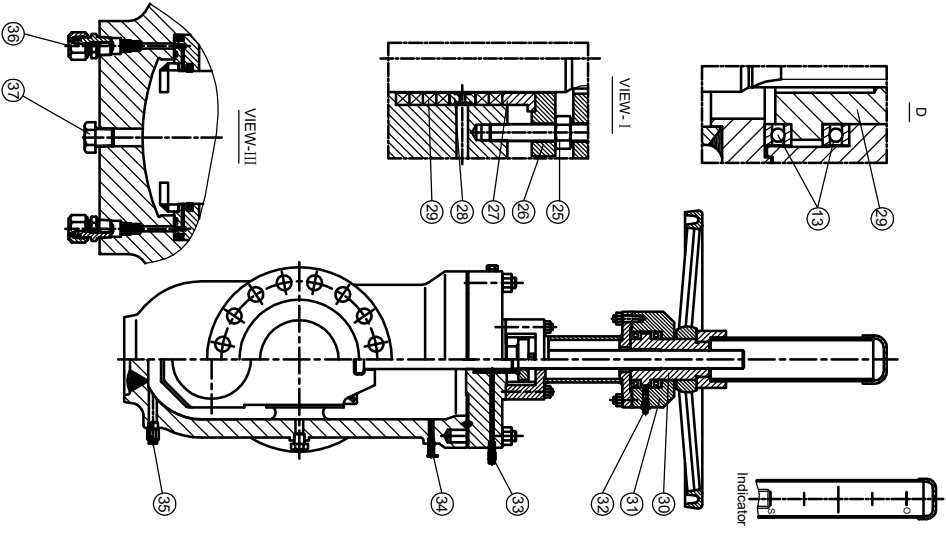
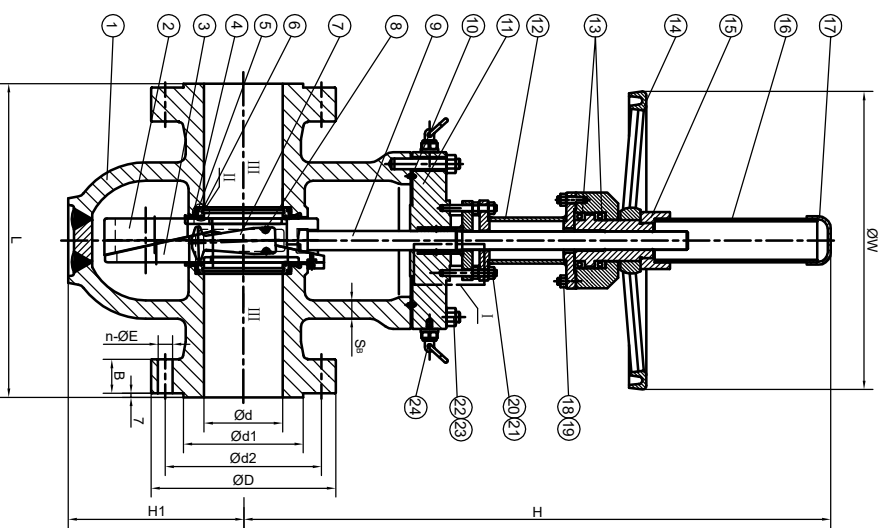
WILLIAM E. WILLIAMS
 VALVE CORPORATION
 WWW.WILLIAMSVALVE.COM
 98-59 REVISED AVENUE
 LONG BRAND CRT, NY 11101
 TEL: 718-932-1660
 FAX: 718-928-5106

NO.	DATE	DESCRIPTION	PRPD	REV'D	APP'D	DESIGNED	API 6D	ANSI B16.34	NACE MR 0175	CHK'D & APP'D BY:	REV:	DWG NO.:
1	08/27/20	RELEASED	F.J.	E.C.	E.C.	DESIGNED	API 6D	ANSI B16.34	NACE MR 0175	E.C.	1	99F61D WCC

TITLE: CAST STEEL API 6D EXPANDING GATE VALVE
 CLASS 900- API 6D - RF - GEAR OPERATED

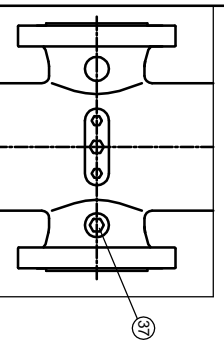
MARKING SYSTEM	MSS-SP-25	INSPECTION & TEST API 6D
DIM OF FLANGE	ANSI B16.5	SHELL
FACE TO FACE	API 6D	SEAT
WALL THICKNESS	API 6D	SEAT

MARKING SYSTEM	MSS-SP-25	INSPECTION & TEST API 6D
DIM OF FLANGE	ANSI B16.5	SHELL
FACE TO FACE	API 6D	SEAT
WALL THICKNESS	API 6D	SEAT



ITEM	NAME	MATERIAL	NOTE
1	BODY	ASTM A216-WCC	
2	GATE	ASTM A216-WCC+ENP	
3	SEGMENT	ASTM A216-WCC+ENP	
4	SKIRT	ASTM A276-410	
5	O-RING	VITON AED	
6	SEAT	ASTM A105N+ENP	
7	GATE CENTRALIZER	ASTM A276-410	
8	PIN	ASTM A276-410	
9	STEM	ASTM A182-F316	
10	RTJ GASKET	ASTM A182-F316	
11	BONNET	ASTM A105N	
12	YOKE TUBE ASSLY	ASTM A1025	
13	THRUST BALL BEARING	ASTM A52100	
14	HANDWHEEL	ASTM A536 60-40-18	
15	CONNECTING NUT	ASTM A1020	
16	STEM PROTECTOR	PLASTIC	NACE
17	DUST COVER CAP	PLASTIC	
18	BOLT	ASTM A193-B7M	
19	NUT	ASTM A194-2HM	
20	NUT	ASTM A193-B7M	
21	NUT	ASTM A194-2HM	
22	BOLT	ASTM A193-B7M	
23	NUT	ASTM A194-2HM	
24	LIFT	ASTM A1410	
25	NUT	ASTM A194-2HM	
26	GLAND FLANGE	ASTM A1020	
27	GLAND FOLLOWER	ASTM A276-316	
28	LANTERN RING	ASTM A276-316	
29	PACKING	INCONEL600+GRAPHITE	
30	STEM NUT	ZCuAL-9	
31	BEARING BOX	ASTM A1020	
32	GREASE FITTING	ASTM A283 GRC	
33	PACKING FITTING	ASTM A276-316(FITOK)	
34	AUTOVENT VALVE	ASTM A276-316(FITOK)	
35	VENT VALVE	ASTM A276-316(FITOK)	
36	INJECTION FITTING	ASTM A276-316(FITOK)	
37	PLUG	ASTM A276-316(FITOK)	
38	O-RING	VITON AED	
39	SEAT INSERT	DEVON	

ITEM	FIG. NO.	SIZE	UNIT	d	d1	d2	D	B	n	E	L	H	H1	W	Sa	Weight(lbs/kgs)
1	99F61D WCC GO	6"	mm	150	215.9	317.5	380	55.6	12	32	610	1110	344	500	26.2	743/337
2	99F61D WCC GO	8"	mm	201	269.9	393.7	470	63.5	12	38	737	1454	400	640	31.8	1272/577
3	99F61D WCC GO	10"	mm	252	323.8	469.9	545	69.9	16	38	838	1565	500	720	36.6	2251/1021
		10"	in	9.94	12.75	18.5	21.5	2.75	16	1-1/2	33.0	61.61	19.69	28.34	1.44	

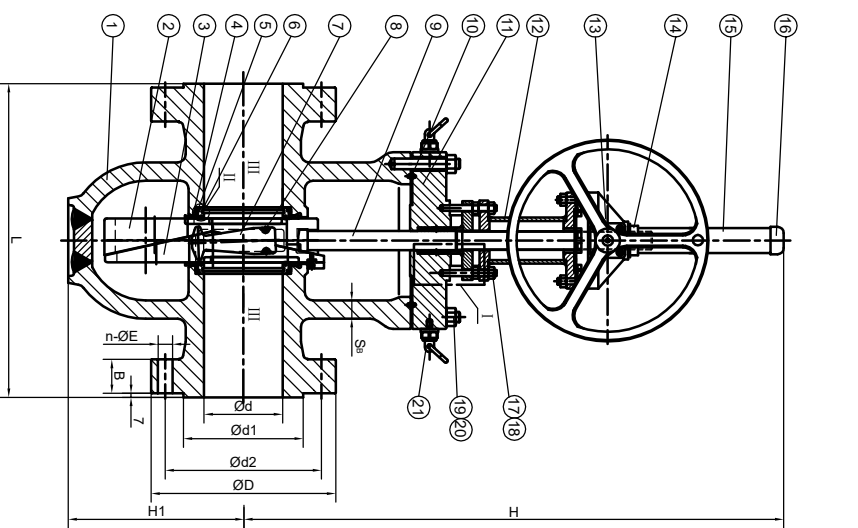


NO.	DATE	DESCRIPTION	PRPD	REV'D	APP'D	DESIGNED	API 6D	ANSI B16.34	NACE MR 0175	CHK'D & APP'D BY:	REV:	DWG NO.:
1	08/27/20	RELEASED	F.J.	E.C.	E.C.	DESIGNED	API 6D	ANSI B16.34	NACE MR 0175	F.J.	1	99F61D WCC

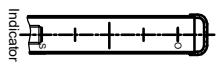
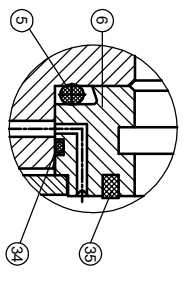
WILLIAM E. WILLIAMS
 VALVE CORPORATION
 99-59 REVUE AVENUE
 LONG BEACH CITY, NY 11011
 TEL: 718-932-1640
 FAX: 718-928-5106
 WWW.WILLIAMSVALVE.COM

TITLE: CAST STEEL API 6D EXPANDING GATE VALVE
 CLASS 900- API 6D - RF - GEAR OPERATED
 MATERIAL: ASTM A216 WCC
 CLASS: 900
 DATE: 08/27/20
 UNITS: Inch, mm
 SCALE: N.T.S.
 FIG. NO.: 99F61D WCC

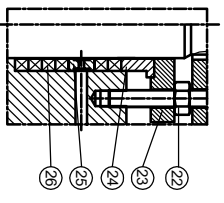
Wm. E. Williams No.99F61D WCC GO Class 900 RF API 6D Expanding Gate Valve ASTM A216 WCC NACE



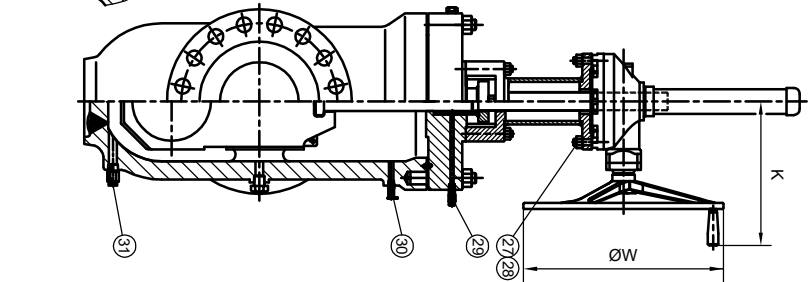
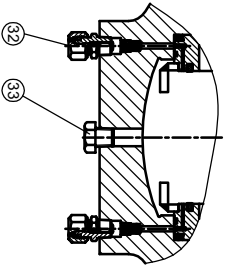
VIEW-II



VIEW-I

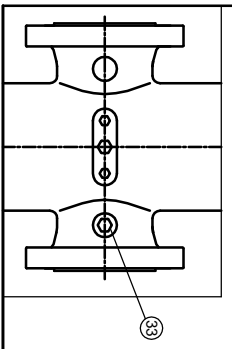


VIEW-III



ITEM	FIG. NO.	SIZE	UNIT	d	d1	d2	D	B	n	E	L	H	H1	W	K	Sb	Weight(lbs/kg)
1	99F61D WCC GO	8"	mm	201	289.9	393.7	470	63.5	12	38	737	1429	400	610	420	31.8	1329/603
2	99F61D WCC GO	10"	mm	252	323.8	469.9	545	69.9	16	38	838	1565	500	610	420	36.6	2315/1050
3	99F61D WCC GO	12"	mm	303	381	533.4	610	79.4	20	38	965	1880	615	710	505	42.2	3600/1633
		12"	in	11.94	15.0	21.0	24.0	3.12	20	1-1/2	38.0	73.23	24.21	27.95	19.88	1.66	

ITEM	NAME	MATERIAL	NOTE
1	BODY	ASTM A216-WCC	
2	GATE	ASTM A216-WCC+ENP	
3	SEGMENT	ASTM A216-WCC+ENP	
4	SKIRT	ASTM A276-410	
5	O-RING	VITON AED	
6	SEAT	ASTM A105N+ENP	
7	GATE CENTRALIZER	ASTM A276-410	
8	PIN	ASTM A276-410	
9	STEM	ASTM A182-F316	
10	RTJ GASKET	ASTM A182-F316	
11	BONNET	ASTM A105N	
12	YOKE TUBE ASSLY	ASTM A1025	
13	GEAR BOX	ASTM A216-WCB	
14	CONNECTING NUT	ASTM A1020	
15	STEM PROTECTOR	PLASTIC	
16	DUST COVER CAP	PLASTIC	
17	BOLT	ASTM A193-B7M	
18	NUT	ASTM A194-2HM	
19	BOLT	ASTM A193-B7M	
20	NUT	ASTM A194-2HM	
21	LIFT	ASTM A194-2HM	
22	NUT	ASTM A194-2HM	
23	GLAND FLANGE	ASTM A1020	
24	GLAND FOLLOWER	ASTM A276-316	
25	LANTERN RING	ASTM A276-316	
26	PACKING	INCONEL600+GRAPHITE	
27	BOLT	ASTM A193-B7M	
28	NUT	ASTM A194-2HM	
29	PACKING FITTING	ASTM A276-316(F10K)	
30	AUTOVENT VALVE	ASTM A276-316(F10K)	
31	VENT VALVE	ASTM A276-316(F10K)	
32	INJECTION FITTING	ASTM A276-316(F10K)	
33	PLUG	ASTM A276-316(F10K)	
34	O-RING	VITON AED	
35	SEAT INSERT	DEVON	



NO.	DATE	DESCRIPTION	PRPD	REV'D	APP'D	DESIGNED	API 6D	ANSI B16.34	MADE	MR 0775	CHK'D & APP'D BY:	REV:	DWG NO.:
1	08/27/20	RELEASED	F.J.	E.C.	E.C.	DESIGNED	API 6D	ANSI B16.34	MADE	MR 0775	CHK'D & APP'D BY: E.C.	REV: 1	DWG NO.:

WILLIAM E. WILLIAMS
VALVE CORPORATION
WWW.WILLIAMSVALVE.COM

98-52 REVIEW AVENUE
LONG ISLAND CITY, NY 11101
TEL: 718-932-1660
FAX: 718-728-5106

TITLE: CAST STEEL API 6D EXPANDING GATE VALVE
CLASS 900- API 6D - RF - GEAR OPERATED

MATERIAL: ASTM A216 WCC
CLASS: 900
DATE: 08/27/20
UNITS: Inch, mm
SCALE: N.T.S.
FIG. NO.: 99F61D WCC GO