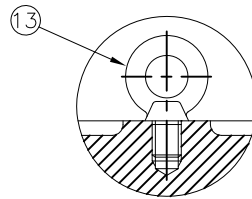
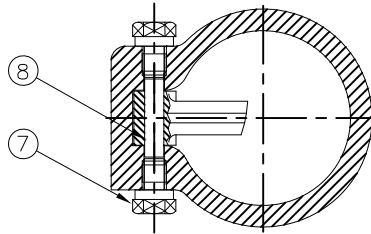
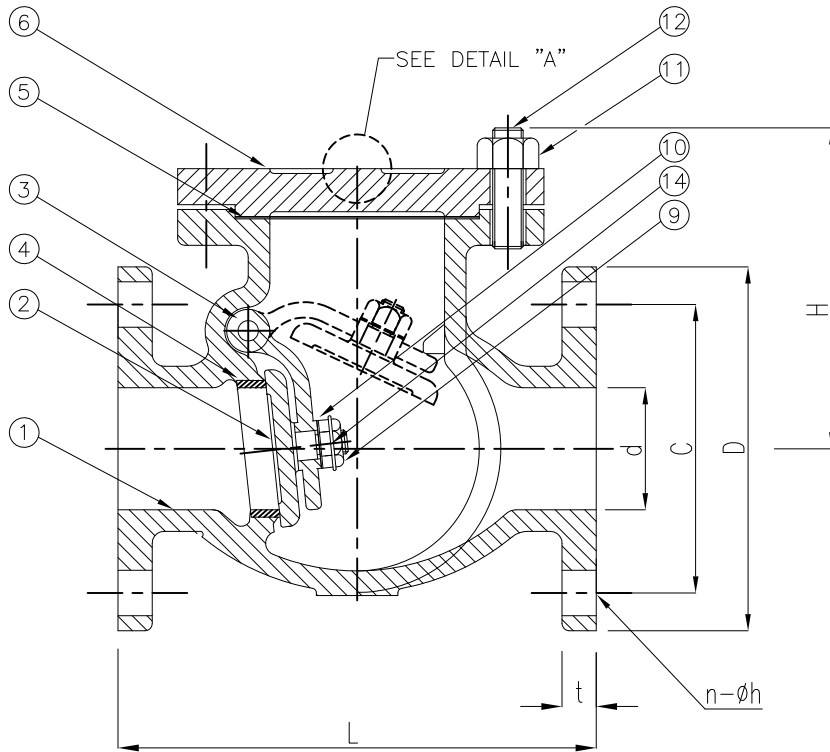


Wm. E. Williams No. B15SW Class 150 Flanged Bolted Cover Swing Check Valve ASTM B62



DETAIL "A" (8" OVER)



BILL OF MATERIALS

NO.	PART NAME	MATERIALS	Q'TY
1	BODY	ASTM B62	1
2	DISC	ASTM B62	1
3	HINGE ARM	ASTM B62	1
4	SEAT RING	ASTM B62	1
5	GASKET	TFE (SEE NOTE 1)	1
6	COVER	ASTM B62	1
7	SIDE PLUG	ASTM B16	2
8	HINGE PIN	ASTM B36	1
9	DISC NUT	ASTM B16	1
10	WASHER	ASTM B16	1
11	STUD NUT	ASTM B16	1 SET
12	COVER STUD	ASTM B16	1 SET
13	EYE HOOK	STEEL	1
14	COTTER PIN	BRASS	1

NOTE:

1. ALSO AVAILABLE IN GRAPHITE. PLEASE SPECIFY WHEN ORDERING.

SIZE	d	L	D	C	t	H	n-øh
1-1/2	1.50	6.50	5.00	3.87	0.437	4.812	4-0.62
2	2.00	8.00	6.00	4.75	0.500	5.250	4-0.75
2-1/2	2.50	8.50	7.00	5.50	0.562	5.750	4-0.75
3	3.00	9.50	7.50	6.00	0.625	6.187	4-0.75
4	4.00	11.50	9.00	7.50	0.687	7.000	8-0.75
5	5.00	13.00	10.00	8.50	0.750	7.812	8-0.87
6	6.00	13.00	11.00	9.50	0.813	8.250	8-0.87
8	8.00	19.50	13.50	11.75	0.938	10.18	8-0.87
10	10.00	24.50	16.00	14.25	1.000	12.06	12-1.00
12	12.00	27.50	19.00	17.00	1.062	12.50	12-1.00



TITLE: CAST BRONZE SWING CHECK VALVE
CLASS 150 - FLANGED - ASTM B62

NO.	DATE	DESCRIPTION	PRP'D	REV'D	APP'D	APPLICABLE STANDARDS	INSPECTION & TEST: MSS-SP80	MATERIAL: ASTM B62	UNITS: Inch, mm
△	1/20/15	RE-RELEASED	F.J.	R.P.	R.P.	MSS-SP-6 MSS-SP-25	SHELL HYDRO 350PSI	CLASS: 150	DATE: 01/01/12
△	1/1/12	RELEASED	F.J.	R.P.	R.P.	MSS-SP-9 MSS-SP-82	SEAT AIR -	SIZE: 1-1/2" - 12"	SCALE: N.T.S.
						DESIGNED ANSI B16.24	BACK SEAT HYDRO 225PSI	DRAWN BY: F.J.	FIG. No.: B15SW
								CHK'D & APR'D BY: R.P.	REV: 2 DWG No.: 20SC120007-20