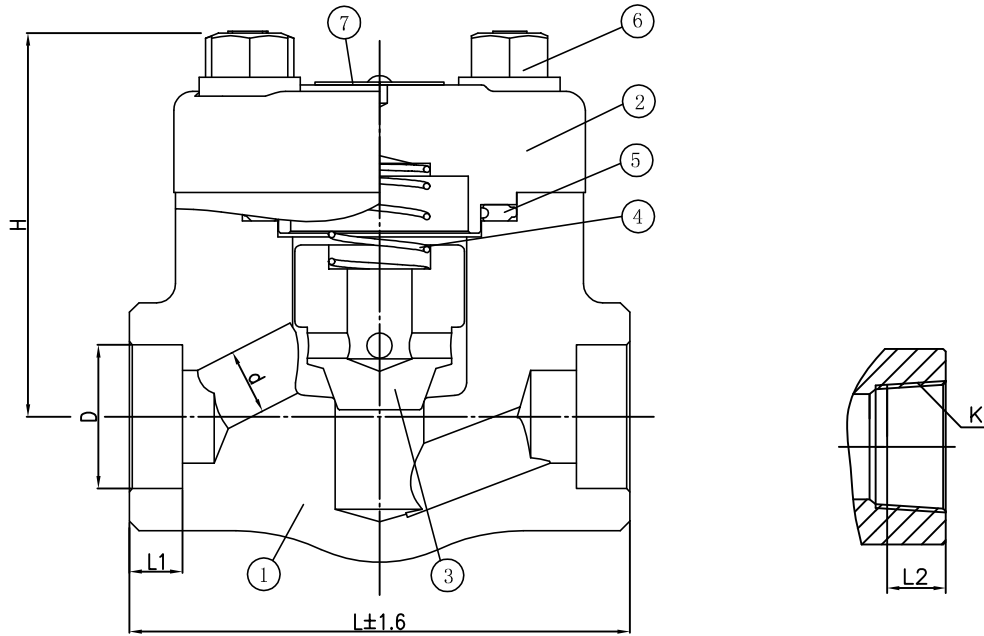


Class 1500 BB Lift Check Valve A105N (API Trim 8) NACE

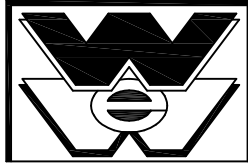


BILL OF MATERIALS

ITEM	PART NAME	MATERIAL	QTY
1	BODY	A105N + HF	1
2	COVER	A105N	1
3	DISC	A276-420	1
4	SPRING	304 SS	1
5	GASKET	F304+Graphite	1
6	BONNET BOLT	A193-B7M	4
7	NAME PLATE	STAINLESS STEEL	1

VALVE SIZE		L	d	D	L1	H	K	L2
DN	IN							
15	1/2"	111	φ10	φ21.8	10	98	1/2"	φ15.5
20	3/4"	111	φ14	φ27.2	13	98	3/4"	φ16.5
25	1"	120	φ19	φ33.9	13	104	1"	φ19.5
32	1 1/4"	152	φ25	φ42.7	13	120	1 1/4"	φ21
40	1 1/2"	172	φ29	φ48.8	13	140	1 1/2"	φ21
50	2"	220	φ35	φ61.2	16	158	2"	φ23

NO.	DATE	DESCRIPTION	PRP'D	REV'D	APP'D	MARKING SYSTEM	MSS-SP-25	INSPECTION & TEST: API 598
						FACE TO FACE	API 602	SHELL HYDRO 5598PSI
						WALL THICKNESS	BS1868	SEAT AIR 80PSI
						DESIGNED	API 602	BACK SEAT HYDRO 4100PSI
								NACE MR 0175



WILLIAM E. WILLIAMS
VALVE CORPORATION

38-52 REVIEW AVENUE
LONG ISLAND CITY, NY 11101

TEL: 718-392-1660
FAX: 718-729-5106

WWW.WILLIAMSVALVE.COM

TITLE: FORGED STEEL BOLTED BONNET LIFT CHECK VALVE - CLASS 1500 - API TRIM 8

MATERIAL: A105N		UNITS: Inch, mm
CLASS: 1500	DATE: 01/01/12	SCALE: N.T.S.
SIZE: 1/2 - 2"		FIG. No.:
DRAWN BY: F.J.		F1501LTXS-2N (sw. by thr. ends) F1501LSW-2N (sw. ends) F1501LT-2N (thr. ends)
CHK'D & APR'D BY: R.P.	REV: 1	DWG No.: 50LC120209