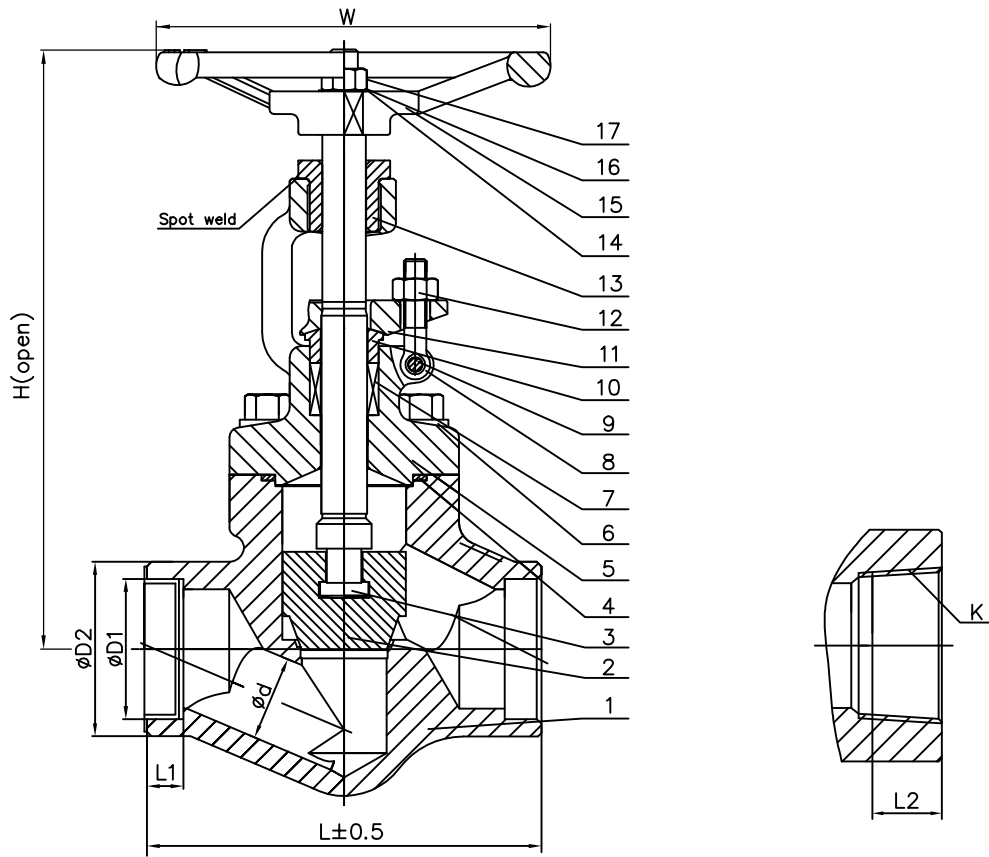


# Class 1500 OS&Y BB Globe Valve A105N (API Trim 8) NACE

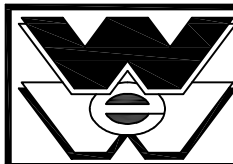


| NO. | PART NAME      | MATERIAL   | QTY.  |
|-----|----------------|--|-------|
| 1   | BODY           | A105N + HF   | 1     |
| 2   | DISC           | A276-420   | 1     |
| 3   | STEM           | A276-410   | 1     |
| 4   | GASKET         | 304 + GRAPHITE                                       | 1     |
| 5   | BONNET         | A105N  | 1     |
| 6   | BONNET BOLT    | A193-B7M   | 4     |
| 7   | PACKING        | GRAPHITE WITH CORROSION INHIBITOR & DIE FORMED RINGS | 1 SET |
| 8   | EYE BOLT       | A193 410   | 2     |
| 9   | PIN            | A276 410   | 2     |
| 10  | PACKING GLANGE | A276 420   | 1     |
| 11  | GLAND FLANGE   | WCB  | 1     |
| 12  | NUT            | A194 2HM   | 2     |
| 13  | STEM NUT       | A276 410   | 1     |
| 14  | NAMEPLATE      | STAINLESS STEEL                                      | 1     |
| 15  | HAND WHEEL     | A197   | 1     |
| 16  | WASHER         | A276 410   | 1     |
| 17  | HAND WHEEL NUT | A108 1020  | 1     |

| SIZE<br>DN | in     | d     | L   | H   | W    | D2 | D1    | K             | L1 | L2   |
|------------|--------|-------|-----|-----|------|----|-------|---------------|----|------|
|            |        |       |     |     |      |    | ANSI  | ANSI<br>(NPT) |    |      |
| 15         | 1/2'   | ø10   | 111 | 170 | ø125 | 51 | ø21.8 | 1/2'          | 10 | 15.5 |
| 20         | 3/4'   | ø13   | 111 | 193 | ø125 | 51 | ø27.2 | 3/4'          | 13 | 16.5 |
| 25         | 1'     | ø17.5 | 120 | 230 | ø160 | 60 | ø33.9 | 1'            | 13 | 19.5 |
| 32         | 1 1/4' | ø23   | 152 | 246 | ø160 | 64 | ø42.7 | 1 1/4'        | 13 | 21   |
| 40         | 1 1/2' | ø30   | 172 | 283 | ø180 | 80 | ø48.8 | 1 1/2'        | 13 | 21   |
| 50         | 2'     | ø36   | 220 | 325 | ø200 | 90 | ø61.2 | 2'            | 16 | 23   |

| NO. | DATE | DESCRIPTION | PRP'D | REV'D | APP'D | MARKING SYSTEM | MSS-SP-25 | INSPECTION & TEST: API 598 |       |         |  |  |
|-----|------|-------------|-------|-------|-------|----------------|-----------|----------------------------|-------|---------|--|--|
|     |      |             |       |       |       | FACE TO FACE   | API 602   | SHELL                      | HYDRO | 5598PSI |  |  |
|     |      |             |       |       |       | WALL THICKNESS | BS1868    | SEAT                       | AIR   | 80PSI   |  |  |
|     |      |             |       |       |       | DESIGNED       | API 602   | BACK SEAT                  | HYDRO | 4100PSI |  |  |
|     |      |             |       |       |       |                |           | NACE MR 0175               |       |         |  |  |

**WILLIAM E.**



WWW.WILLIAMSVALVE.COM

**WILLIAMS**

VALVE CORPORATION

38-52 REVIEW AVENUE  
LONG ISLAND CITY, NY 11101

TEL: 718-392-1660  
FAX: 718-729-5106

**TITLE: FORGED STEEL BOLTED BONNET GLOBE VALVE - CLASS 1500 - API TRIM 8**

|                        |                |                               |
|------------------------|----------------|-------------------------------|
| MATERIAL: A105N        |                | UNITS: Inch, mm               |
| CLASS: 1500            | DATE: 01/01/12 | SCALE: N.T.S.                 |
| SIZE: 1/2 - 2"         |                | FIG. No.:                     |
| DRAWN BY: F.J.         |                | F1502XS-2N (sw. by thr. ends) |
| CHK'D & APR'D BY: R.P. |                | F1502SW-2N (sw. ends)         |
| REV: 1                 |                | F1502T-2N (thr. ends)         |
|                        |                | DWG No.: 50GL120173           |