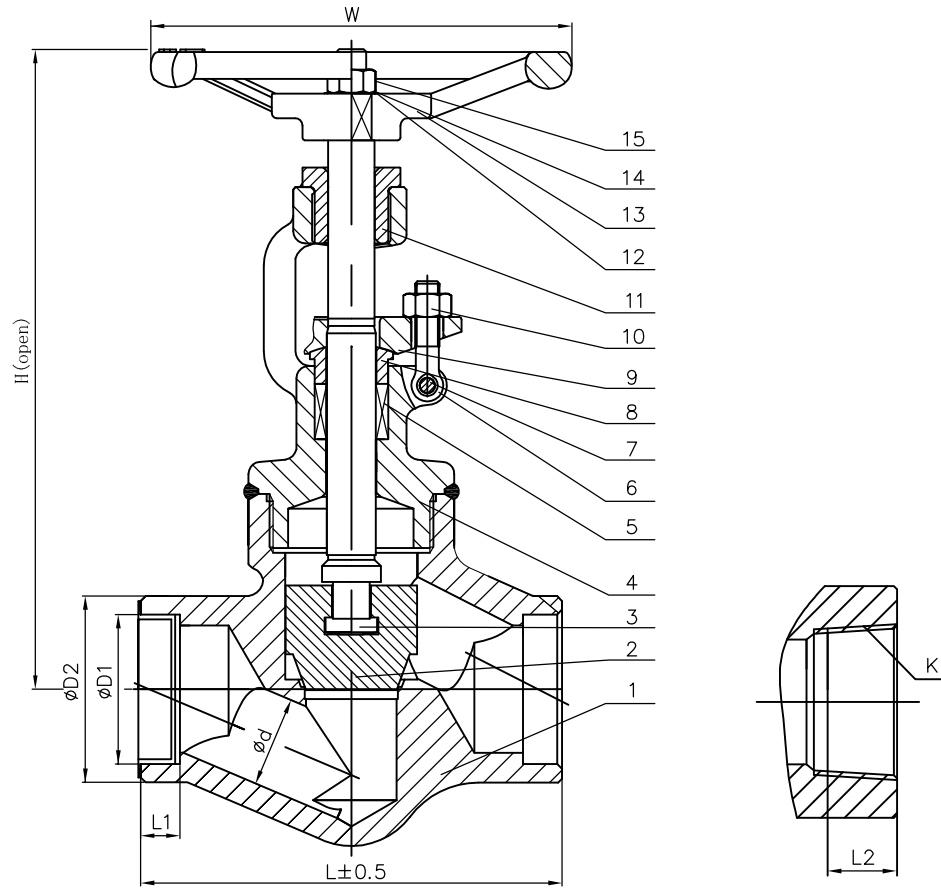


# Class 1500 OS&Y Welded Bonnet Globe Valve A105N (API Trim 8) NACE



PART NO.	PART NAME	MATERIAL	QTY
1	BODY	A105N+HF	1
2	DISC	A276-410	1
3	STEM	A276-410	1
4	BONNET	A105N	1
5	PACKING	GRAPHITE WITH CORROSION INHIBITOR AND DIE FORMED RINGS	1 SET
6	EYE BOLT	A193 B7M	2
7	PIN	A276-410	2
8	PACKING GLAND	A276-410	1
9	GLAND FLANGE	WCB	1
10	NUT	A194-2HM	2
11	STEM NUT	A276-410	1
12	NAMEPLATE	STAINLESS STEEL	1
13	WHEEL	A197	1
14	WASHER	Q235-A	1
15	NUT	A108 1020	1

SIZE		d	L	H	W	D2	D1	K	L1	L2
DN	in						ANSI	ANSI (NPT)	ANSI	ANSI
15	1/2'	ø10	111	170	ø125	51	ø21.8	1/2'	10	15.5
20	3/4'	ø13	111	193	ø125	51	ø27.2	3/4'	13	16.5
25	1'	ø17.5	120	230	ø160	60	ø33.9	1'	13	19.5
32	1 1/4'	ø23	152	246	ø160	64	ø42.7	1 1/4'	13	21
40	1 1/2'	ø30	172	283	ø180	80	ø48.8	1 1/2'	13	21
50	2'	ø36	220	325	ø200	90	ø61.2	2'	16	23

WILLIAM E. VALVE CORPORATION  
 WWW.WILLIAMSVALVE.COM  
 38-52 REVIEW AVENUE  
 LONG ISLAND CITY, NY 11101  
 TEL: 718-392-1660  
 FAX: 718-729-5106

TITLE: FORGED STEEL WELDED BONNET GLOBE VALVE - CLASS 1500 - API TRIM 8	
MATERIAL: A105N	UNITS: Inch, mm
CLASS: 1500	DATE: 01/01/12
SCALE: N.T.S.	
SIZE: 1/2 - 2"	FIG. No.:
DRAWN BY: F.J.	F 1502XS-2N WB (sw. by thr. ends) F 1502SW-2N WB (sw. ends) F 1502T-2N WB (thr. ends)
CHK'D & APR'D BY: R.P.	REV: 1
DWG No.:	50GL120182

NO.	DATE	DESCRIPTION	PRP'D	REV'D	APP'D
Δ	1/1/12	ISSUED FOR PROPOSAL			

MARKING SYSTEM	MSS-SP-25	INSPECTION & TEST: API 598
FACE TO FACE	API 602	SHELL HYDRO 5598PSI
WALL THICKNESS	BS1868	SEAT AIR 80PSI
DESIGNED	API 602	BACK SEAT HYDRO 4100PSI
NACE MR 0175		