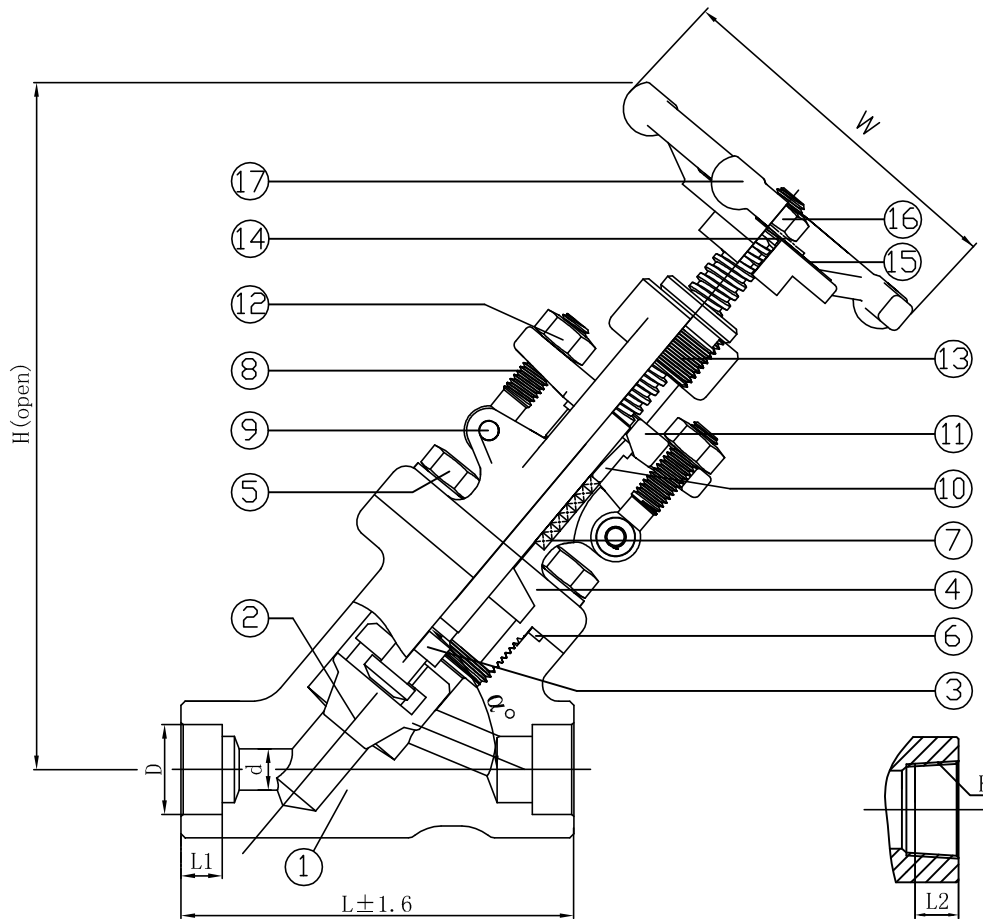


Class 1500 OS&Y Bolted Bonnet Y Pattern Globe Valve A105N (API Trim 8) NACE



NO.	PART NAME	A105N MATERIAL	QTY.
1	BODY	A105N+HF	1
2	DISC	A276-410	1
3	STEM	A276-410	1
4	BONNET	A105N	1
5	BONNET BOLT	A193 B7M	2
6	GASKET	304 + GRAPHITE	1
7	PACKING	GRAPHITE WITH CORROSION INHIBITOR & DIE FORMED RINGS	1 SET
8	GLAND BOLT	A193 B7M	2
9	GLAND BOLT PIN	A276 410	2
10	PACKING FLANGE	A276 420	1
11	GLAND FLANGE	WCB	1
12	NUT	A194 2HM	2
13	STEM NUT	A276 410	1
14	WASHER	A276 410	1
15	NAMEPLATE	STAINLESS STEEL	1
16	HAND WHEEL NUT	A108 1020	1
17	HAND WHEEL	A197	1

VALVE SIZE		L	d	D	L1	α°	H	W	K	L2
DN	IN									
15	1/2"	98	∅10	∅21.8	10	55°	170	∅125	1/2"	15.5
20	3/4"	120	∅13	∅27.2	13	55°	195	∅125	3/4"	16.5
25	1"	140	∅18	∅33.9	13	55°	235	∅160	1"	19.5
32	1 1/4"	140	∅23	∅42.7	13	60°	278	∅160	1 1/4"	21
40	1 1/2"	170	∅29	∅48.8	13	60°	278	∅180	1 1/2"	21
50	2"	190	∅35	∅61.2	16	45°	310	∅200	2"	23

WILLIAM E. VALVE CORPORATION
 WWW.WILLIAMSVALVE.COM
 38-52 REVIEW AVENUE
 LONG ISLAND CITY, NY 11101
 TEL: 718-392-1660
 FAX: 718-729-5106

TITLE: FORGED STEEL BOLTED BONNET
 Y PATTERN GLOBE VALVE - CLASS 1500 - API TRIM 8

MATERIAL: A105N	UNITS: Inch, mm
CLASS: 1500	DATE: 01/01/12
SCALE: N.T.S.	
SIZE: 1/2 - 2"	FIG. No.: F1502YTXS-2N (sw. by thr. ends) F1502YSW-2N (sw. ends) F1502YT-2N (thr. ends)
DRAWN BY: F.J.	CHK'D & APR'D BY: R.P.
REV: 1	DWG No.: 50YGL120191

NO.	DATE	DESCRIPTION	PRP'D	REV'D	APP'D
Δ	1/1/12	ISSUED FOR PROPOSAL			

MARKING SYSTEM	MSS-SP-25	INSPECTION & TEST: API 598
FACE TO FACE	API 602	SHELL HYDRO 5598PSI
WALL THICKNESS	BS1868	SEAT AIR 80PSI
DESIGNED	API 602	BACK SEAT HYDRO 4100PSI
NACE MR 0175		