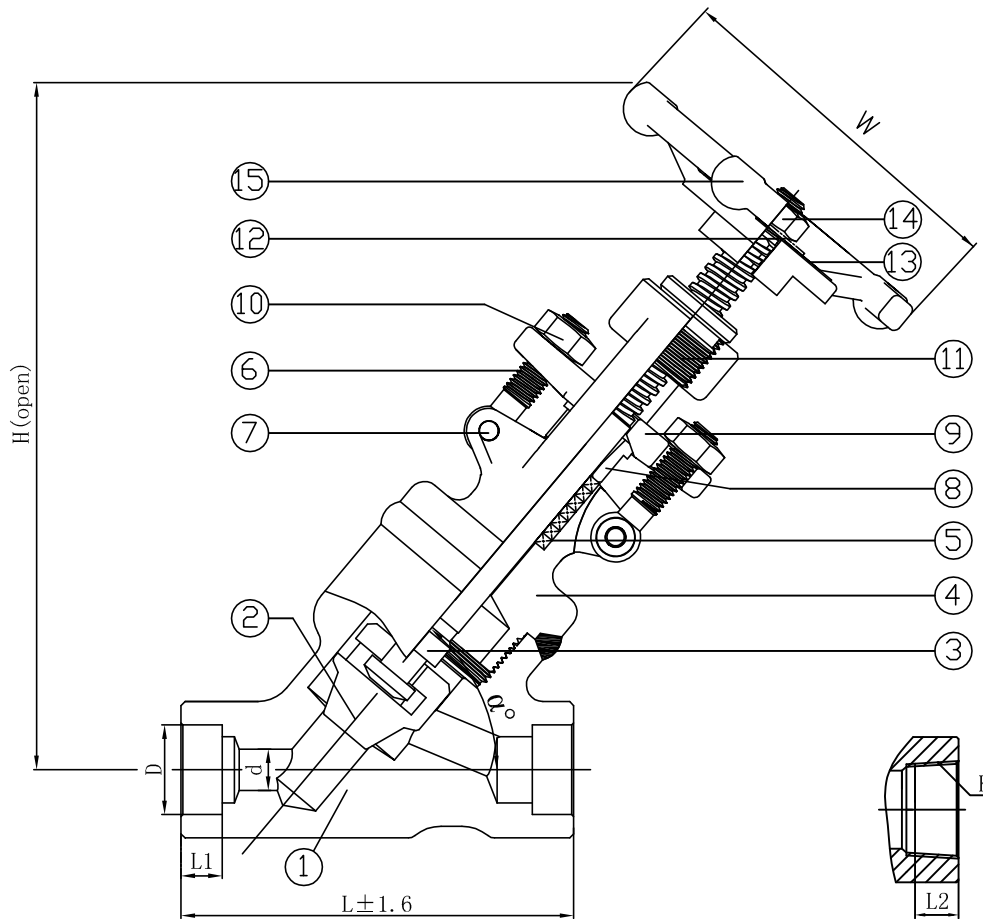


Class 1500 OS&Y Welded Bonnet Y Pattern Globe Valve A105N (API Trim 8) NACE



NO.	PART NAME	MATERIAL	QTY.
1	BODY	A105N+HF	1
2	DISC	A276-410	1
3	STEM	A276-410	1
4	BONNET	A105N	1
5	PACKING	GRAPHITE WITH CORROSION INHIBITOR & DIE FORMED RINGS	1 SET
6	GLAND BOLT	A193 B7M	2
7	GLAND BOLT PIN	A276 410	2
8	PACKING FLANGE	A276 420	1
9	GLAND FLANGE	WCB	1
10	NUT	A194 2HM	2
11	STEM NUT	A276 410	1
12	WASHER	A276 410	1
13	NAMEPLATE	STAINLESS STEEL	1
14	HAND WHEEL NUT	A108 1020	1
15	HAND WHEEL	A197	1

VALVE SIZE		L	d	D	L1	α°	H	W	K	L2
DN	IN									
15	1/2"	98	φ10	φ21.8	10	55°	170	φ125	1/2"	15.5
20	3/4"	120	φ13	φ27.2	13	55°	195	φ125	3/4"	16.5
25	1"	140	φ18	φ33.9	13	55°	235	φ160	1"	19.5
32	1 1/4"	140	φ23	φ42.7	13	60°	278	φ160	1 1/4"	21
40	1 1/2"	170	φ29	φ48.8	13	60°	278	φ180	1 1/2"	21
50	2"	190	φ35	φ61.2	16	45°	310	φ200	2"	23

WILLIAM E. WILLIAMS VALVE CORPORATION
 WWW.WILLIAMSVALVE.COM
 38-52 REVIEW AVENUE
 LONG ISLAND CITY, NY 11101
 TEL: 718-392-1660
 FAX: 718-729-5106

TITLE: FORGED STEEL WELDED BONNET Y PATTERN GLOBE VALVE - CLASS 1500 - API TRIM 8	
MATERIAL: A105N	UNITS: Inch, mm
CLASS: 1500	DATE: 01/01/12
SCALE: N.T.S.	
SIZE: 1/2 - 2"	FIG. No.: F1502YTXS-2N WB (sw. by thr. ends) F1502YSW-2N WB (sw. ends) F1502YT-2N WB (thr. ends)
DRAWN BY: F.J.	
CHK'D & APR'D BY: R.P.	REV: 1
DWG No.: 50YGL120200	

NO.	DATE	DESCRIPTION	PRP'D	REV'D	APP'D
Δ	1/1/12	ISSUED FOR PROPOSAL			

MARKING SYSTEM	MSS-SP-25	INSPECTION & TEST: API 598
FACE TO FACE	API 602	SHELL HYDRO 5598PSI
WALL THICKNESS	BS1868	SEAT AIR 80PSI
DESIGNED	API 602	BACK SEAT HYDRO 4100PSI
		NACE MR 0175