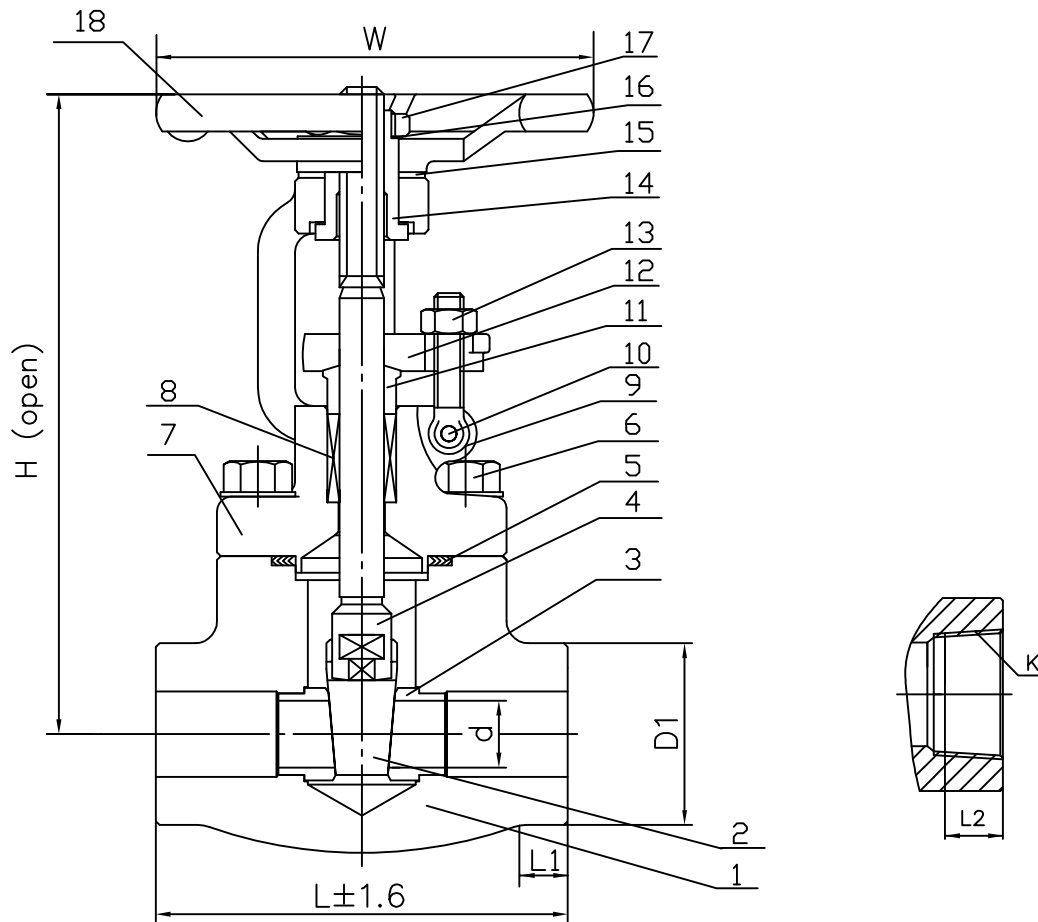


# Class 1500 OS&Y BB Gate Valve A105N (API Trim 8) NACE



BILL OF MATERIALS			
NO.	PART NAME	MATERIALS	QTY
1	Body	A105N	1
2	Disc	A276-410	1
3	Seat ring	A276-410 + HF	2
4	Stem	A276-410	1
5	Gasket	304+Graphite	1
6	Bonnet Bolt	A193-B7M	4
7	Bonnet	A105N	1
8	Packing	GRAPHITE WITH CORROSION INHIBITOR AND DIE FORMED RINGS	1Set
9	Gland Bolt	A193-201	2
10	Gland Bolt Pin	A276-410	2
11	Packing Flange	A276-410	1
12	Gland Flange	WCB	1
13	Nut	A194-2HM	2
14	Stem Nut	A276-410	1
15	Washer	A276-410	2
16	Nameplate	STAINLESS STEEL	1
17	Hand Wheel Nut	A108-1025	1
18	Hand Wheel	A197	1

Valve Size	L	d	H (open)	W	D1	L1	K	L2
DN in								
15 1/2"	111	ø13	193	ø125	ø51	10	1/2'	15.5
20 3/4"	111	ø18	230	ø160	ø51	13	3/4'	16.5
25 1'	120	ø24	246	ø160	ø60	13	1'	19.5
32 1 1/4"	120	ø29	283	ø180	ø64	13	1 1/4"	21
40 1 1/2"	140	ø36.5	325	ø200	ø80	13	1 1/2"	21
50 2'	178	ø49	334	ø200	ø90	16	2'	23

WILLIAM E. VALVE CORPORATION  
 WWW.WILLIAMSVALVE.COM  
 38-52 REVIEW AVENUE  
 LONG ISLAND CITY, NY 11101  
 TEL: 718-392-1660  
 FAX: 718-729-5106

TITLE: FORGED STEEL BOLTED BONNET GATE VALVE - CLASS 1500 - API TRIM 8 - FULL PORT			
MATERIAL: A105N		UNITS: Inch, mm	
CLASS: 1500	DATE: 01/01/12	SCALE: N.T.S.	
SIZE: 1/2 - 2"		FIG. No.: F157XS-2N (sw. by thr. ends) F157SW-2N (sw. ends) F157T-2N (thr. ends)	
DRAWN BY: F.J.		CHK'D & APR'D BY: R.P.	
REV: 1		DWG No.: 50GA120266	

MARKING SYSTEM	MSS-SP-25	INSPECTION & TEST:	API 598		
FACE TO FACE	API 602	SHELL	HYDRO 5400PSI		
WALL THICKNESS	BS1868	SEAT	AIR 80PSI		
DESIGNED	API 602	BACK SEAT	HYDRO 3975PSI		
NACE MR 0175					
NO.	DATE	DESCRIPTION	PRP'D	REV'D	APP'D
Δ	1/1/12	ISSUED FOR PROPOSAL			