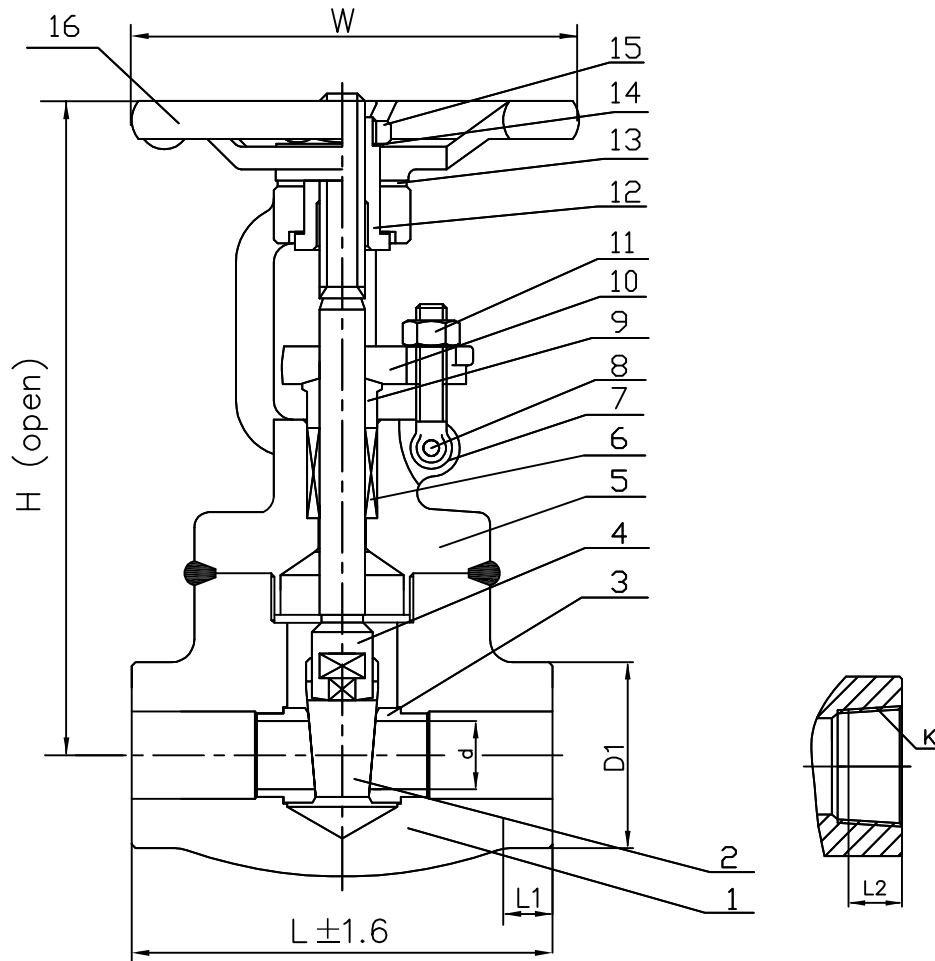


Class 1500 OS&Y Welded Bonnet Gate Valve A105N (API Trim 8) NACE



| Item | Part Name | Qty | Material |
|------|----------------|------|--|
| 1 | Body | 1 | A105N |
| 2 | Disc | 1 | A276-410 |
| 3 | Seat ring | 2 | A276-410+HF |
| 4 | Stem | 1 | A276-410 |
| 5 | Bonnet | 1 | A105N |
| 6 | Packing | 1Set | GRAPHITE WITH CORROSION INHIBITOR AND DIE FORMED RINGS |
| 7 | Gland Bolt | 2 | A193 B7M |
| 8 | Gland Bolt Pin | 2 | A276-410 |
| 9 | Packing Flange | 1 | A276-410 |
| 10 | Gland Flange | 1 | WCB |
| 11 | Nut | 2 | A194-2HM |
| 12 | Stem Nut | 1 | A276-410 |
| 13 | Washer | 2 | A276-410 |
| 14 | Nameplate | 1 | Stainless Steel |
| 15 | Hand Wheel Nut | 1 | A108-1025 |
| 16 | Hand Wheel | 1 | A197 |

| DN | in | d | L | D1 | L1 | L2 | K | W | H (open) |
|----|--------|-------|-----|-----|----|------|--------|-----|----------|
| 15 | 1/2' | ø13 | 111 | ø51 | 10 | 15.5 | 1/2' | 125 | 193 |
| 20 | 3/4' | ø18 | 111 | ø51 | 13 | 16.5 | 3/4' | 160 | 230 |
| 25 | 1' | ø24 | 120 | ø60 | 13 | 19.5 | 1' | 160 | 246 |
| 32 | 1 1/4" | ø29 | 120 | ø64 | 13 | 21 | 1 1/4" | 180 | 283 |
| 40 | 1 1/2" | ø36.5 | 140 | ø80 | 13 | 21 | 1 1/2" | 200 | 325 |
| 50 | 2' | ø49 | 178 | ø90 | 16 | 23 | 2' | 200 | 334 |

| NO. | DATE | DESCRIPTION | PRP'D | REV'D | APP'D | MARKING SYSTEM | MSS-SP-25 | INSPECTION & TEST: API 598 |
|-----|------|-------------|-------|-------|-------|----------------|-----------|----------------------------|
| | | | | | | FACE TO FACE | API 602 | SHELL HYDRO 5598PSI |
| | | | | | | WALL THICKNESS | BS1868 | SEAT AIR 80PSI |
| | | | | | | DESIGNED | API 602 | BACK SEAT HYDRO 4100PSI |
| | | | | | | | | NACE MR 0175 |

WILLIAM E. VALVE CORPORATION
 WWW.WILLIAMSVALVE.COM
 38-52 REVIEW AVENUE
 LONG ISLAND CITY, NY 11101
 TEL: 718-392-1660
 FAX: 718-729-5106

| | | |
|--|---|---------------------|
| TITLE: FORGED STEEL WELDED BONNET GATE VALVE - CLASS 1500 - API TRIM 8 - FULL PORT | | |
| MATERIAL: A105N | UNITS: Inch, mm | |
| CLASS: 1500 | DATE: 01/01/12 | SCALE: N.T.S. |
| SIZE: 1/2 - 2" | FIG. No.: F157TS-2N WB (sw. by thr. ends) F157SW-2N WB (sw. ends) F157T-2N WB (thr. ends) | |
| DRAWN BY: F.J. | | |
| CHK'D & APR'D BY: R.P. | REV: 1 | DWG No.: 50GA120267 |