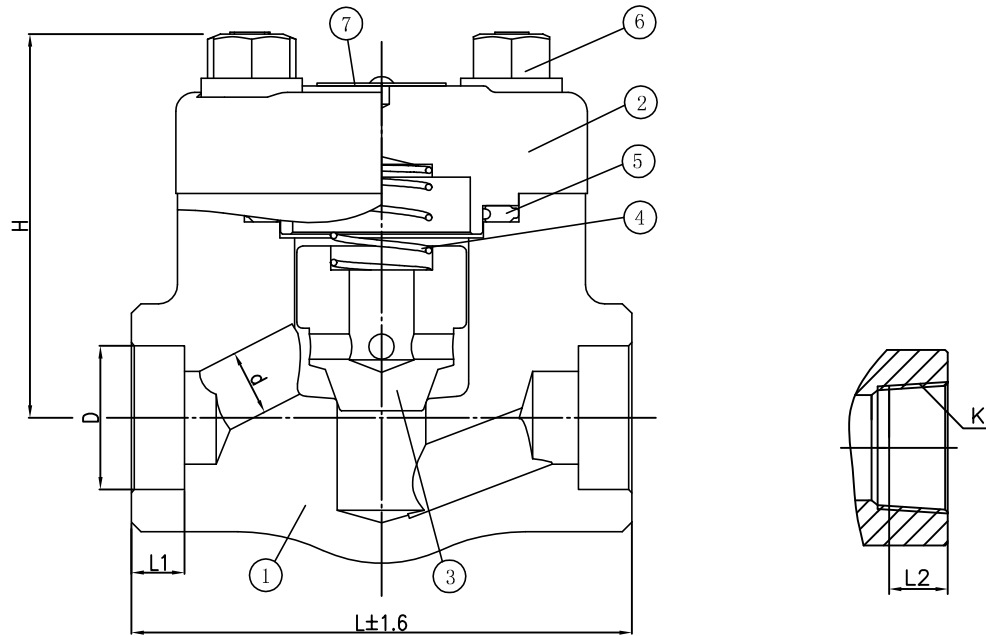


# Class 800 BB Lift Check Valve A105N (API Trim 8) NACE



## BILL OF MATERIALS

ITEM	PART NAME	MATERIAL	QTY
1	BODY	A105N + HF	1
2	COVER	A105N	1
3	DISC	A276-420	1
4	SPRING	304 SS	1
5	GASKET	F304+Graphite	1
6	BONNET BOLT	A193-B7M	4
7	NAME PLATE	STAINLESS STEEL	1

VALVE SIZE		L	d	D	L1	H	K	L2
DN	IN							
15	1/2"	79	Ø10	Ø21.8	10	62	1/2"	Ø15.5
20	3/4"	92	Ø13	Ø27.2	13	63	3/4"	Ø16.5
25	1"	111	Ø18	Ø33.9	13	78	1"	Ø19.5
32	1 1/4"	120	Ø23	Ø42.7	13	82	1 1/4"	Ø21
40	1 1/2"	152	Ø29	Ø48.8	13	102	1 1/2"	Ø21
50	2"	172	Ø36	Ø61.2	16	172	2"	Ø23

NO.	DATE	DESCRIPTION	PRP'D	REV'D	APP'D	MARKING SYSTEM	MSS-SP-25	INSPECTION & TEST: API 598
						FACE TO FACE	API 602	SHELL HYDRO 2975PSI
						WALL THICKNESS	BS1868	SEAT AIR 80PSI
						DESIGNED	API 602	BACK SEAT HYDRO 2175PSI
								NACE MR 0175

**WILLIAM E. WILLIAMS**  
VALVE CORPORATION

38-52 REVIEW AVENUE  
LONG ISLAND CITY, NY 11101

WWW.WILLIAMSVALVE.COM  
TEL: 718-392-1660  
FAX: 718-729-5106

TITLE: FORGED STEEL BOLTED BONNET LIFT CHECK VALVE - CLASS 800 - API TRIM 8		
MATERIAL: A105N	UNITS: Inch, mm	
CLASS: 800	DATE: 01/01/12	SCALE: N.T.S.
SIZE: 1/2 - 2"	FIG. No.: F801LTXS-2N (sw. by thr. ends) F801LSW-2N (sw. ends) F801LT-2N (thr. ends)	
DRAWN BY: F.J.		
CHK'D & APR'D BY: R.P.	REV: 1	DWG No.: 50LC120119