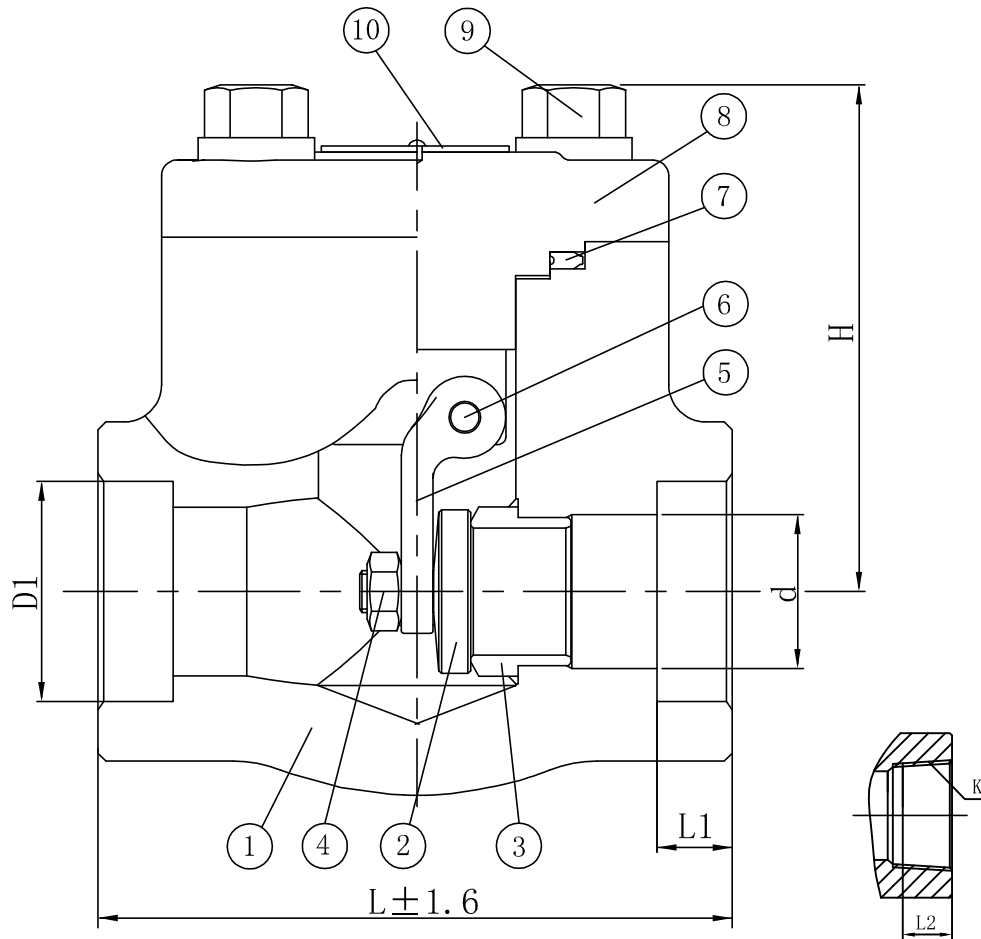


Class 800 Swing Check Valve A105N (API Trim 8) NACE



BILL OF MATERIALS			
NO.	PART NAME	MATERIAL	QTY.
1	BODY	A105N	1
2	DISC	A276 410	1
3	SEAT RING	A276 410+HF	1
4	BOLT	A194-2HM	1
5	ROCKER	A351 CF3	1
6	DOWEL	A276 304	1
7	GASKET	304+Graphite	1
8	COVER	A105N	1
9	COVER BOLT	A193 B7M	4
10	NAME PLATE	STAINLESS STEEL	1

Valve Size in	L	d	D1	L1	K	L2	H
1/2"	79	10	21.7	10	1/2"	15.5	62
3/4"	92	13	27.2	13	3/4"	16.5	63
1"	111	18	33.9	13	1"	19.5	78
1 1/4"	120	24	42.7	13	1 1/4"	21	82
1 1/2"	120	29	48.8	13	1 1/2"	21	110
2"	140	36.5	61.2	16	2"	23	120

NO.	DATE	DESCRIPTION	PRP'D	REV'D	APP'D	MARKING SYSTEM	MSS-SP-25	INSPECTION & TEST: API 598
						FACE TO FACE	API 602	SHELL HYDRO 2975PSI
						WALL THICKNESS	BS1868	SEAT AIR 80PSI
						DESIGNED	API 602	BACK SEAT HYDRO 2175PSI
								NACE MR 0175
Δ	1/1/12	ISSUED FOR PROPOSAL						

WILLIAM E. VALVE CORPORATION
 WWW.WILLIAMSVALVE.COM
 38-52 REVIEW AVENUE
 LONG ISLAND CITY, NY 11101
 TEL: 718-392-1660
 FAX: 718-729-5106

TITLE: FORGED STEEL BOLTED COVER SWING CHECK VALVE - CLASS 800 - API TRIM 8		
MATERIAL: A105N	UNITS: Inch, mm	
CLASS: 800	DATE: 01/01/12	SCALE: N.T.S.
SIZE: 1/2 - 2"	FIG. No.: F801XS-2N (sw. by thr. ends) F801SW-2N (sw. ends) F801T-2N (thr. ends)	
DRAWN BY: F.J.		
CHK'D & APR'D BY: R.P.	REV: 1	DWG No.: 50SC120137