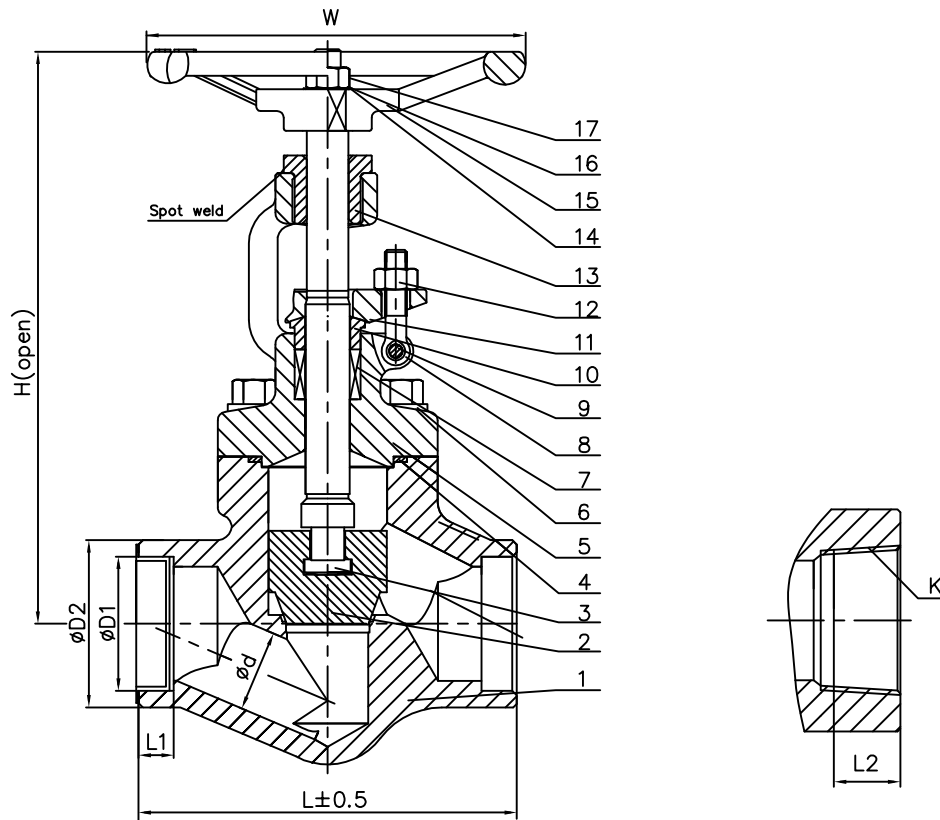


# Class 800 OS&Y BB Globe Valve A105N (API Trim 8) NACE

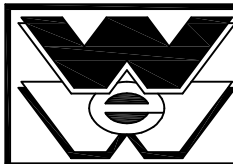


NO.	PART NAME	MATERIAL	QTY.
1	BODY	A105N + HF	1
2	DISC	A276-420	1
3	STEM	A276-410	1
4	Gasket	304 + GRAPHITE	1
5	BONNET	A105N	1
6	BONNET BOLT	A193-B7M	4
7	PACKING	GRAPHITE WITH CORROSION INHIBITOR & DIE FORMED RINGS	1 SET
8	EYE BOLT	A193 410	2
9	PIN	A276 410	2
10	PACKING GLANGE	A276 420	1
11	GLAND FLANGE	WCB	1
12	NUT	A194 2HM	2
13	STEM NUT	A276 410	1
14	NAMEPLATE	STAINLESS STEEL	1
15	HAND WHEEL	A197	1
16	WASHER	A276 410	1
17	HAND WHEEL NUT	A108 1020	1

Valve Size in	L	d	W	D2	L1	D1	L2	K	H
1/2	79	Ø 10	Ø100	Ø35	10	Ø 21.7	15.5	1/2	166
3/4	92	Ø 13	Ø100	Ø42	13	Ø 27.2	16.5	3/4	175
1	111	Ø 18	Ø125	Ø51	13	Ø 33.9	19.5	1	206
1 1/4	120	Ø 22	Ø160	Ø60	13	Ø 42.7	21	1 1/4	228
1 1/2	152	Ø 30	Ø160	Ø64	13	Ø 48.8	21	1 1/2	262
2	172	Ø 36	Ø180	Ø80	16	Ø 61.2	23	2	300

NO.	DATE	DESCRIPTION	PRP'D	REV'D	APP'D	MARKING SYSTEM	MSS-SP-25	INSPECTION & TEST: API 598
						FACE TO FACE	API 602	SHELL HYDRO 2975PSI
						WALL THICKNESS	BS1868	SEAT AIR 80PSI
						DESIGNED	API 602	BACK SEAT HYDRO 2175PSI
								NACE MR 0175

WWW.WILLIAMSVALVE.COM



**WILLIAMS**  
VALVE CORPORATION

38-52 REVIEW AVENUE  
LONG ISLAND CITY, NY 11101

TEL: 718-392-1660  
FAX: 718-729-5106

**TITLE:** FORGED STEEL BOLTED BONNET  
GLOBE VALVE - CLASS 800 - API TRIM 8

**MATERIAL:** A105N      **UNITS:** Inch, mm

**CLASS:** 800      **DATE:** 01/01/12      **SCALE:** N.T.S.

**SIZE:** 1/2 - 2"      **FIG. No.:**  
F802T-XS-2N (sw. by thr. ends)  
F802SW-2N (sw. ends)  
F802T-2N (thr. ends)

**DRAWN BY:** F.J.

**CHK'D & APR'D BY:** R.P.      **REV:** 1      **DWG No.:** 50GL120083