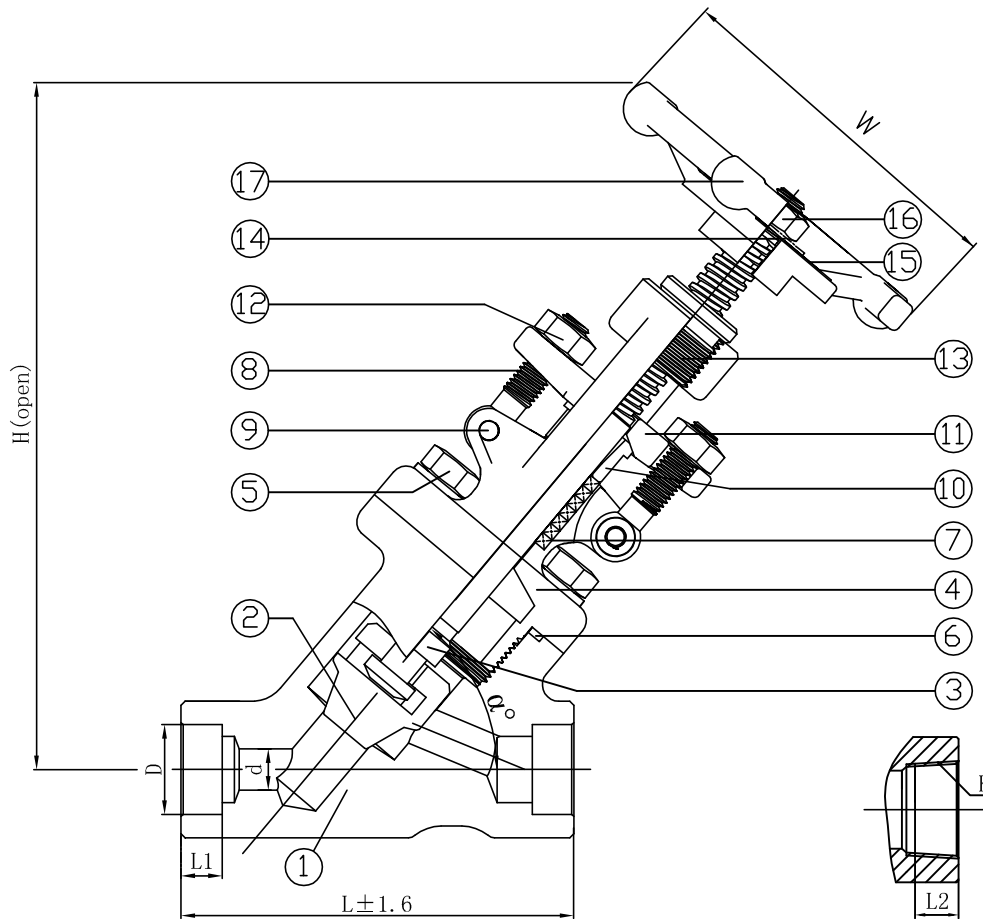


# Class 800 OS&Y Bolted Bonnet Y Pattern Globe Valve A105N (API Trim 8) NACE



NO.	PART NAME	A105N MATERIAL	QTY.
1	BODY	A105N+HF	1
2	DISC	A276-410	1
3	STEM	A276-410	1
4	BONNET	A105N	1
5	BONNET BOLT	A193 B7M	2
6	GASKET	304 + GRAPHITE	1
7	PACKING	GRAPHITE WITH CORROSION INHIBITOR & DIE FORMED RINGS	1 SET
8	GLAND BOLT	A193 B7M	2
9	GLAND BOLT PIN	A276 410	2
10	PACKING FLANGE	A276 420	1
11	GLAND FLANGE	WCB	1
12	NUT	A194 2HM	2
13	STEM NUT	A276 410	1
14	WASHER	A276 410	1
15	NAMEPLATE	STAINLESS STEEL	1
16	HAND WHEEL NUT	A108 1020	1
17	HAND WHEEL	A197	1

VALVE SIZE	L	d	D	L1	α°	H	W	K	L2
15 1/2"	98	ø10	ø21.8	10	55°	240	ø100	1/2"	15.5
20 3/4"	98	ø13	ø27.2	13	55°	240	ø100	3/4"	16.5
25 1"	120	ø18	ø33.9	13	55°	290	ø125	1"	19.5
32 1 1/4"	140	ø23	ø42.7	13	60°	302	ø160	1 1/4"	21
40 1 1/2"	140	ø29	ø48.8	13	60°	368	ø160	1 1/2"	21
50 2"	170	ø35	ø61.2	16	45°	370	ø180	2"	23

NO.	DATE	DESCRIPTION	PRP'D	REV'D	APP'D
Δ	1/1/12	ISSUED FOR PROPOSAL			

MARKING SYSTEM	MSS-SP-25	INSPECTION & TEST: API 598
FACE TO FACE	API 602	SHELL HYDRO 2975PSI
WALL THICKNESS	BS1868	SEAT AIR 80PSI
DESIGNED	API 602	BACK SEAT HYDRO 2175PSI

NACE MR 0175

**WILLIAM E. WILLIAMS VALVE CORPORATION**  
 WWW.WILLIAMSVALVE.COM  
 38-52 REVIEW AVENUE  
 LONG ISLAND CITY, NY 11101  
 TEL: 718-392-1660  
 FAX: 718-729-5106

**TITLE: FORGED STEEL BOLTED BONNET Y PATTERN GLOBE VALVE - CLASS 800 - API TRIM 8**

MATERIAL: A105N      UNITS: Inch, mm  
 CLASS: 800      DATE: 01/01/12      SCALE: N.T.S.  
 SIZE: 1/2 - 2"      FIG. No.: F802YTXS-2N (sw. by thr. ends)  
 DRAWN BY: F.J.      F802YSW-2N (sw. ends)  
 F802YT-2N (thr. ends)  
 CHK'D & APR'D BY: R.P.      REV: 1      DWG No.: 50YGL120101