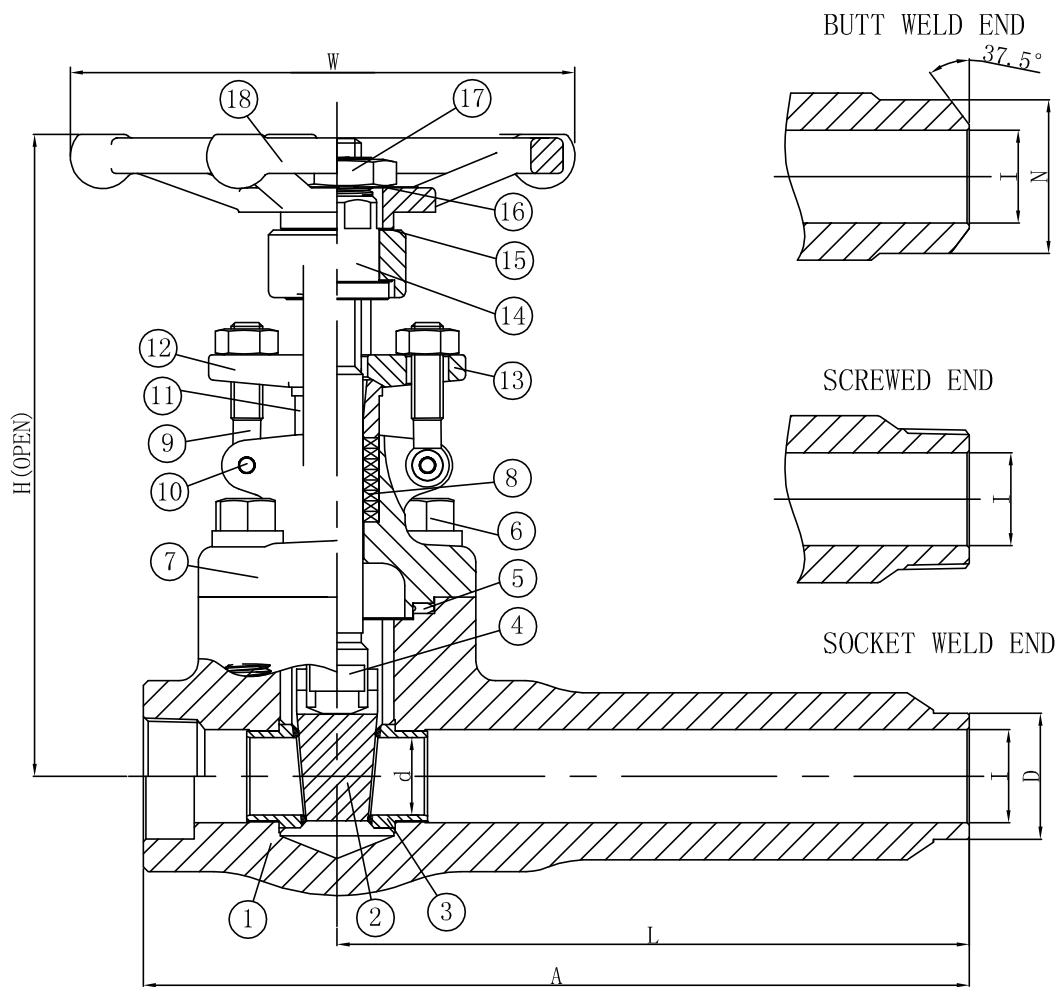


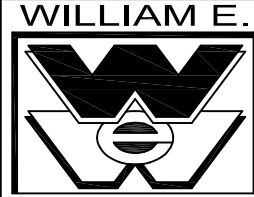
# Class 800 OS&Y BB Extended Body Gate Valve A105N (API Trim 8) NACE



BILL OF MATERIALS			
NO.	PART NAME	QTY	MATERIALS
1	Body	1	A105N
2	Disc	1	A276-420
3	Seat ring	2	A276-410+HF
4	Stem	1	A276-410
5	Gasket	1	F304+Graphite
6	Bonnet Bolt	4	A193-B7M
7	Bonnet	1	A105N
8	Packing	1Set	GRAPHITE WITH CORROSION INHIBITOR AND DIE FORMED RINGS
9	Gland Bolt	2	A193-410
10	Gland Bolt Pin	2	A276-410
11	Packing Flange	1	A276-420
12	Gland Flange	1	WCB
13	Nut	2	A194-2HM
14	Stem Nut	1	A276-410
15	Washer	2	A276-410
16	Nameplate	1	STAINLESS STEEL
17	Hand Wheel Nut	1	A108-1025
18	Hand Wheel	1	A197

VALVE SIZE		A	L	d	I	D	N	H	W
DN	IN								
15	1/2"	149.5	110	Ø10.0	14.0	21.3	23.0	153.0	100.0
20	3/4"	156.0	110	Ø13.0	18.0	26.7	28.0	157.0	100.0
25	1"	175.5	120	Ø18.0	23.0	33.4	36.0	184.0	120.0
40	1 1/2"	200.0	140	Ø29.0	34.5	48.3	52.0	241.0	160.0
50	2"	220.0	150	Ø36.5	43.0	60.3	62.0	272.0	180.0

NO.	DATE	DESCRIPTION	PRP'D	REV'D	APP'D	MARKING SYSTEM	MSS-SP-25	INSPECTION & TEST: API 598
						FACE TO FACE	API 602	SHELL HYDRO 2975PSI
						WALL THICKNESS	BS1868	SEAT AIR 80PSI
						DESIGNED	API 602	BACK SEAT HYDRO 2175PSI
								NACE MR 0175



**WILLIAM E. WILLIAMS**  
VALVE CORPORATION

38-52 REVIEW AVENUE  
LONG ISLAND CITY, NY 11101

TEL: 718-392-1660  
FAX: 718-729-5106

WWW.WILLIAMSVALVE.COM

**TITLE: FORGED STEEL BOLTED BONNET EXTENDED BODY GATE VALVE - CLASS 800 - API TRIM 8**

MATERIAL: A105N	UNITS: Inch, mm
CLASS: 800	DATE: 09/07/12
SCALE: N.T.S.	FIG. No.:
SIZE: 1/2 - 2"	F80TMT-2N EX
DRAWN BY: F.J.	
CHK'D & APR'D BY: R.P.	REV: 1
DWG No.:	50GA120275