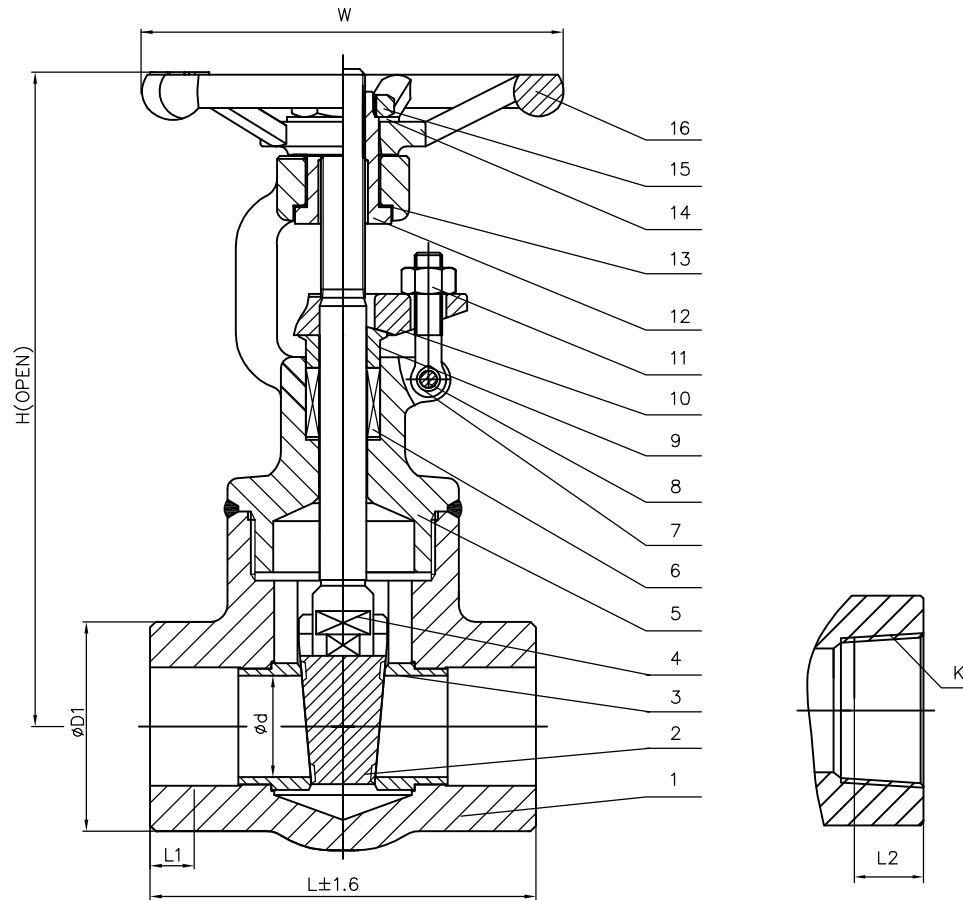


Class 800 OS&Y Welded Bonnet Gate Valve A105N (API Trim 8) NACE



ITEM	PART NAME	QTY	MATERIAL
1	Body	1	A105N
2	Disc	1	A276-410
3	Seat ring	2	A276-410+HF
4	Stem	1	A276-410
5	Bonnet	1	A105N
6	Packing	1 SET	GRAPHITE WITH CORROSION INHIBITOR AND DIE FORMED RINGS
7	Eye bolt	2	A193-B7M
8	Pin	2	A276-410
9	Packing gland	2	A276-410
10	Gland Flange	1	WCB
11	Nut	2	A194-2HM
12	Stem Nut	1	A276-410
13	Washer	2	A276-410
14	Nameplate	1	STAINLESS STEEL
15	Hand Wheel Nut	1	A108-1025
16	Hand Wheel	1	A197

SIZE		d	L	W	D1	H(OPEN)	K	L1	L2
DN	in								
15	1/2	ø13	92	ø100	ø42	169	1/2	10	15.5
20	3/4	ø18	111	ø125	ø51	193	3/4	13	16.5
25	1	ø24	120	ø160	ø60	230	1	13	19.5
32	1 1/4	ø29	120	ø160	ø64	246	1 1/4	13	21
40	1 1/2	ø36.5	140	ø180	ø80	283	1 1/2	13	21
50	2	ø49	178	ø200	ø90	332	2	16	23

WILLIAM E. VALVE CORPORATION
 WWW.WILLIAMSVALVE.COM
 38-52 REVIEW AVENUE
 LONG ISLAND CITY, NY 11101
 TEL: 718-392-1660
 FAX: 718-729-5106

TITLE: FORGED STEEL WELDED BONNET
 GATE VALVE - CLASS 800 - API TRIM 8 - FULL PORT

MATERIAL: A105N	UNITS: Inch, mm
CLASS: 800	DATE: 01/01/12
SCALE: N.T.S.	FIG. No.: F87XS-2N WB (sw. by thr. ends) F87SW-2N WB (sw. ends) F87T-2N WB (thr. ends)
SIZE: 1/2 - 2"	DRAWN BY: F.J.
CHK'D & APR'D BY: R.P.	REV: 1
DWG No.: 50GA120258	

NO.	DATE	DESCRIPTION	PRP'D	REV'D	APP'D	MARKING SYSTEM	MSS-SP-25	INSPECTION & TEST: API 598
						FACE TO FACE	API 602	SHELL HYDRO 2975PSI
						WALL THICKNESS	BS1868	SEAT AIR 80PSI
						DESIGNED	API 602	BACK SEAT HYDRO 2175PSI
								NACE MR 0175

1/1/12 ISSUED FOR PROPOSAL