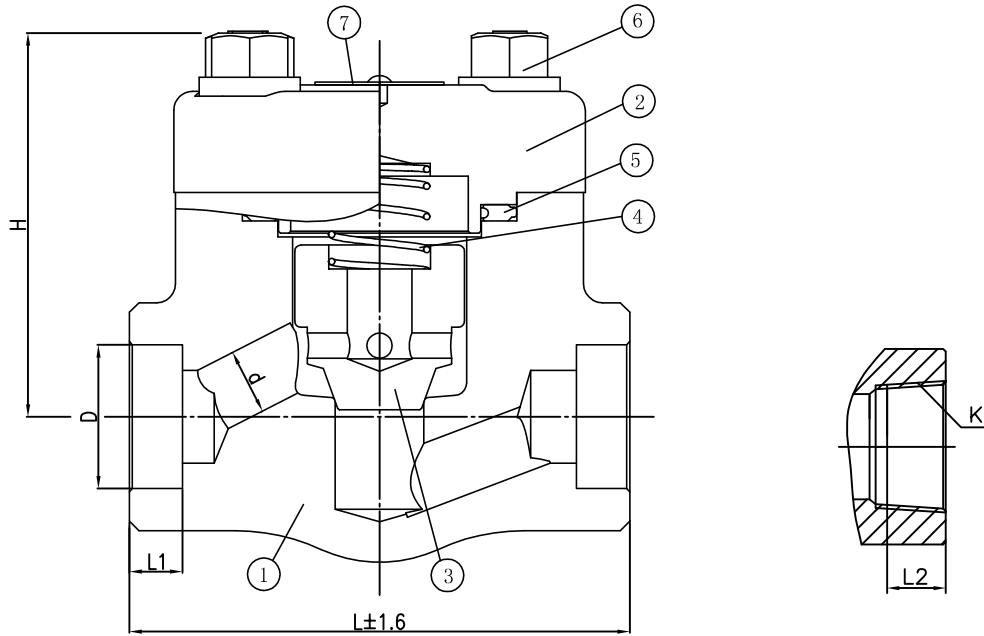


# Class 1500 BB Lift Check Valve F316 (API Trim 12) NACE



## BILL OF MATERIALS

ITEM	PART NAME	MATERIAL	QTY
1	BODY	A182 F316 + HF	1
2	COVER	A182 F316	1
3	DISC	A276-316	1
4	SPRING	316 SS	1
5	GASKET	F304+Graphite	1
6	BONNET BOLT	A193-B8M	4
7	NAME PLATE	STAINLESS STEEL	1

VALVE SIZE		L	d	D	L1	H	K	L2
DN	IN							
15	1/2"	111	Ø10	Ø21.8	10	98	1/2"	Ø15.5
20	3/4"	111	Ø14	Ø27.2	13	98	3/4"	Ø16.5
25	1"	120	Ø19	Ø33.9	13	104	1"	Ø19.5
32	1 1/4"	152	Ø25	Ø42.7	13	120	1 1/4"	Ø21
40	1 1/2"	172	Ø29	Ø48.8	13	140	1 1/2"	Ø21
50	2"	220	Ø35	Ø61.2	16	158	2"	Ø23

WILLIAM E. WWW.WILLIAMSVALVE.COM



**WILLIAMS**  
VALVE CORPORATION

38-52 REVIEW AVENUE  
LONG ISLAND CITY, NY 11101

TEL: 718-392-1660  
FAX: 718-729-5106

TITLE: FORGED STAINLESS STEEL BOLTED BONNET  
LIFT CHECK VALVE - CLASS 1500 - API TRIM 12

MATERIAL: F316 UNITS: Inch, mm

CLASS: 1500 DATE: 01/01/12 SCALE: N.T.S.

SIZE: 1/2 - 2" FIG. No.:  
F1501LTXS-62N 316 (sw. by thr. ends)  
F1501LSW-62N 316 (sw. ends)  
F1501LT-62N 316 (thr. ends)

DRAWN BY: F.J.

CHK'D & APR'D BY: R.P. REV: 1 DWG No.: 50LC120215

NO.	DATE	DESCRIPTION	PRP'D	REV'D	APP'D	MARKING SYSTEM	MSS-SP-25	INSPECTION & TEST: API 598
						FACE TO FACE	API 602	SHELL HYDRO 5400PSI
						WALL THICKNESS	BS1868	SEAT AIR 80PSI
						DESIGNED	API 602	BACK SEAT HYDRO 3975PSI
								NACE MR 0175

1/1/12 ISSUED FOR PROPOSAL