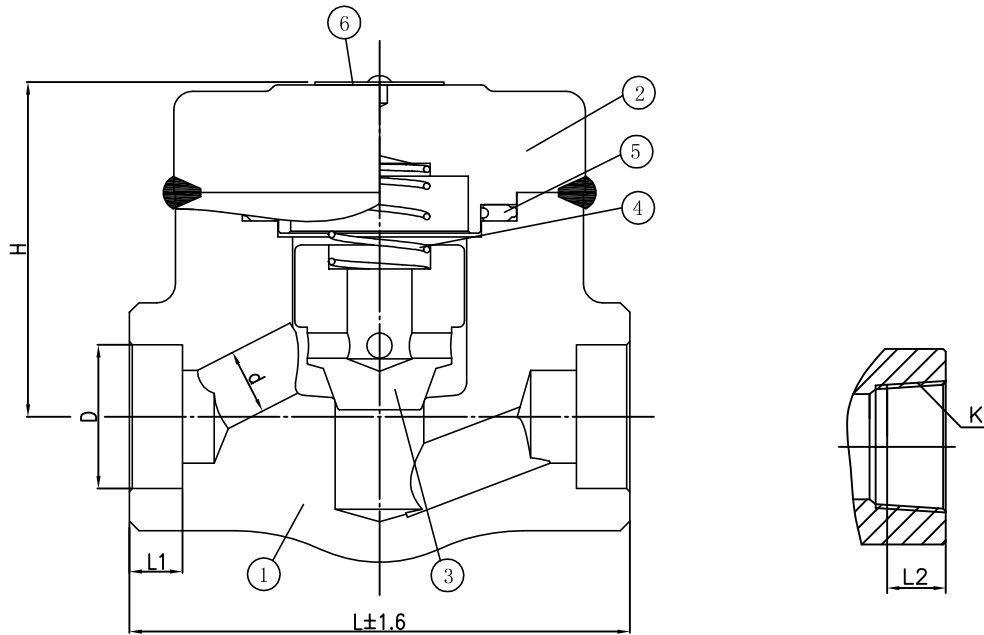


Class 1500 Welded Bonnet Lift Check Valve F316 (API Trim 12) NACE

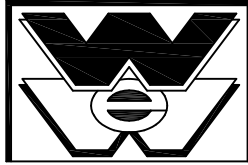


BILL OF MATERIALS

| ITEM | PART NAME | MATERIAL | QTY |
|------|------------|-----------------|-----|
| 1 | BODY | A182 F316 + HF | 1 |
| 2 | COVER | A182 F316 | 1 |
| 3 | DISC | A276-316 | 1 |
| 4 | SPRING | 316 SS | 1 |
| 5 | GASKET | F304+Graphite | 1 |
| 6 | NAME PLATE | STAINLESS STEEL | 1 |

| VALVE SIZE | | L | d | D | L1 | H | K | L2 |
|------------|--------|-----|-----|-------|----|-----|--------|-------|
| DN | IN | | | | | | | |
| 15 | 1/2" | 111 | Ø10 | Ø21.8 | 10 | 98 | 1/2" | Ø15.5 |
| 20 | 3/4" | 111 | Ø14 | Ø27.2 | 13 | 98 | 3/4" | Ø16.5 |
| 25 | 1" | 120 | Ø19 | Ø33.9 | 13 | 104 | 1" | Ø19.5 |
| 32 | 1 1/4" | 152 | Ø25 | Ø42.7 | 13 | 120 | 1 1/4" | Ø21 |
| 40 | 1 1/2" | 172 | Ø29 | Ø48.8 | 13 | 140 | 1 1/2" | Ø21 |
| 50 | 2" | 220 | Ø35 | Ø61.2 | 16 | 158 | 2" | Ø23 |

| | | | | | | MARKING SYSTEM | MSS-SP-25 | INSPECTION & TEST: API 598 | | |
|-----|--------|---------------------|-------|-------|-------|----------------|-----------|----------------------------|-------|---------|
| | | | | | | FACE TO FACE | API 602 | SHELL | HYDRO | 5400PSI |
| | | | | | | WALL THICKNESS | BS1868 | SEAT | AIR | 80PSI |
| | | | | | | DESIGNED | API 602 | BACK SEAT | HYDRO | 3975PSI |
| | | | | | | | | NACE MR 0175 | | |
| Δ | 1/1/12 | ISSUED FOR PROPOSAL | | | | | | | | |
| NO. | DATE | DESCRIPTION | PRP'D | REV'D | APP'D | | | | | |



WILLIAMS
VALVE CORPORATION

38-52 REVIEW AVENUE
LONG ISLAND CITY, NY 11101

WWW.WILLIAMSVALVE.COM

TEL: 718-392-1660
FAX: 718-729-5106

TITLE: FORGED STAINLESS STEEL WELDED BONNET LIFT CHECK VALVE - CLASS 1500 - API TRIM 12

| | | | |
|-----------------------|-----------------------|---|----------------------------|
| MATERIAL: F316 | | UNITS: Inch, mm | |
| CLASS: 1500 | DATE: 01/01/12 | SCALE: N.T.S. | |
| SIZE: 1/2 - 2" | | FIG. No.: F1501LTXS-62N 316 WB (sw. by thr. ends) F1501LSW-62N 316 WB (sw. ends) F1501LT-62N 316 WB (thr. ends) | |
| DRAWN BY: F.J. | | CHK'D & APR'D BY: R.P. | |
| | | REV: 1 | DWG No.: 50LC120224 |