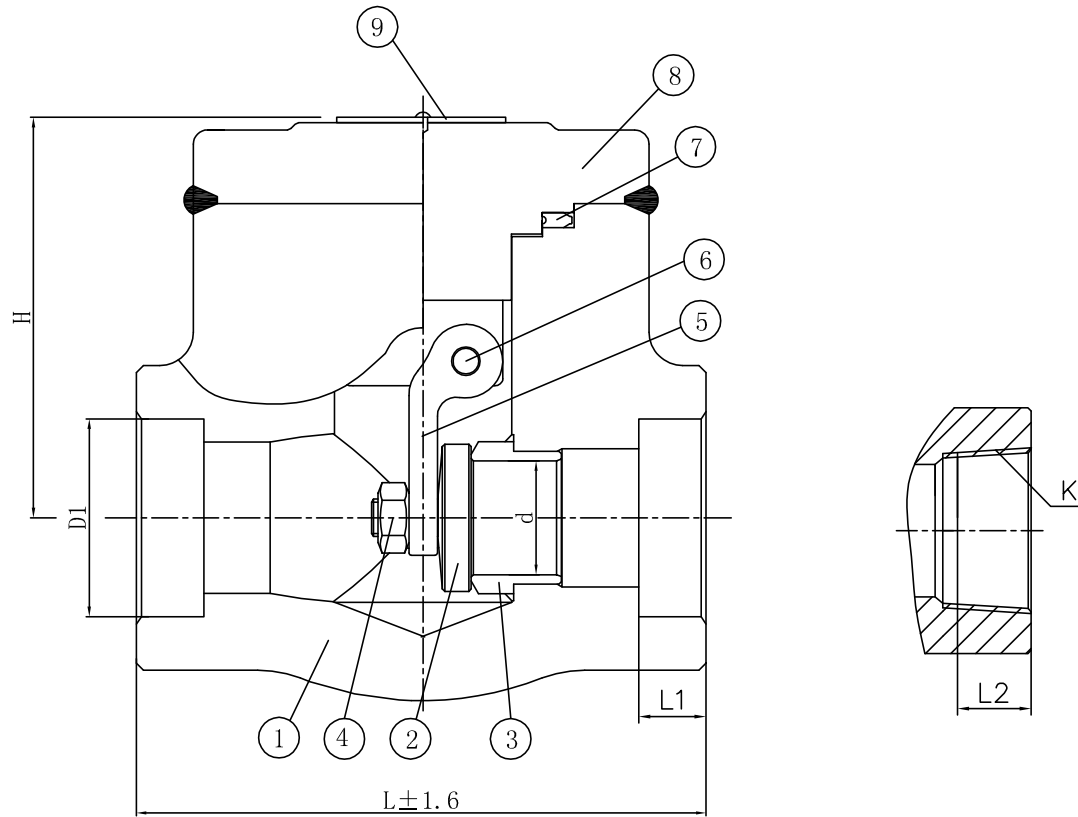


Class 1500 Welded Bonnet Swing Check Valve F316 (API Trim 12) NACE



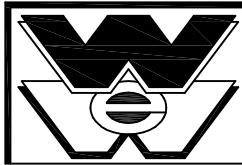
BILL OF MATERIALS			
NO.	PART NAME	MATERIAL	QTY
1	BODY	A182-F316	1
2	DISC	A276-F316	1
3	SEAT RING	A276-F316+HF	1
4	NUT	A194-8M	1
5	ROCKER	F316	1
6	DOWEL	A276-F316	1
7	GASKET	304+Graphite	1
8	BONNET	F316	1
9	NAME PLATE	STAINLESS STEEL	1

VALVE SIZE		L	d	D1	L1	L2	K	H
DN	IN							
15	1/2"	111	φ13	φ21.8	10	15.5	1/2"	79
20	3/4"	111	φ13	φ27.2	13	16.5	3/4"	79
25	1"	120	φ18	φ33.9	13	19.5	1"	97
32	1 1/4"	120	φ24	φ42.7	13	21	1 1/4"	105
40	1 1/2"	140	φ29	φ48.8	13	21	1 1/2"	120
50	2"	178	φ36.5	φ61.2	16	23	2"	140

NO.	DATE	DESCRIPTION	PRP'D	REV'D	APP'D
Δ	1/1/12	ISSUED FOR PROPOSAL			

MARKING SYSTEM	MSS-SP-25	INSPECTION & TEST: API 598		
FACE TO FACE	API 602	SHELL	HYDRO	5400PSI
WALL THICKNESS	BS1868	SEAT	AIR	80PSI
DESIGNED	API 602	BACK SEAT	HYDRO	3975PSI

WILLIAM E.
WWW.WILLIAMSVALVE.COM



WILLIAMS

VALVE CORPORATION

38-52 REVIEW AVENUE
LONG ISLAND CITY, NY 11101
TEL: 718-392-1660
FAX: 718-729-5106

TITLE: FORGED STAINLESS STEEL WELDED BONNET SWING CHECK VALVE - CLASS 1500 - API TRIM 12		
MATERIAL: F316	UNITS: Inch, mm	
CLASS: 1500	DATE: 01/01/12	SCALE: N.T.S.
SIZE: 1/2 - 2"	DRAWN BY: F.J.	
CHK'D & APR'D BY: R.P.	REV: 1	DWG No.: 50SC120242

FIG. No.:
 FS1501TXS-62N 316 WB (sw. by thr. ends)
 FS1501SW-62N 316 WB (sw. ends)
 FS1501T-62N 316 WB (thr. ends)