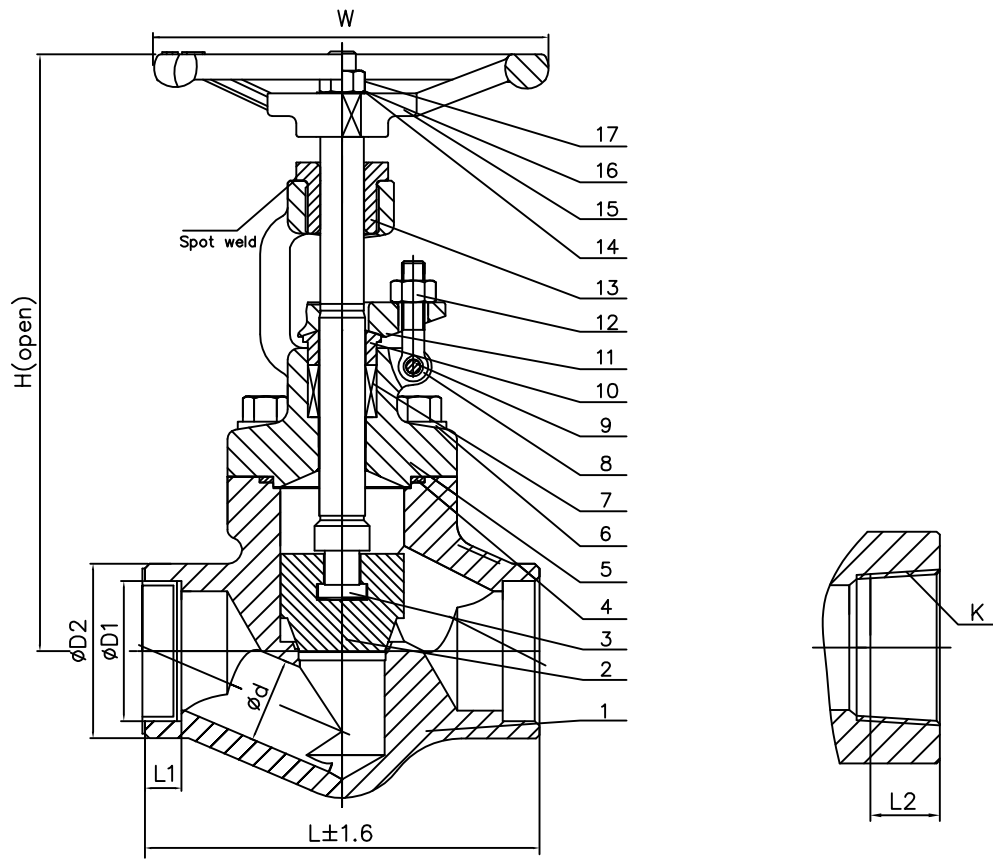


Class 1500 OS&Y BB Globe Valve F316 (API Trim 12) NACE



NO.	PART NAME	MATERIAL	QTY.
1	BODY	A182 F316 + HF	1
2	DISC	A276-F316	1
3	STEM	A276-F316	1
4	Gasket	F304 + GRAPHITE	1
5	BONNET	F316	1
6	BONNET BOLT	A193-B8M	4
7	PACKING	GRAPHITE WITH CORROSION INHIBITOR & DIE FORMED RINGS	1 SET
8	EYE BOLT	A193-B8M	2
9	PIN	A276-F316	2
10	PACKING GLANGE	A276-F316	1
11	GLAND FLANGE	F316	1
12	NUT	A194-8M	2
13	STEM NUT	A276 410	1
14	NAMEPLATE	STAINLESS STEEL	1
15	HAND WHEEL	A197	1
16	WASHER	A276 410	1
17	HAND WHEEL NUT	A108 1020	1

SIZE	DN	in	d	L	H	W	D2	D1	K	L1	L2
			15	1/2'	111	170	125	51	21.8	1/2"	10
20	3/4'	111	193	125	51	27.2	3/4"	13	16.5		
25	1'	120	230	160	60	33.9	1"	13	19.5		
32	1 1/4'	152	246	160	64	42.7	1 1/4"	13	21		
40	1 1/2'	172	283	180	80	48.8	1 1/2"	13	21		
50	2'	220	325	200	90	61.2	2"	16	23		

Δ	1/1/12	ISSUED FOR PROPOSAL								
NO.	DATE	DESCRIPTION	PRP'D	REV'D	APP'D					

WILLIAM E. VALVE CORPORATION
 WWW.WILLIAMSVALVE.COM
 38-52 REVIEW AVENUE
 LONG ISLAND CITY, NY 11101
 TEL: 718-392-1660
 FAX: 718-729-5106

WILLIAMS
 VALVE CORPORATION

TITLE: FORGED STAINLESS STEEL BOLTED BONNET
 GLOBE VALVE - CLASS 1500 - API TRIM 12

MATERIAL: F316 UNITS: Inch, mm
 CLASS: 1500 DATE: 01/01/12 SCALE: N.T.S.
 SIZE: 1/2 - 2"
 DRAWN BY: F.J. FIG. No.: FS1502TXS-62N 316 (sw. by thr. ends)
 FS1502SW-62N 316 (sw. ends)
 FS1502T-62N 316 (thr. ends)
 CHK'D & APR'D BY: R.P. REV: 1 DWG No.: 50GL120179

MARKING SYSTEM: MSS-SP-25 INSPECTION & TEST: API 598
 FACE TO FACE: API 602 SHELL HYDRO: 5400PSI
 WALL THICKNESS: BS1868 SEAT AIR: 80PSI
 DESIGNED: API 602 BACK SEAT HYDRO: 3975PSI
 NACE MR 0175