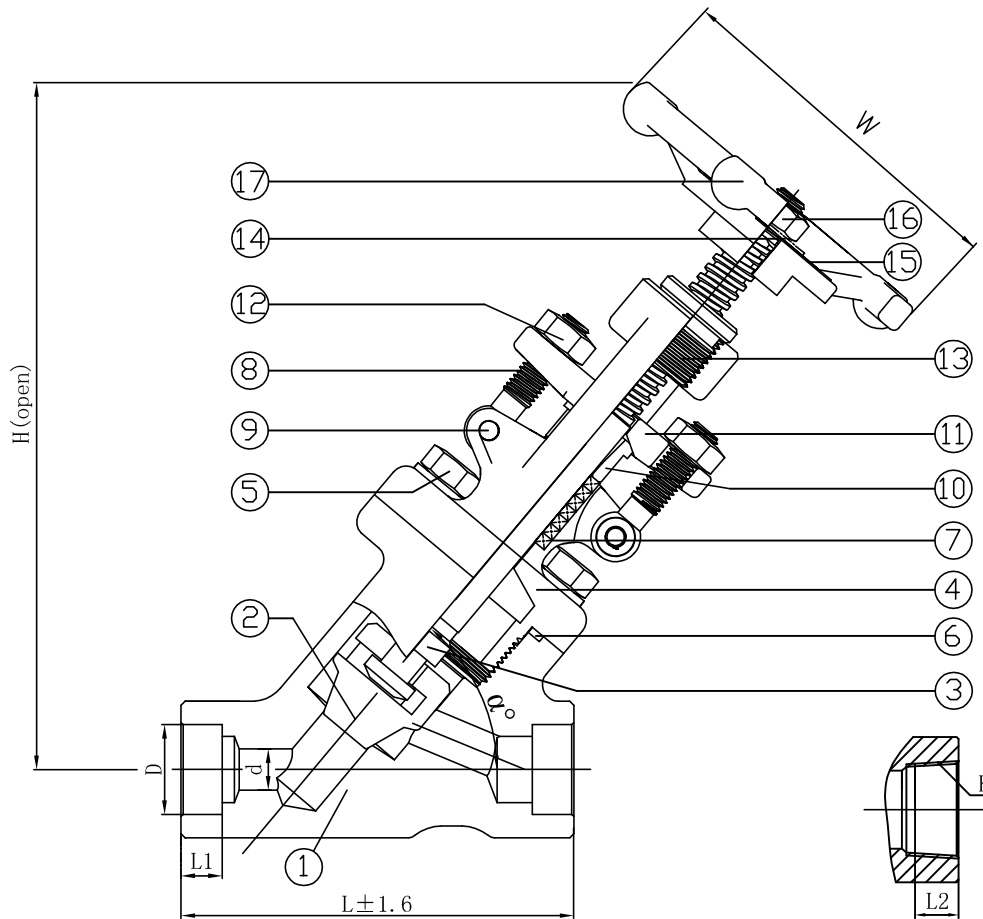


Class 1500 OS&Y BB Y Pattern Globe Valve F316 (API Trim 12) NACE



BILL OF MATERIALS			
NO.	PART NAME	MATERIAL	QTY.
1	BODY	A182-F316 + HF	1
2	DISC	A276-F316	1
3	STEM	A276-F316	1
4	BONNET	F316	1
5	BONNET BOLT	A193 B8M	2
6	GASKET	304 + GRAPHITE	1
7	PACKING	GRAPHITE WITH CORROSION INHIBITOR & DIE FORMED RINGS	1 SET
8	GLAND BOLT	A193 B8M	2
9	GLAND BOLT PIN	A276-F316	2
10	PACKING FLANGE	A276-F316	1
11	GLAND FLANGE	F316	1
12	NUT	A194 8M	2
13	STEM NUT	A276 410	1
14	WASHER	A276 410	1
15	NAMEPLATE	STAINLESS STEEL	1
16	HAND WHEEL NUT	A108 1020	1
17	HAND WHEEL	A197	1

VALVE SIZE		L	d	D	L1	α°	H	W	K	L2
DN	IN									
15	1/2"	120	$\phi 10$	$\phi 21.8$	10	55°	170	$\phi 125$	1/2"	15.5
20	3/4"	120	$\phi 13$	$\phi 27.2$	13	55°	195	$\phi 125$	3/4"	16.5
25	1"	140	$\phi 18$	$\phi 33.9$	13	55°	235	$\phi 160$	1"	19.5
32	1 1/4"	140	$\phi 23$	$\phi 42.7$	13	60°	278	$\phi 160$	1 1/4"	21
40	1 1/2"	170	$\phi 29$	$\phi 48.8$	13	60°	278	$\phi 180$	1 1/2"	21
50	2"	190	$\phi 35$	$\phi 61.2$	16	45°	310	$\phi 200$	2"	23

						MARKING SYSTEM	MSS-SP-25	INSPECTION & TEST: API 598
						FACE TO FACE	API 602	SHELL HYDRO 5400PSI
						WALL THICKNESS	BS1868	SEAT AIR 80PSI
						DESIGNED	API 602	BACK SEAT HYDRO 3975PSI
								NACE MR 0175
Δ	1/1/12	ISSUED FOR PROPOSAL						
NO.	DATE	DESCRIPTION	PRP'D	REV'D	APP'D			

WILLIAM E. WILLIAMS VALVE CORPORATION
 WWW.WILLIAMSVALVE.COM
 38-52 REVIEW AVENUE
 LONG ISLAND CITY, NY 11101
 TEL: 718-392-1660
 FAX: 718-729-5106

TITLE: FORGED STAINLESS STEEL BOLTED BONNET Y PATTERN GLOBE VALVE - CLASS 1500 - API TRIM 12

MATERIAL: F316 UNITS: Inch, mm
 CLASS: 1500 DATE: 01/01/12 SCALE: N.T.S.
 SIZE: 1/2 - 2"
 DRAWN BY: F.J. FIG. No.: F1502YXS-62N 316 (sw. by thr. ends)
 F1502YSW-62N 316 (sw. ends)
 F1502YT-62N 316 (thr. ends)
 CHK'D & APR'D BY: R.P. REV: 1 DWG No.: 50YGL120197