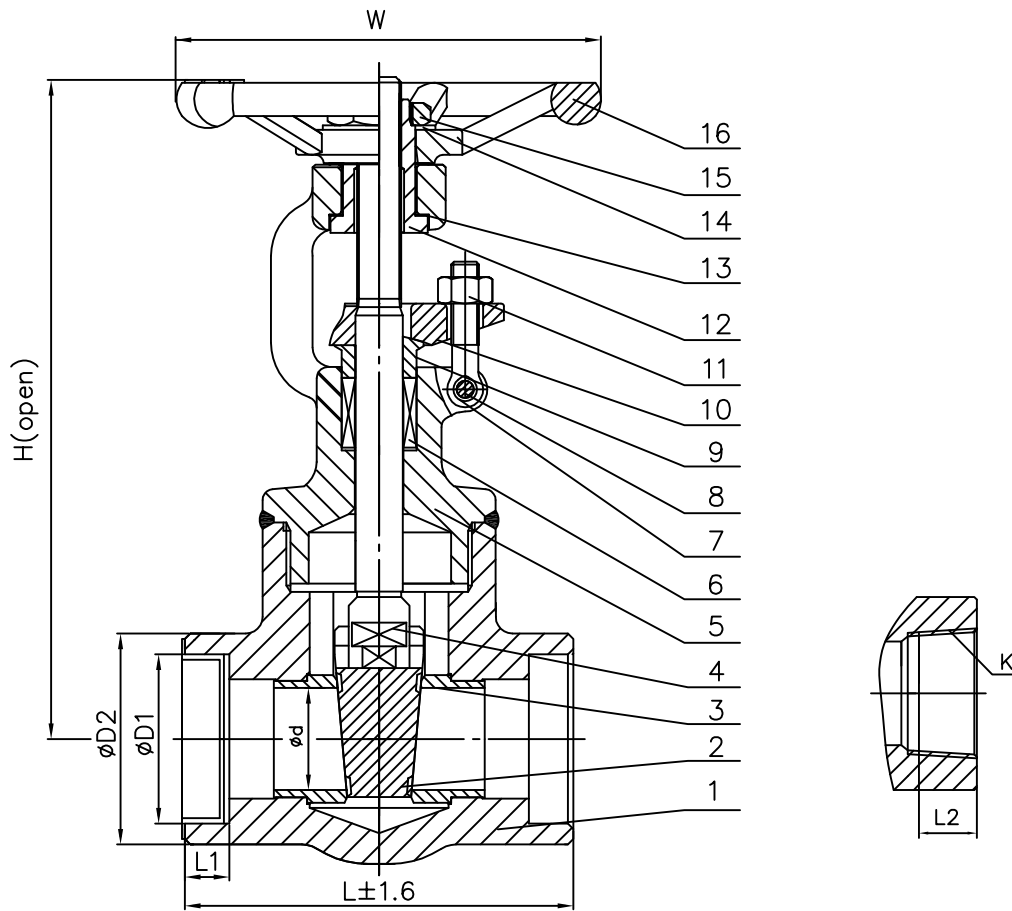


# Class 1500 OS&Y Welded Bonnet Gate Valve F316 (API Trim 12) NACE



Valve Size		L	d	H (open)	W	D2	L1	D1	K	L2
DN	in									
15	1/2"	111	ø10	170	ø125	ø51	10	ø21.7	1/2"	15.5
20	3/4"	111	ø13	193	ø125	ø51	13	ø27.1	3/4"	16.5
25	1"	111	ø18	230	ø160	ø60	13	ø33.8	1"	19.5
32	1 1/4"	120	ø24	246	ø160	ø64	13	ø42.6	1 1/4"	21
40	1 1/2"	120	ø29	283	ø180	ø80	13	ø48.6	1 1/2"	21
50	2"	140	ø36	325	ø200	ø90	16	ø61.1	2"	23

BILL OF MATERIALS			
NO.	PART NAME	MATERIAL	QTY
1	Body	A182 F316	1
2	Disc	A276-F316	1
3	Seat ring	A276-F316 + HF	2
4	Stem	A276-F316	1
5	Bonnet	F316	1
6	Packing	GRAPHITE WITH CORROSION INHIBITOR AND DIE FORMED RINGS	1Set
7	Gland Bolt	A193-B8M	2
8	Gland Bolt Pin	A276-F316	2
9	Packing Flange	A276-F316	1
10	Gland Flange	F316	1
11	Nut	A194-8M	2
12	Stem Nut	A276-410	1
13	Washer	A276-410	2
14	Nameplate	STAINLESS STEEL	1
15	Hand Wheel Nut	A194-8MA	1
16	Hand Wheel	A197	1

WILLIAM E. VALVE CORPORATION  
 WWW.WILLIAMSVALVE.COM  
 38-52 REVIEW AVENUE  
 LONG ISLAND CITY, NY 11101  
 TEL: 718-392-1660  
 FAX: 718-729-5106

TITLE: FORGED STAINLESS STEEL WELDED BONNET GATE VALVE - CLASS 1500 - API TRIM 12

MATERIAL: F316 UNITS: Inch, mm

CLASS: 1500 DATE: 01/01/12 SCALE: N.T.S.

SIZE: 1/2 - 2" FIG. No.:

DRAWN BY: F.J. FS150TXS-62N 316 WB (sw. by thr. ends)  
 FS150SW-62N 316 WB (sw. ends)  
 FS150T-62N 316 WB (thr. ends)

CHK'D & APR'D BY: R.P. REV: 1 DWG No.: 50GA120170

NO.	DATE	DESCRIPTION	PRP'D	REV'D	APP'D	MARKING SYSTEM	MSS-SP-25	INSPECTION & TEST: API 598
						FACE TO FACE	API 602	SHELL HYDRO 5400PSI
						WALL THICKNESS	BS1868	SEAT AIR 80PSI
						DESIGNED	API 602	BACK SEAT HYDRO 3975PSI
								NACE MR 0175

Δ	1/1/12	ISSUED FOR PROPOSAL			
---	--------	---------------------	--	--	--