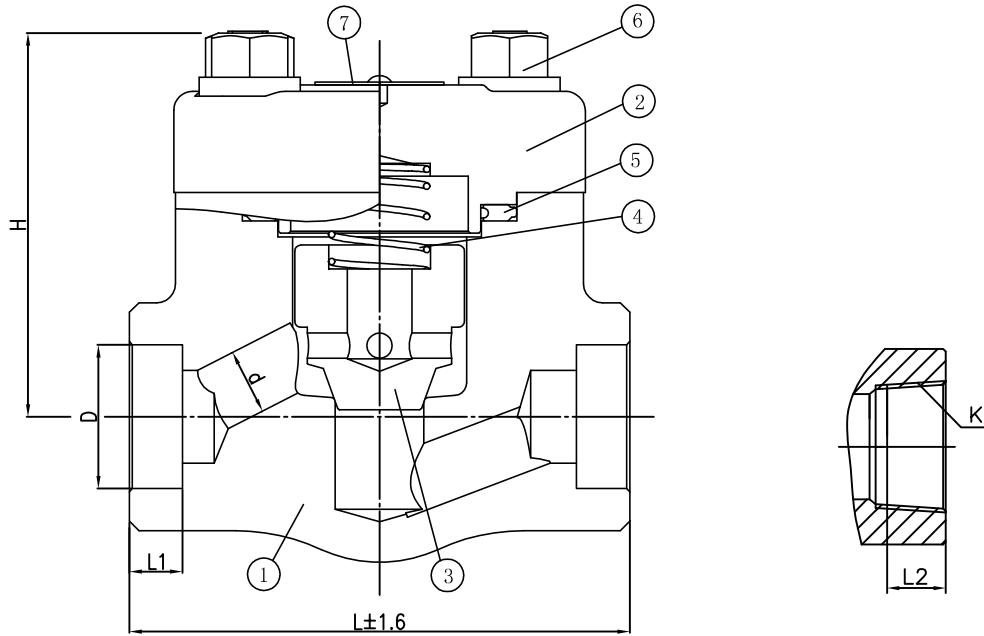


Class 800 BB Lift Check Valve F316 (API Trim 12) NACE



BILL OF MATERIALS

ITEM	PART NAME	MATERIAL	QTY
1	BODY	A182 F316 + HF	1
2	COVER	A182 F316	1
3	PISTON	A276-316	1
4	SPRING	316 SS	1
5	GASKET	F304+Graphite	1
6	BONNET BOLT	A193-B8M	4
7	NAME PLATE	STAINLESS STEEL	1

VALVE SIZE		L	d	D	L1	H	K	L2
DN	IN							
15	1/2"	79	Ø10	Ø21.8	10	62	1/2"	Ø15.5
20	3/4"	92	Ø13	Ø27.2	13	63	3/4"	Ø16.5
25	1"	111	Ø18	Ø33.9	13	78	1"	Ø19.5
32	1 1/4"	120	Ø23	Ø42.7	13	82	1 1/4"	Ø21
40	1 1/2"	152	Ø29	Ø48.8	13	102	1 1/2"	Ø21
50	2"	172	Ø36	Ø61.2	16	172	2"	Ø23

						MARKING SYSTEM	MSS-SP-25	INSPECTION & TEST: API 598		
						FACE TO FACE	API 602	SHELL	HYDRO	3046PSI
						WALL THICKNESS	BS1868	SEAT	AIR	80PSI
						DESIGNED	API 602	BACK SEAT	HYDRO	2234PSI
								NACE MR 0175		
Δ	1/1/12	ISSUED FOR PROPOSAL								
NO.	DATE	DESCRIPTION	PRP'D	REV'D	APP'D					

WILLIAM E. WILLIAMS
VALVE CORPORATION

WWW.WILLIAMSVALVE.COM

38-52 REVIEW AVENUE
LONG ISLAND CITY, NY 11101

TEL: 718-392-1660
FAX: 718-729-5106

TITLE: FORGED STAINLESS STEEL BOLTED BONNET
LIFT CHECK VALVE - CLASS 800 - API TRIM 12

MATERIAL: A182 F316 **UNITS:** Inch, mm

CLASS: 800 **DATE:** 01/01/12 **SCALE:** N.T.S.

SIZE: 1/2 - 2" **FIG. No.:**
FS801LTXS-62N 316 (sw. by thr. ends)
FSW801LSW-62N 316 (sw. ends)
FS801LT-62N 316 (thr. ends)

DRAWN BY: F.J.

CHK'D & APR'D BY: R.P. **REV:** 1 **DWG No.:** 50LC120125