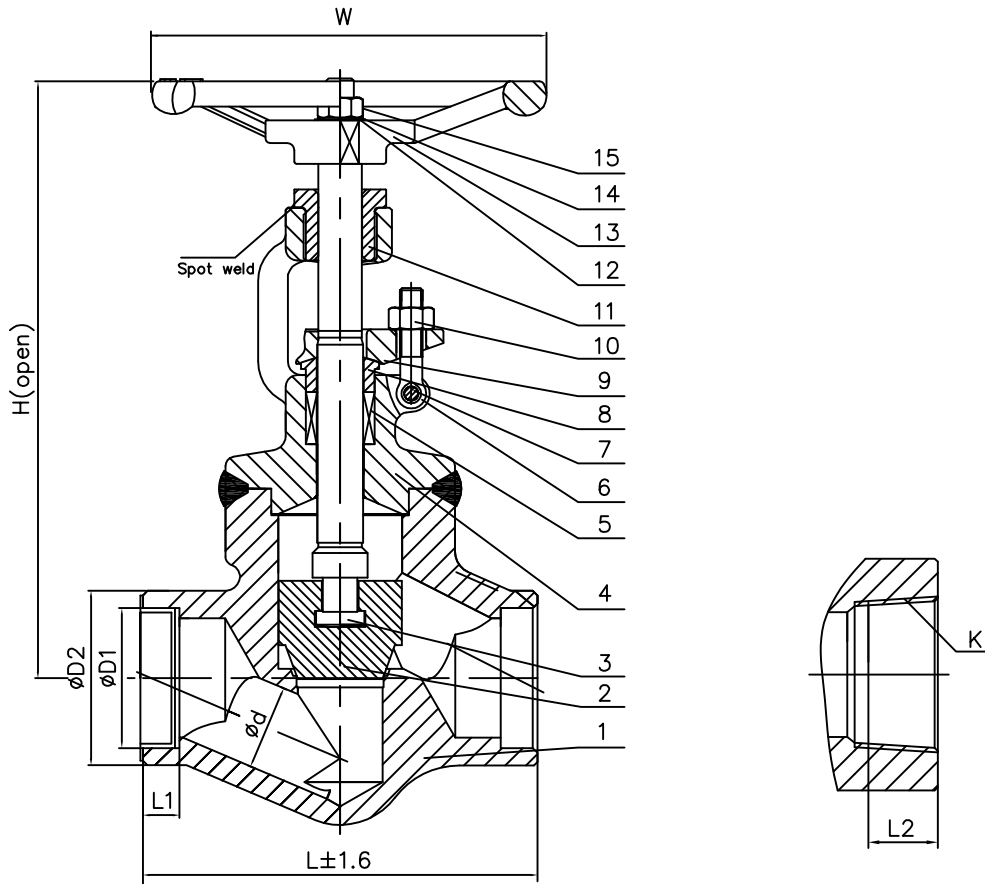


Class 800 OS&Y Welded Bonnet Globe Valve F316 (API Trim 12) NACE



NO.	PART NAME	MATERIAL	QTY.
1	BODY	A182 F316 + HF	1
2	DISC	A276-F316	1
3	STEM	A276-F316	1
4	BONNET	F316	1
5	PACKING	GRAPHITE WITH CORROSION INHIBITOR & DIE FORMED RINGS	1 SET
6	EYE BOLT	A193-B8M	2
7	PIN	A276-F316	2
8	PACKING GLANGE	A276-F316	1
9	GLAND FLANGE	F316	1
10	NUT	A194-8M	2
11	STEM NUT	A276 410	1
12	NAMEPLATE	STAINLESS STEEL	1
13	HAND WHEEL	A197	1
14	WASHER	A276 410	1
15	HAND WHEEL NUT	A108 1020	1

Valve Size in	L	d	W	D2	L1	D1	L2	K	H
1/2	79	ø10	ø100	ø35	10	ø21.7	15.5	1/2	166
3/4	92	ø13	ø100	ø42	13	ø27.2	16.5	3/4	175
1	111	ø18	ø125	ø51	13	ø33.9	19.5	1	206
1 1/4	120	ø22	ø160	ø60	13	ø42.7	21	1 1/4	228
1 1/2	152	ø30	ø160	ø64	13	ø48.8	21	1 1/2	262
2	172	ø36	ø180	ø80	16	ø61.2	23	2	300

NO.	DATE	DESCRIPTION	PRP'D	REV'D	APP'D	MARKING SYSTEM	MSS-SP-25	INSPECTION & TEST: API 598
						FACE TO FACE	API 602	SHELL HYDRO 3046PSI
						WALL THICKNESS	BS1868	SEAT AIR 80PSI
						DESIGNED	API 602	BACK SEAT HYDRO 2234PSI
								NACE MR 0175

WILLIAM E. VALVE CORPORATION
WWW.WILLIAMSVALVE.COM

38-52 REVIEW AVENUE
LONG ISLAND CITY, NY 11101

TEL: 718-392-1660
FAX: 718-729-5106

TITLE: FORGED STAINLESS STEEL WELDED BONNET GLOBE VALVE - CLASS 800 - API TRIM 12

MATERIAL: F316 UNITS: Inch, mm
CLASS: 800 DATE: 01/01/12 SCALE: N.T.S.
SIZE: 1/2 - 2" FIG. No.: FS802TXS-62N 316 WB (sw. by thr. ends)
DRAWN BY: F.J. FS802SW-62N 316 WB (sw. ends)
FS802T-62N 316 WB (thr. ends)
CHK'D & APR'D BY: R.P. REV: 1 DWG No.: 50GL120098