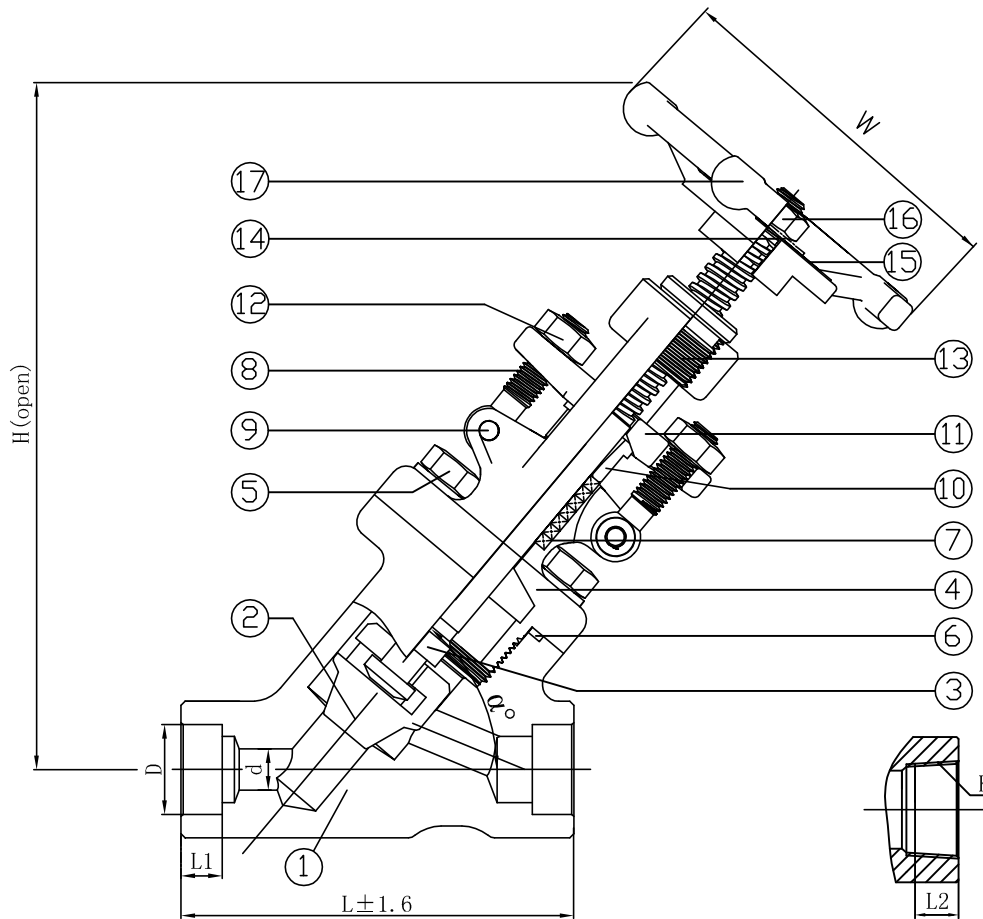


Class 800 OS&Y BB Y Pattern Globe Valve F316 (API Trim 12) NACE



BILL OF MATERIALS			
NO.	PART NAME	MATERIAL	QTY.
1	BODY	A182-F316 + HF	1
2	DISC	A276-F316	1
3	STEM	A276-F316	1
4	BONNET	F316	1
5	BONNET BOLT	A193 B8M	2
6	GASKET	304 + GRAPHITE	1
7	PACKING	GRAPHITE WITH CORROSION INHIBITOR & DIE FORMED RINGS	1 SET
8	GLAND BOLT	A193 B8M	2
9	GLAND BOLT PIN	A276-F316	2
10	PACKING FLANGE	A276-F316	1
11	GLAND FLANGE	F316	1
12	NUT	A194 8M	2
13	STEM NUT	A276 410	1
14	WASHER	A276 410	1
15	NAMEPLATE	STAINLESS STEEL	1
16	HAND WHEEL NUT	A108 1020	1
17	HAND WHEEL	A197	1

VALVE SIZE		L	d	D	L1	α	H	W	K	L2
DN	IN									
15	½"	98	ø10	ø21.8	10	55°	240	ø100	½"	15.5
20	¾"	98	ø13	ø27.2	13	55°	240	ø100	¾"	16.5
25	1"	120	ø18	ø33.9	13	55°	290	ø125	1"	19.5
32	1¼"	140	ø23	ø42.7	13	60°	302	ø160	1¼"	21
40	1½"	140	ø29	ø48.8	13	60°	368	ø160	1½"	21
50	2"	170	ø35	ø61.2	16	45°	370	ø180	2"	23

NO.	DATE	DESCRIPTION	PRP'D	REV'D	APP'D
Δ	1/1/12	ISSUED FOR PROPOSAL			

MARKING SYSTEM	MSS-SP-25	INSPECTION & TEST: API 598
FACE TO FACE	API 602	SHELL HYDRO 3046PSI
WALL THICKNESS	BS1868	SEAT AIR 80PSI
DESIGNED	API 602	BACK SEAT HYDRO 2234PSI
NACE MR 0175		

WILLIAM E. VALVE CORPORATION
 WWW.WILLIAMSVALVE.COM
 38-52 REVIEW AVENUE
 LONG ISLAND CITY, NY 11101
 TEL: 718-392-1660
 FAX: 718-729-5106

TITLE: FORGED STAINLESS STEEL BOLTED BONNET Y PATTERN GLOBE VALVE - CLASS 800 - API TRIM 12		
MATERIAL: F316	UNITS: Inch, mm	
CLASS: 800	DATE: 01/01/12	SCALE: N.T.S.
SIZE: 1/2 - 2"	FIG. No.: FS802YTXS-62N 316 (sw. by thr. ends) FS802YSW-62N 316 (sw. ends) FS802YT-62N 316 (thr. ends)	
DRAWN BY: F.J.		DWG No.: 50YGL120107
CHK'D & APR'D BY: R.P.	REV: 1	