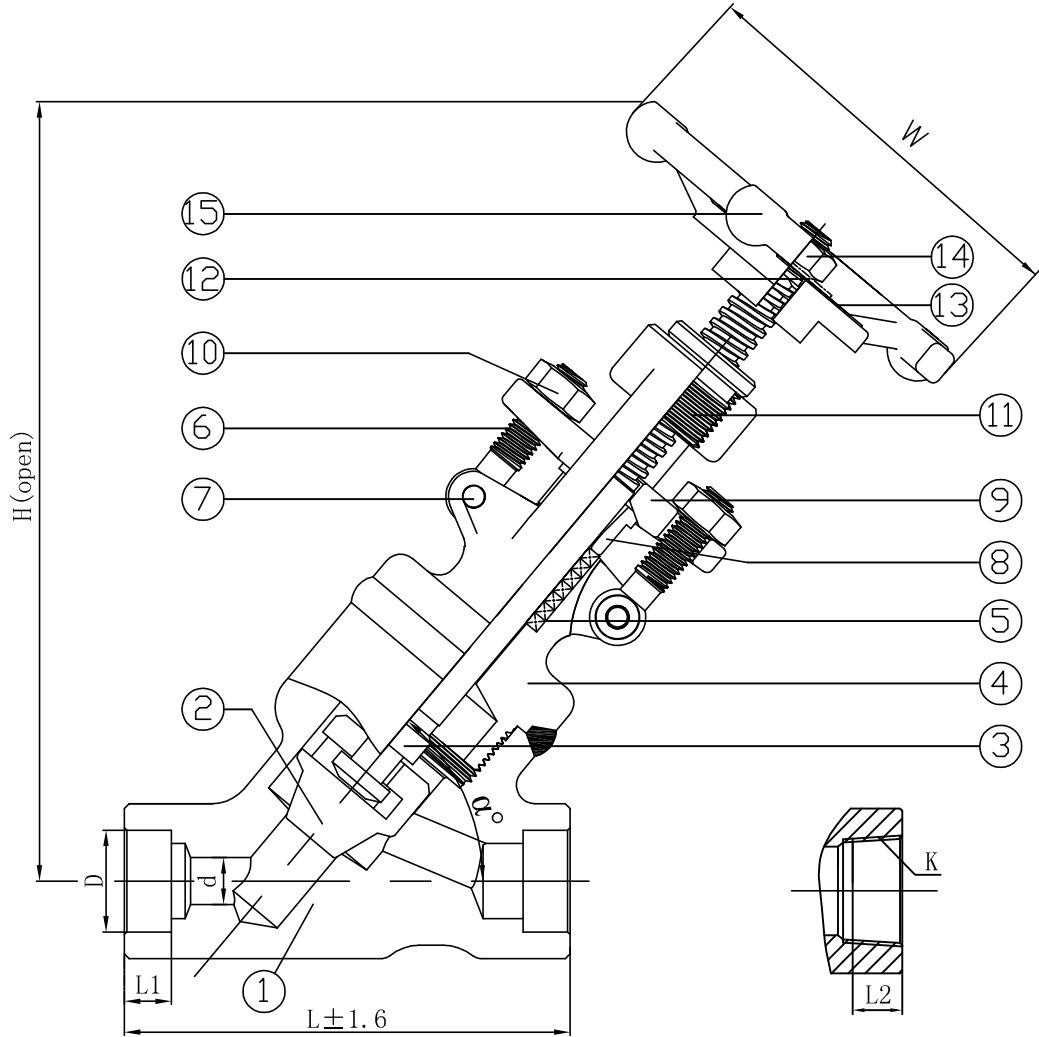


Class 800 OS&Y Welded Bonnet Y Pattern Globe Valve F316 (API Trim 12) NACE



VALVE SIZE	L	d	D	L1	α°	H	W	K	L2
15 1/2"	98	ø10	ø21.8	10	55°	240	ø100	1/2"	15.5
20 3/4"	98	ø13	ø27.2	13	55°	240	ø100	3/4"	16.5
25 1"	120	ø18	ø33.9	13	55°	290	ø125	1"	19.5
32 1 1/4"	140	ø23	ø42.7	13	60°	302	ø160	1 1/4"	21
40 1 1/2"	140	ø29	ø48.8	13	60°	368	ø160	1 1/2"	21
50 2"	170	ø35	ø61.2	16	45°	370	ø180	2"	23

BILL OF MATERIALS			
NO.	PART NAME	MATERIAL	QTY.
1	BODY	A182-F316 + HF	1
2	DISC	A276-F316	1
3	STEM	A276-F316	1
4	BONNET	F316	1
5	PACKING	GRAPHITE WITH CORROSION INHIBITOR & DIE FORMED RINGS	1 SET
6	GLAND BOLT	A193 B8M	2
7	GLAND BOLT PIN	A276-F316	2
8	PACKING FLANGE	A276-F316	1
9	GLAND FLANGE	F316	1
10	NUT	A194 8M	2
11	STEM NUT	A276 410	1
12	WASHER	A276 410	1
13	NAMEPLATE	STAINLESS STEEL	1
14	HAND WHEEL NUT	A108 1020	1
15	HAND WHEEL	A197	1

WILLIAM E. VALVE CORPORATION
 WWW.WILLIAMSVALVE.COM
 38-52 REVIEW AVENUE
 LONG ISLAND CITY, NY 11101
 TEL: 718-392-1660
 FAX: 718-729-5106

TITLE: FORGED STAINLESS STEEL WELDED BONNET Y PATTERN GLOBE VALVE - CLASS 800 - API TRIM 12			
MATERIAL: F316		UNITS: Inch, mm	
CLASS: 800	DATE: 01/01/12	SCALE: N.T.S.	
SIZE: 1/2 - 2"		FIG. No.: FS802YTXS-62N 316 WB (sw. by thr. ends) FS802YSW-62N 316 WB (sw. ends) FS802YT-62N 316 WB (thr. ends)	
DRAWN BY: F.J.		CHK'D & APR'D BY: R.P.	
		REV: 1	DWG No.: 50YGL120116

NO.	DATE	DESCRIPTION	PRP'D	REV'D	APP'D
Δ	1/1/12	ISSUED FOR PROPOSAL			

MARKING SYSTEM	MSS-SP-25	INSPECTION & TEST: API 598	
FACE TO FACE	API 602	SHELL	HYDRO 3046PSI
WALL THICKNESS	BS1868	SEAT	AIR 80PSI
DESIGNED	API 602	BACK SEAT	HYDRO 2234PSI
NACE MR 0175			